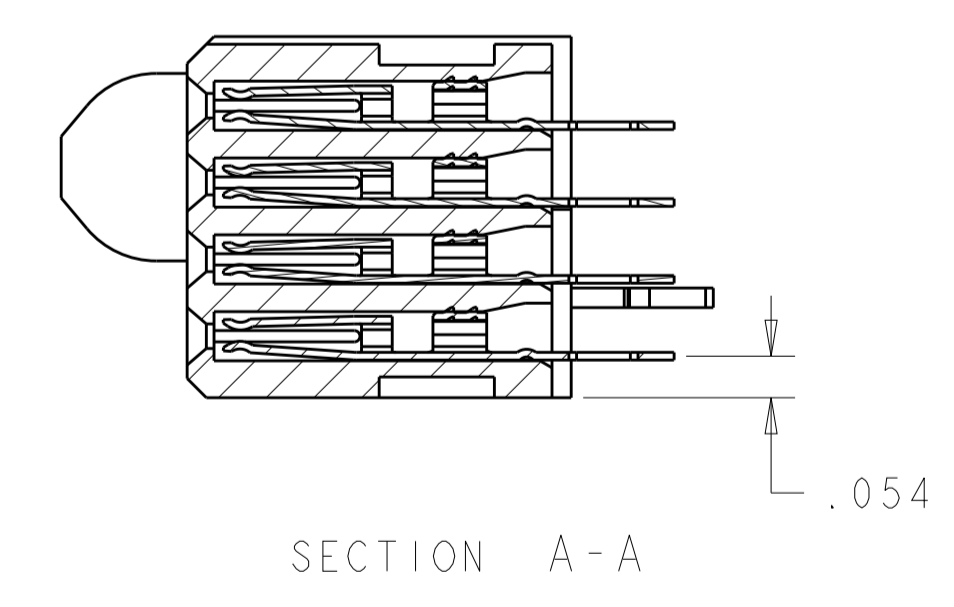
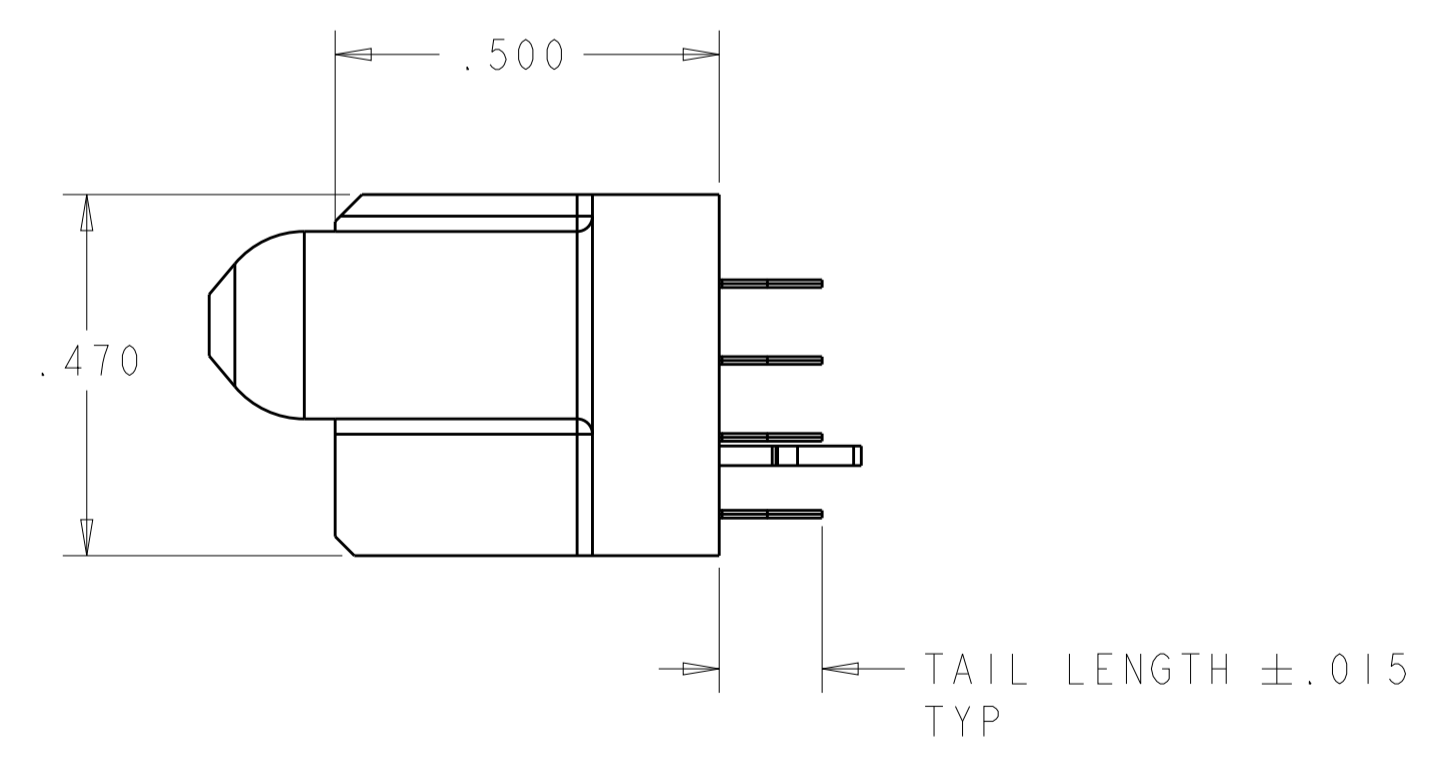
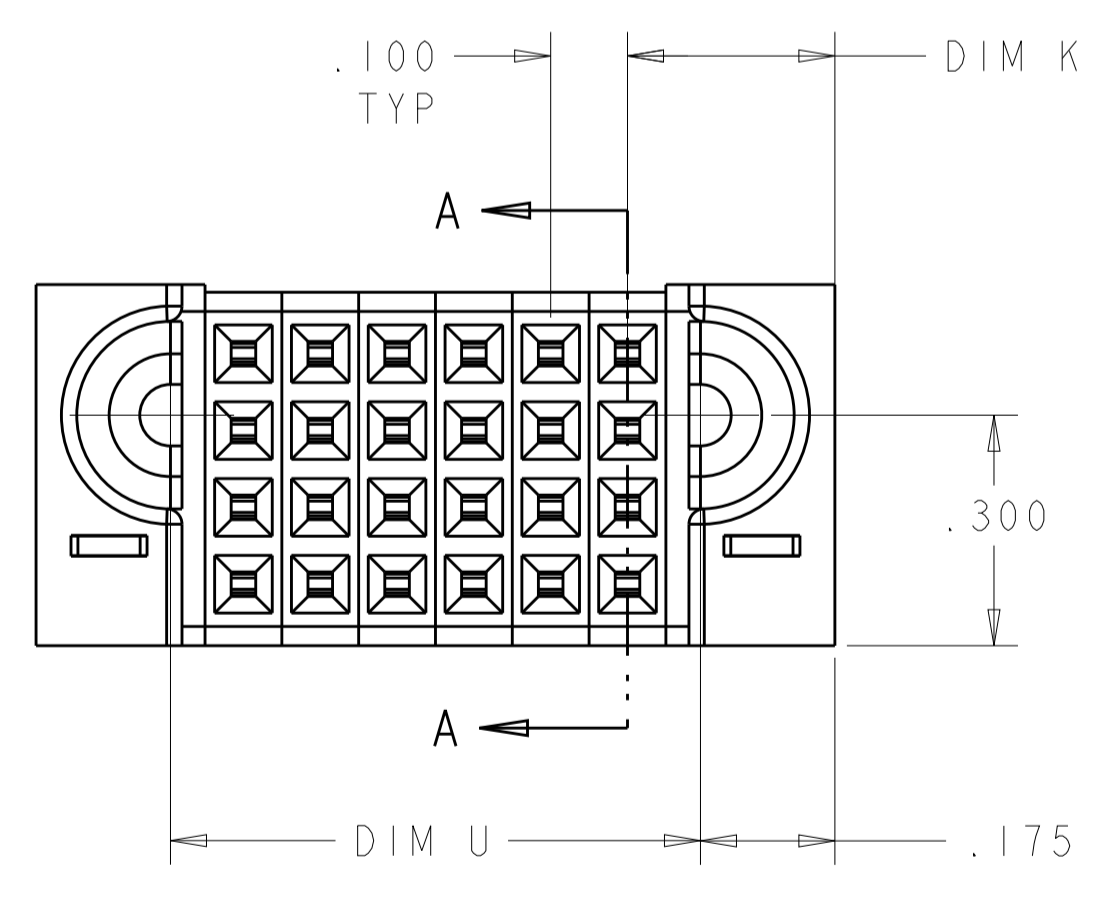
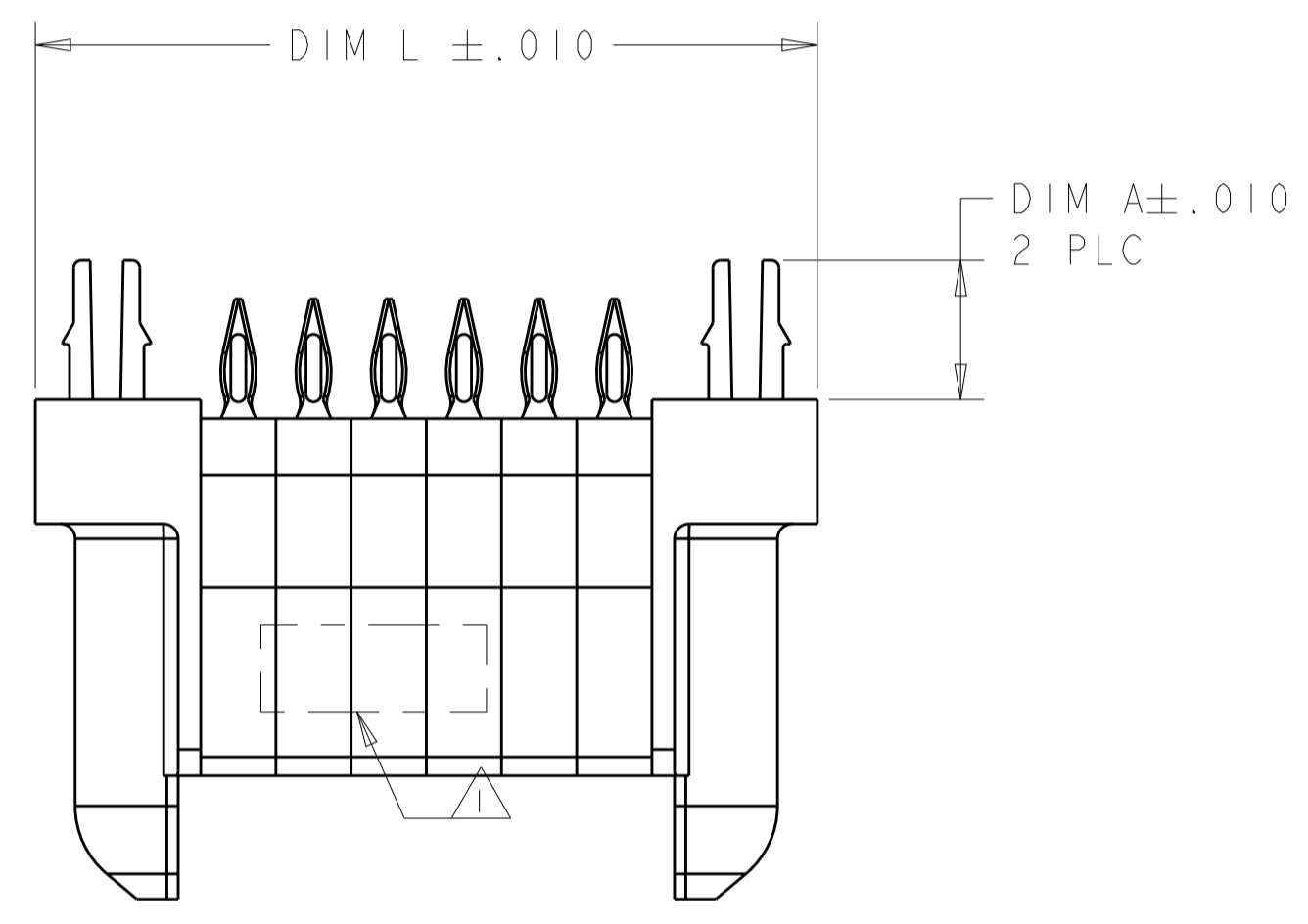
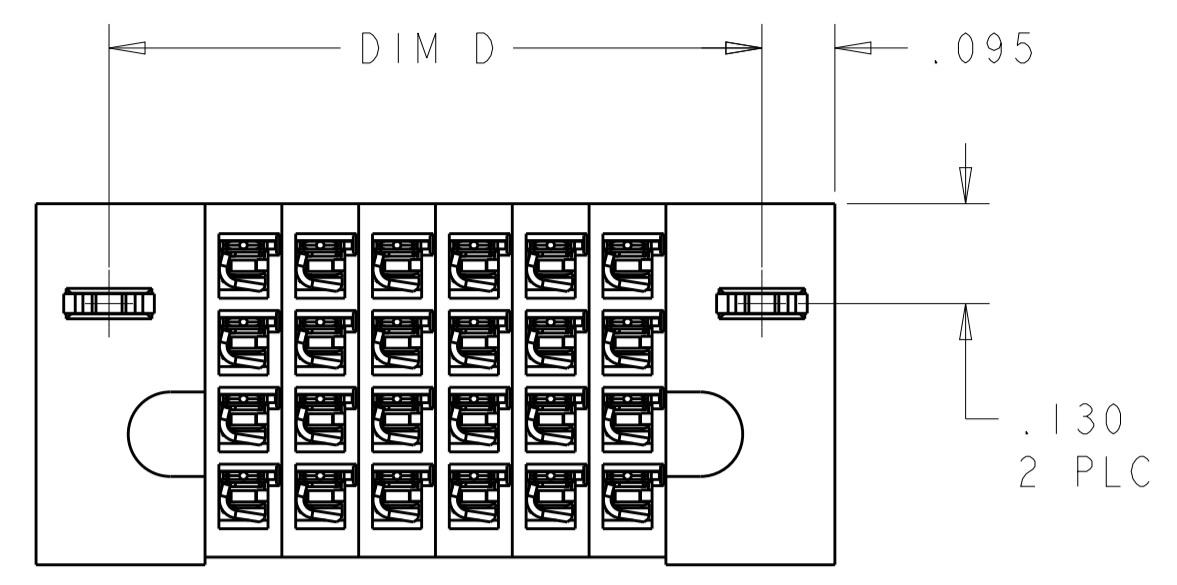


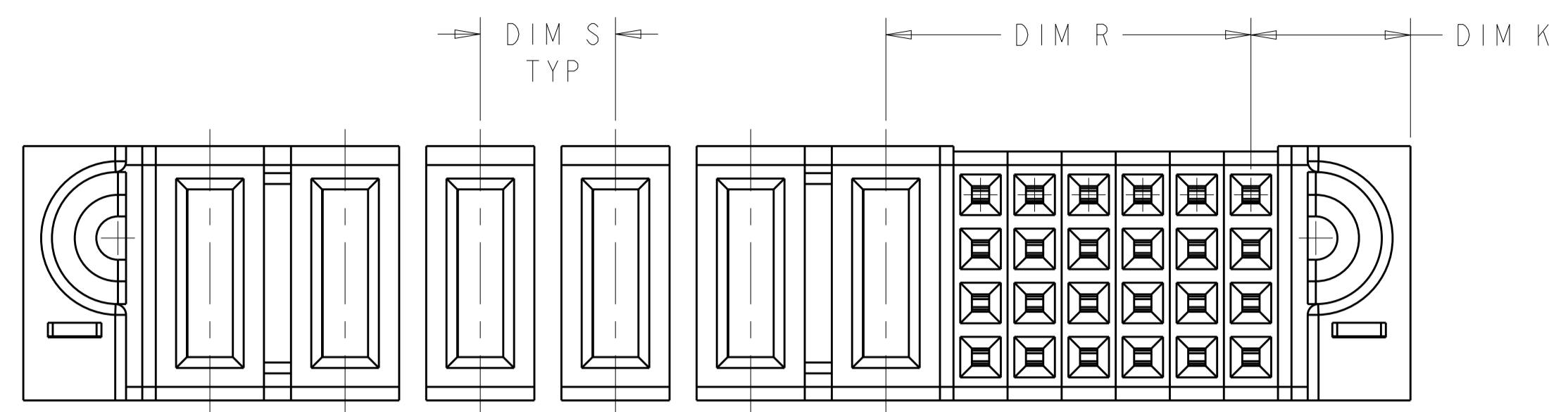
LOC		DIST		REVISIONS			
ES	00	P	LTH	DESCRIPTION	DATE	DMN	APVD
		G5		ADD NEW DASH NUMBER 1-8	11AUG2014	AL	SZ



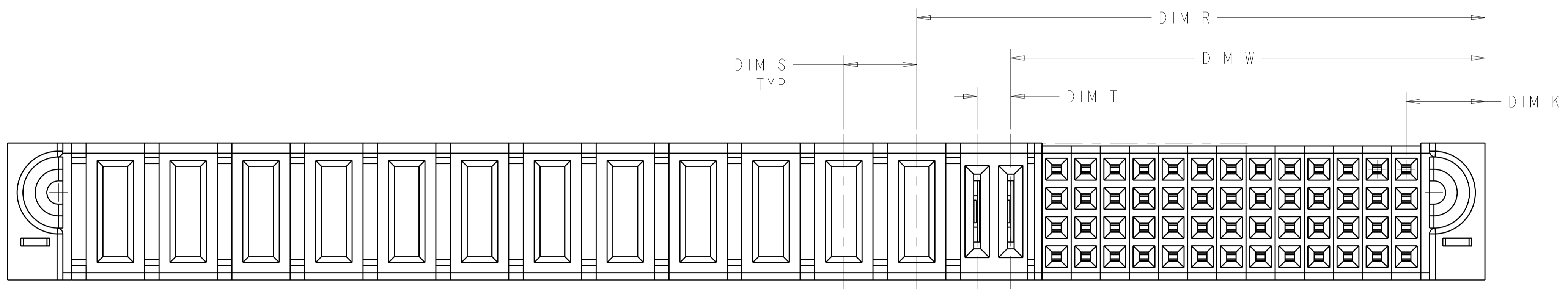
- 1 "AMP", PART NUMBER AND DATE CODE TO BE MARKED IN AREA SHOWN PARTS UNDER 2.00 LONG MAY BE MARKED ON BOTH SIDES
- 2 MATERIAL: HOUSING - GLASS FILLED HIGH TEMP THERMO PLASTIC, UL94 V-0
 SIGNAL CONTACT - HIGH CONDUCTIVITY COPPER ALLOY
 POWER CONTACT - HIGH CONDUCTIVITY COPPER ALLOY
- 3 CONTACT PLATING: NOBLE METAL PLATING ON CONTACT FUNCTIONAL AREA OF POWER AND SIGNAL CONTACTS
- 4 MECHANICAL CONNECTOR KEEP OUT ZONE
- 5 DATUM AND BASIC DIMENSIONS ESTABLISHED BY CUSTOMER
- 6 PCB - ALL HOLE DIAMETERS ARE FINISHED HOLE SIZES
- 7 PCB - 0.0453 ±.0010 DRILLED HOLES PLATED WITH .0003 MIN Sn OVER .001 TO .003 Cu PLATING TO ACHIEVE A .040 ±.0030 HOLE
- 8 FOR "S+P" CONFIGURATION ,VARIABLE DIMENSIONS PLEASE REFER TO SHEET 2
- 9 FOR "S+LP+P" CONFIGURATION ,VARIABLE DIMENSIONS PLEASE REFER TO SHEET 2
- 10 VARIABLE DIMENSION REFER TO THE DIMENSION ON CORRRESPONDING MODEL UNDER THE PCB

THIS DRAWING IS A CONTROLLED DOCUMENT.		DMN C. ZHOU CHK S. ZHAO	20JUN2012 20JUN2012	TE Connectivity
DIMENSIONS: INCHES	TOLERANCES UNLESS OTHERWISE SPECIFIED:	APVD	NAME	
0 PLC ±. 1 PLC ±. 2 PLC ±. 3 PLC ±.005 4 PLC ±.0020 ANGLES ±.7°	PRODUCT SPEC 108-2292 APPLICATION SPEC 114-13251	VERTICAL RECEPTACL ASSEMBLY WITH SHORT GUIDE,PRESS FIT MULTI-BEAM XLE		
MATERIAL	FINISH	WEIGHT	SIZE	RESTRICTED TO
			A1 00779 C=6450861 Customer Drawing	SCALE 1:1 SHEET 1 OF 11 REV G5

LOC		DIST		REVISIONS				
ES	00	P	LTH	DESCRIPTION	DATE	DNW	APVD	
		-		SEE SHEET 1				



△ FOR "S + P" CONFIGURATION
 UNSPECIFIED DIMENSIONS REFER TO SHEET 1.



△ FOR "S + LP + P" CONFIGURATION
 UNSPECIFIED DIMENSIONS REFER TO SHEET 1.

△65	.185	-	-	-	-	1.640	1.290	1.450	.270	48S	1-6450861-8
	.128	-	-	△10	.475 △8	1.990	1.640	1.800	.270	16S + 4P	1-6450861-7
	.185	-	-	-	-	.840	.490	.650	.270	16S	1-6450861-6
	.185	-	-	.200 △8	.675 △8	1.865	1.515	1.675	.270	24S + 4P	1-6450861-5
	.185	-	-	-	-	2.140	1.790	1.950	.320	64S	1-6450861-4
	.185	-	-	.250 △8	.475 △8	3.840	3.490	3.650	.295	16S + 12P	1-6450861-3
	.185	-	-	.300 △8	.875 △8	2.465	2.115	2.275	.320	32S + 4ACP	1-6450861-2
	.185	-	-	.250 △8	.475 △8	3.340	2.990	3.150	.295	16S + 10P	1-6450861-1
	.185	-	-	.250 △8	.675 △8	2.040	1.690	1.850	.270	24S + 4P	6450861-9
	.185	-	-	.250 △8	.475 △8	1.440	1.090	1.250	.320	16S + 2P	6450861-8
	.185	.115 △9	1.6275 △9	.250 △9	1.950 △9	5.070	4.720	4.880	.270	52S + 2LP + 12P	6450861-6
	.185	-	-	.250 △8	.675 △8	3.065	2.715	2.875	.295	24S + 8P	6450861-5
	.185	-	-	.250 △8	.675 △8	2.565	2.215	2.375	.295	24S + 6P	6450861-4
	.185	-	-	.250 △8	.675 △8	2.565	2.215	2.375	.295	24S + 6P	6450861-3
	.185	-	-	-	-	2.240	1.890	2.050	.270	72S	6450861-2
	.185	-	-	-	-	1.040	.690	.850	.270	24S	6450861-1
	DIM A	DIM T	DIM W	DIM S	DIM R	DIM L	DIM U	DIM D	DIM K	DESCRIPTION	PART NUMBER

THIS DRAWING IS A CONTROLLED DOCUMENT.

DNW: C. ZHOU
 CHK: S. ZHAO
 APVD: S. YAO

PRODUCT SPEC: 108-2292
 APPLICATION SPEC: 114-13058

SIZE: A1
 CAGE CODE: 6450861
 DRAWING NO: 00779

SCALE: 4:1
 SHEET: 2 OF 11
 REV: 66

CUSTOMER DRAWING

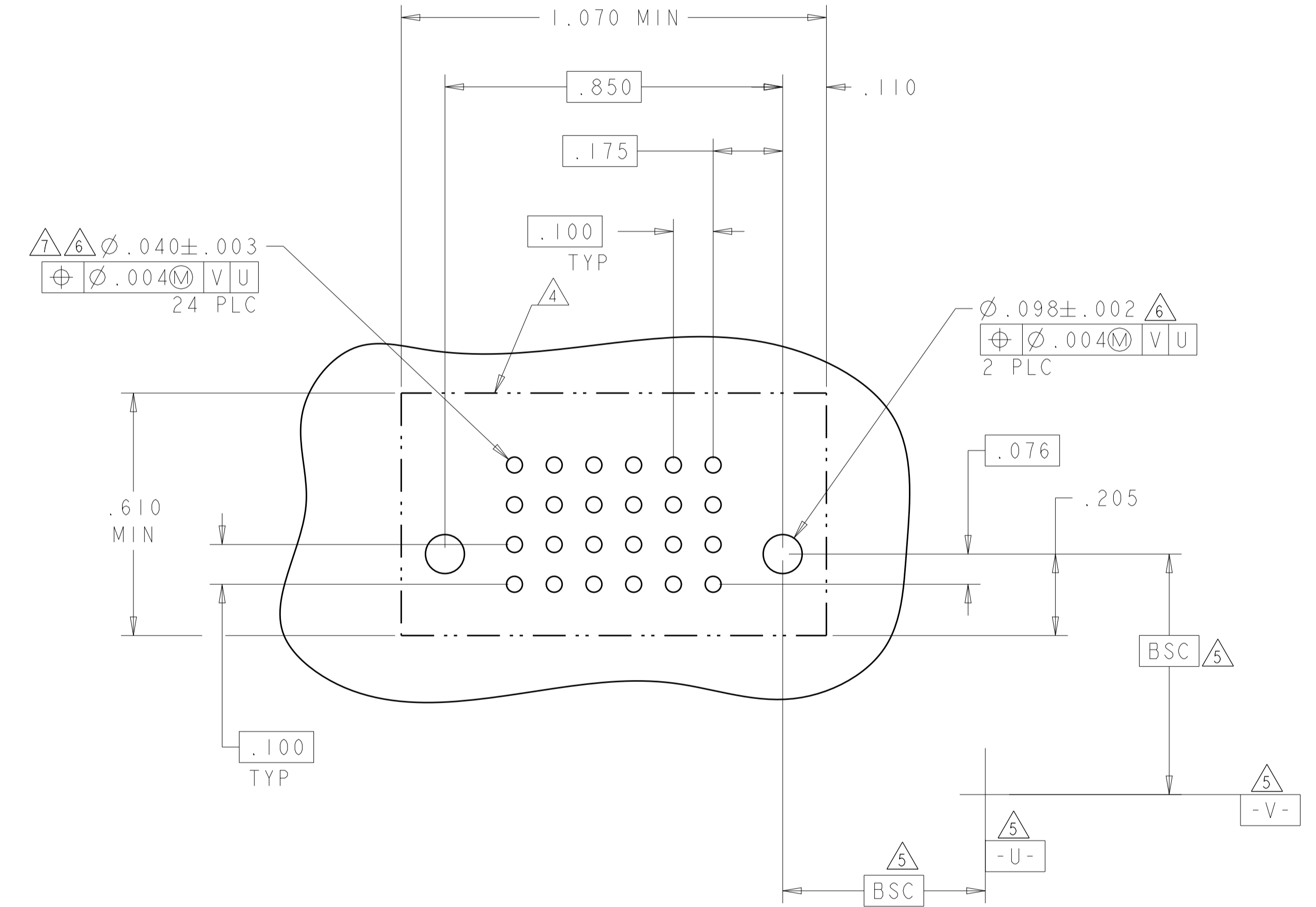
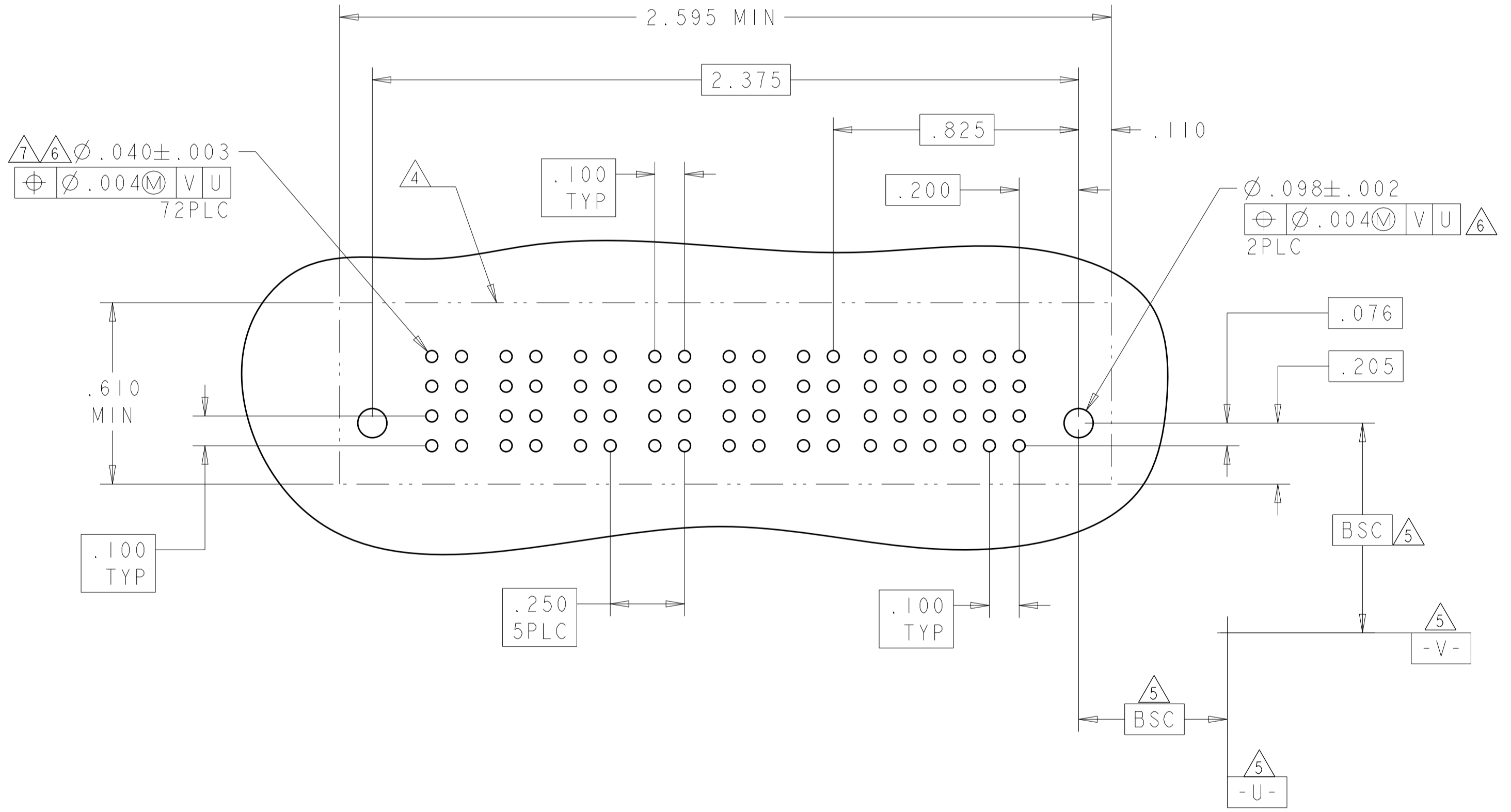
STE TE Connectivity

VERIFIED BY: EPER S&CMB ASSEMBLY
 W/ WITH ISH FOR TO GOLDEN, PRESSURE FIT
 MULTI-MATERIAL - XLE

LOC	DIST	REVISIONS			
P	LTN	DESCRIPTION	DATE	DMN	APVD
ES	00	SEE SHEET 1			

PART NUMBER	ROWS	POWER						SIGNAL							
		P6	P5	P4	P3	P2	P1	6	5	4	3	2	1		
6450861-3	D C B A	GS	GS	GS	GS	GS	GS	AP	AP	AP	AP	AP	AP	HD	HD
								AP	AP	AP	AP	AP	AP		
								AP	AP	AP	AP	AP	AP		
24S + 6P															

PART NUMBER	ROWS	SIGNAL							
		6	5	4	3	2	1		
6450861-1	D C B A	AP	AP	AP	AP	AP	AP	HD	HD
		AP	AP	AP	AP	AP	AP		
		AP	AP	AP	AP	AP	AP		
		AP	AP	AP	AP	AP	AP		
24S									



CODE	CONTACT TABLE
HS	STD POWER PRESS FIT CONTACT .165"
BP	SIGNAL PRESS FIT CONTACT .165"
AP	SIGNAL PRESS FIT CONTACT .135"
GP	MFBL POWER PRESS FIT CONTACT .135"
GS	STD POWER PRESS FIT CONTACT .135"
TAIL LENGTH	

THIS DRAWING IS A CONTROLLED DOCUMENT.

DIMENSIONS: INCHES	TOLERANCES UNLESS OTHERWISE SPECIFIED: 0 PLC ±. 1 PLC ±.01 2 PLC ±.01 3 PLC ±.005 4 PLC ±.002 ANGLES ±.2°	DMN: C. ZHOU CHK: S. ZHAO APVD: S. YAO	REV: 00	DATE: 08-22-92	SCALE: 4:1	SHEET: 3 OF 11	REV: G5
-----------------------	---	--	---------	----------------	------------	----------------	---------

STE TE Connectivity

VERVE GABE REPER S&CMB ASSEMBLY WITH HS FOR TO LOUDEDSE, PRESSURE FIT MULTIPLE LAMINATE XLE

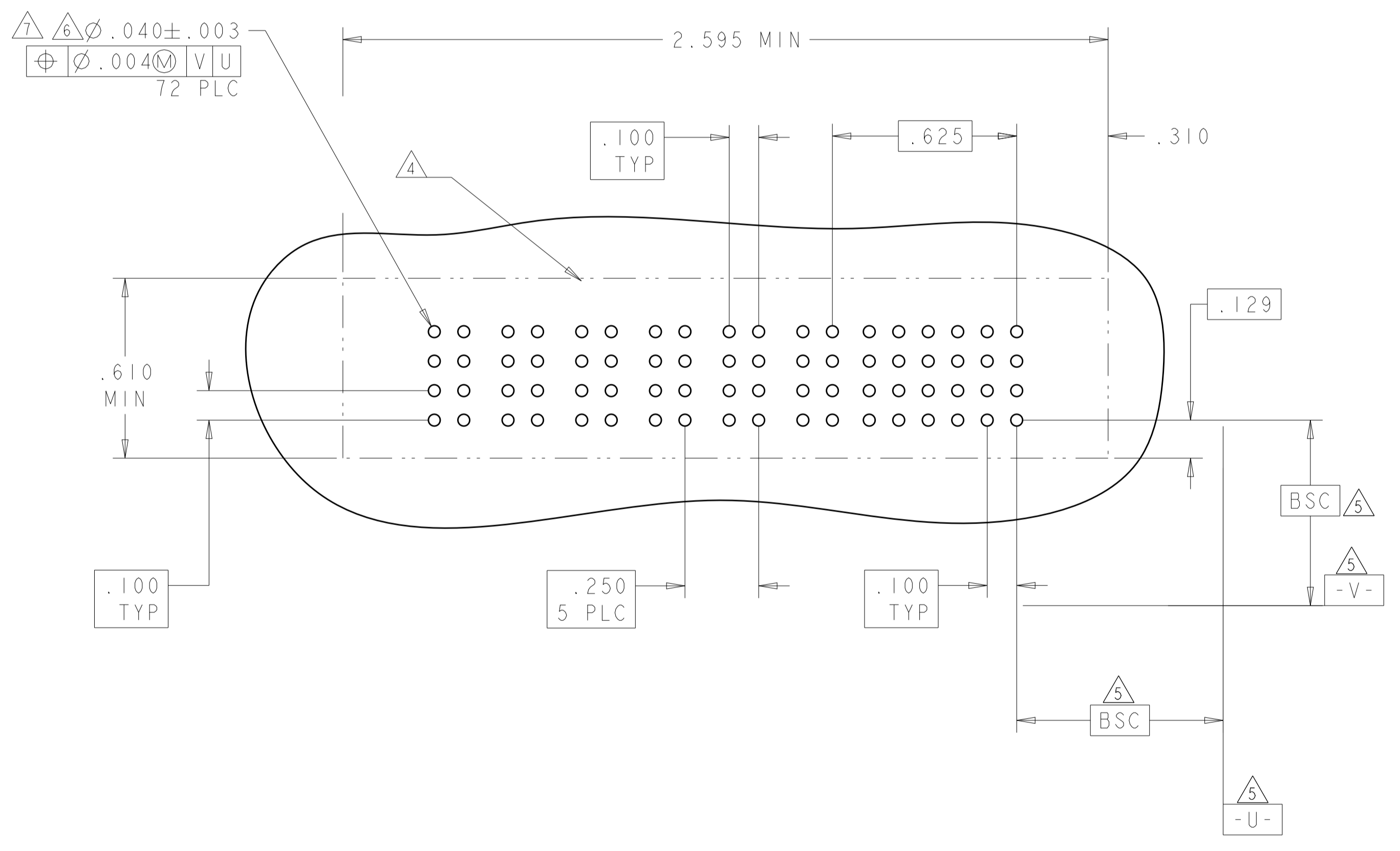
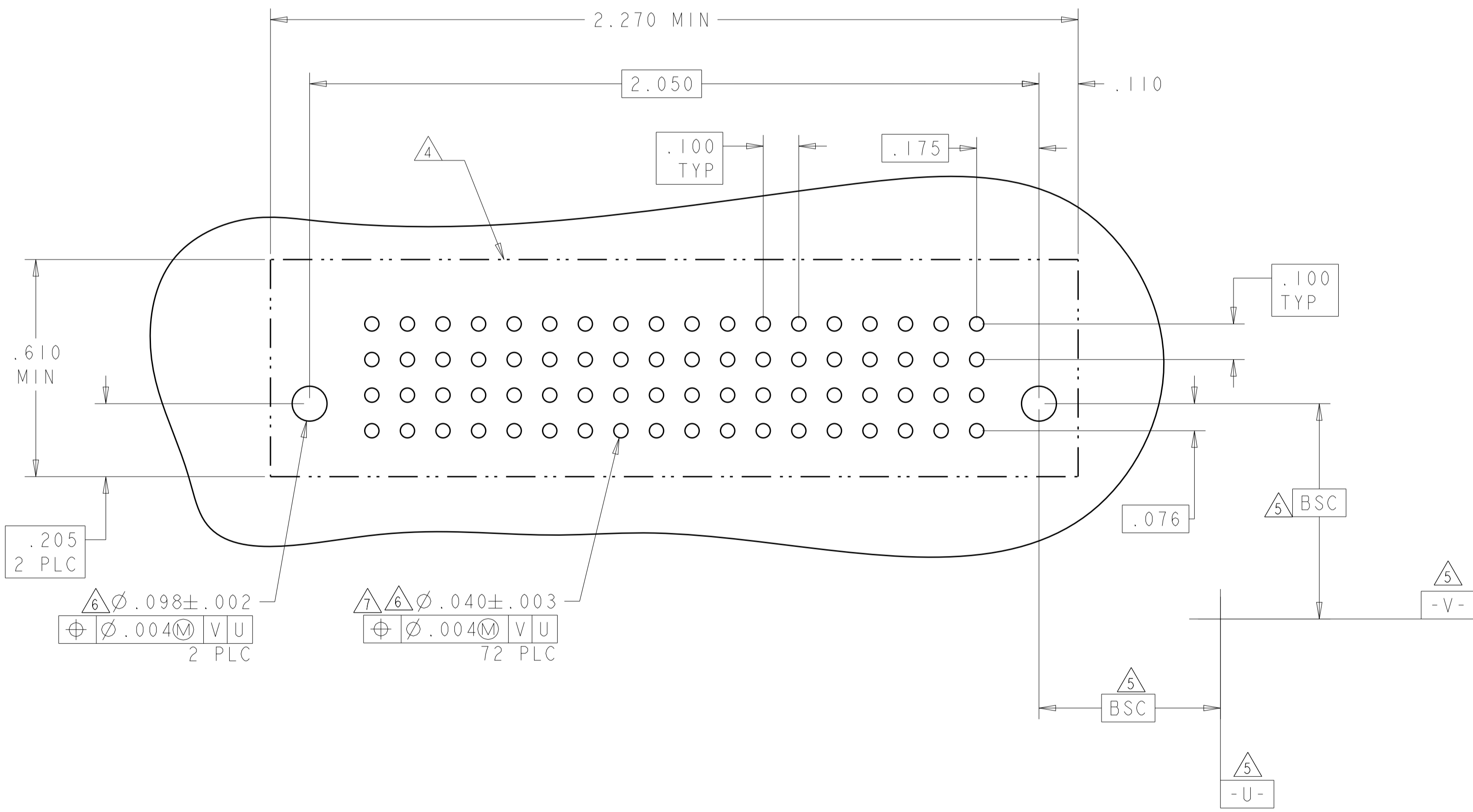
SIZE: 114-13058
WEIGHT: 100779
CAGE CODE: 6450861

CUSTOMER DRAWING

LOC	DIST	REVISIONS			
ES	00	REV	DATE	BY	APPV
		1	SEE SHEET 1		

PART NUMBER	ROWS	SIGNAL																	
		18	17	16	15	14	13	12	11	10	9	8	7	6	5	4	3	2	1
6450861-2	D C B A	AP	AP	AP	AP	AP	AP	AP	AP	AP	AP	AP	AP	AP	AP	AP	AP	AP	AP
		AP	AP	AP	AP	AP	AP	AP	AP	AP	AP	AP	AP	AP	AP	AP	AP	AP	AP
		AP	AP	AP	AP	AP	AP	AP	AP	AP	AP	AP	AP	AP	AP	AP	AP	AP	AP
		AP	AP	AP	AP	AP	AP	AP	AP	AP	AP	AP	AP	AP	AP	AP	AP	AP	AP
72S																			

PART NUMBER	ROWS	POWER						SIGNAL					
		P6	P5	P4	P3	P2	P1	6	5	4	3	2	1
6450861-4	D C B A	GS	GS	GS	GS	GS	GS	AP	AP	AP	AP	AP	AP
		GS	GS	GS	GS	GS	GS	AP	AP	AP	AP	AP	AP
		GS	GS	GS	GS	GS	GS	AP	AP	AP	AP	AP	AP
		GS	GS	GS	GS	GS	GS	AP	AP	AP	AP	AP	AP
24S + 6P													



THIS DRAWING IS A CONTROLLED DOCUMENT.		OWN: C. ZHOU	8080N2008	STE TE Connectivity
DIMENSIONS: INCHES		CHK: S. ZHAO	8080N2008	
TOLERANCES UNLESS OTHERWISE SPECIFIED:		APVD: S. YAO		NAME: VERVE GABE REVERSE SMT ASSEMBLY W/ WITH ISH FOR TO GOLDEN, PRESSURE FIT MULTI-MATERIAL - XLE
0 PLC ± .01		PRODUCT SPEC: 108-2292		
1 PLC ± .01		APPLICATION SPEC: 114-13058		
2 PLC ± .01		WEIGHT: -		
3 PLC ± .005		SCALE: 4:1		SHEET 4 OF 11
4 PLC ± .002		CAGE CODE: 6450861		
ANGLES: ± 2°		CUSTOMER DRAWING		REV: 66

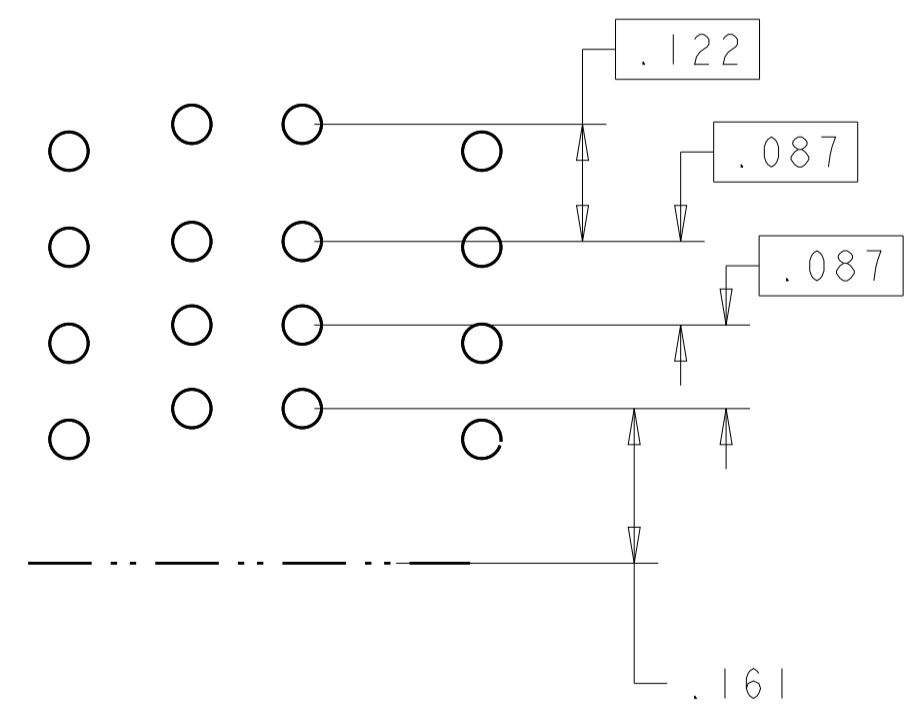
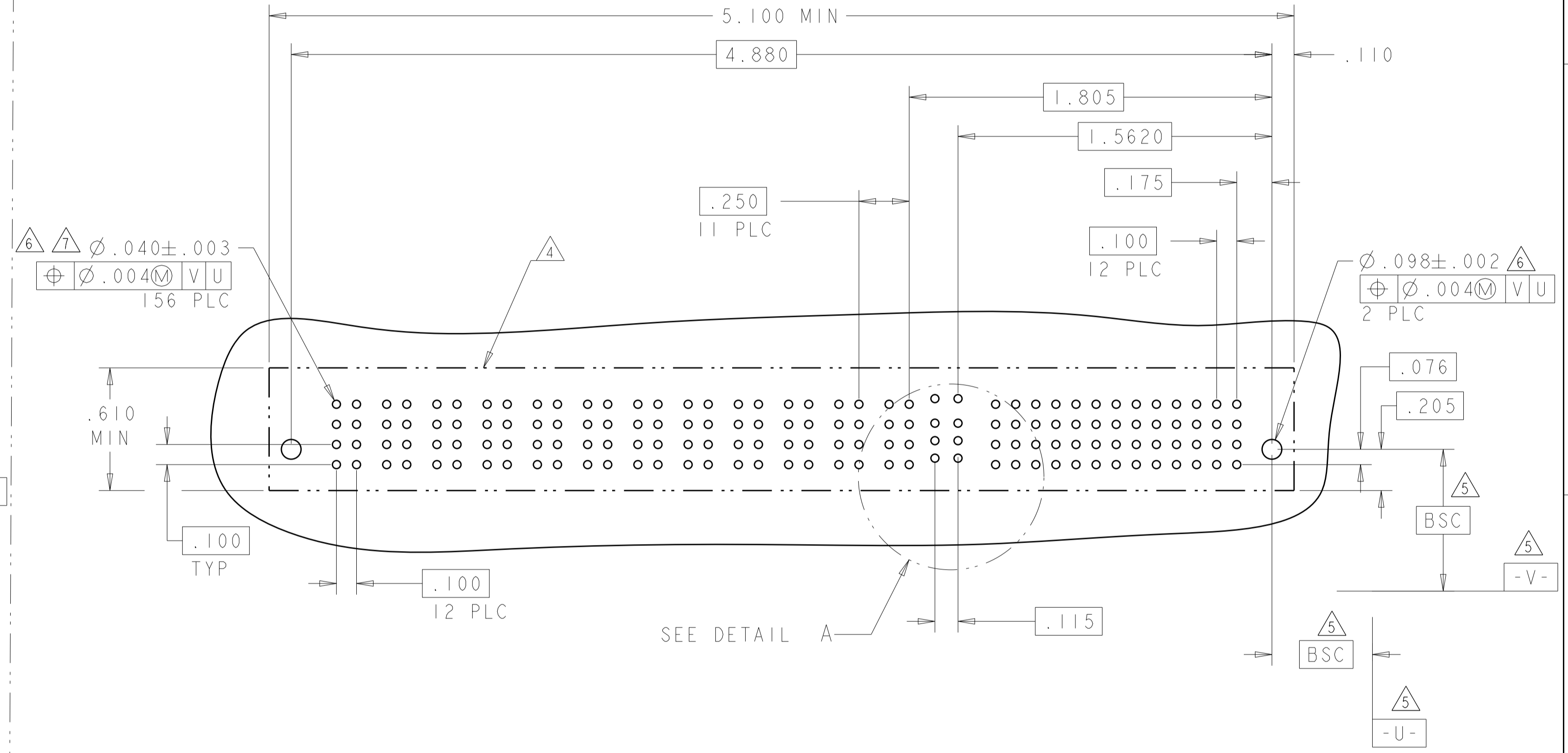
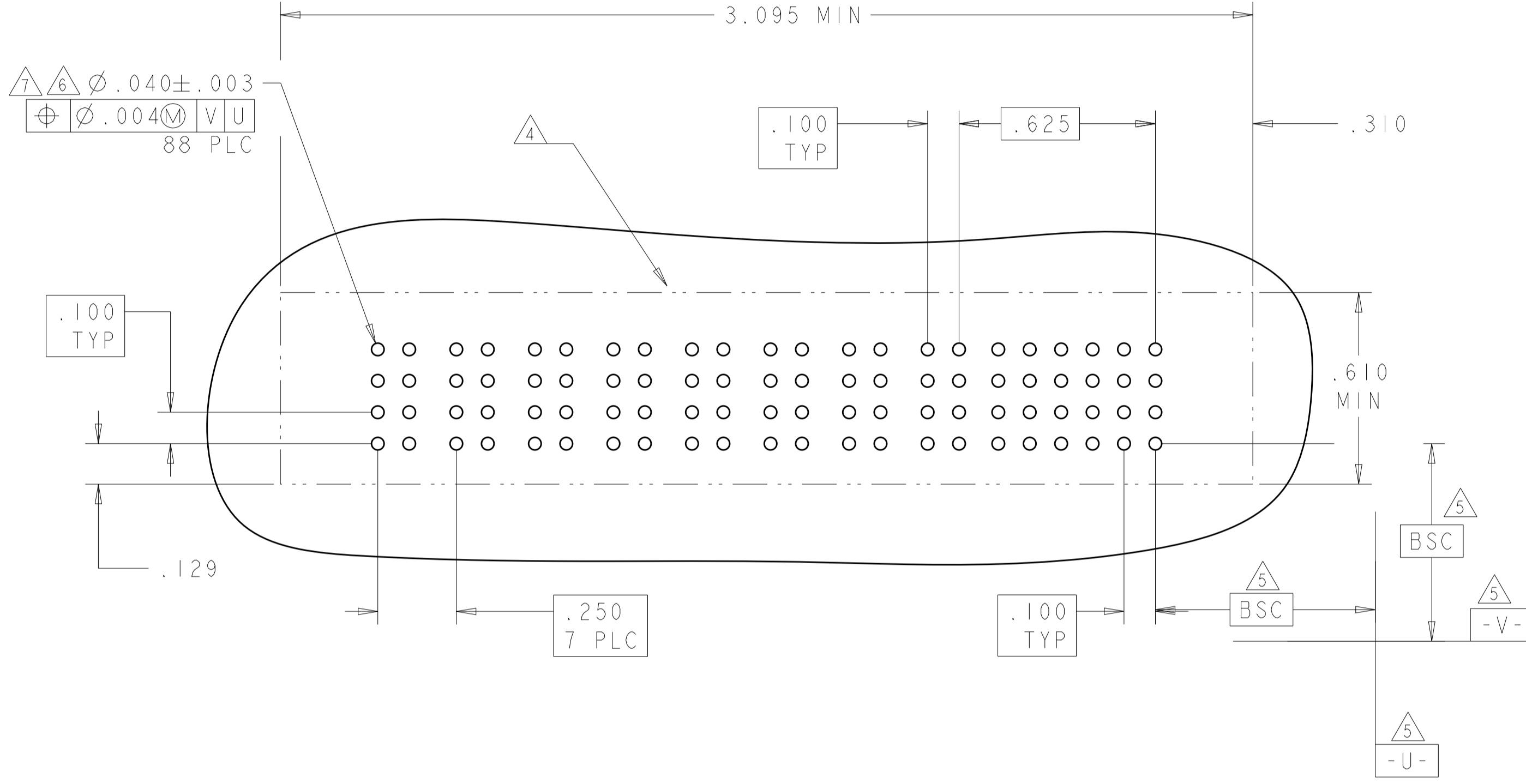
LOC	DIST	REVISIONS			
P	LTN	DESCRIPTION	DATE	DWN	APVD
-	-	SEE SHEET 1	-	-	-

PART NUMBER	ROWS	POWER								SIGNAL					
		P8	P7	P6	P5	P4	P3	P2	P1	6	5	4	3	2	1
6450861-5	D C B A	GS	GS	GS	GS	GS	GS	GS	GS	AP	AP	AP	AP	AP	AP
		GS	GS	GS	GS	GS	GS	GS	GS	AP	AP	AP	AP	AP	AP
		GS	GS	GS	GS	GS	GS	GS	GS	AP	AP	AP	AP	AP	AP

24S + 8P

PART NUMBER	ROWS	POWER												SIGNAL																							
		P12	P11	P10	P9	P8	P7	P6	P5	P4	P3	P2	P1	LP2	LPI	13	12	11	10	9	8	7	6	5	4	3	2	1									
6450861-6	D C B A	GS	GS	GS	GS	GS	GS	GS	GS	GS	GS	GS	GS	GS	LS1	LS1	AP	AP	AP	AP	AP	AP	AP	AP	AP	AP	AP	AP	AP	AP	AP	AP	AP	AP	AP	AP	AP
		GS	GS	GS	GS	GS	GS	GS	GS	GS	GS	GS	GS	GS	LS1	LS1	AP	AP	AP	AP	AP	AP	AP	AP	AP	AP	AP	AP	AP	AP	AP	AP	AP	AP	AP	AP	AP
		GS	GS	GS	GS	GS	GS	GS	GS	GS	GS	GS	GS	GS	LS1	LS1	AP	AP	AP	AP	AP	AP	AP	AP	AP	AP	AP	AP	AP	AP	AP	AP	AP	AP	AP	AP	AP

52S + 2LP + 12P



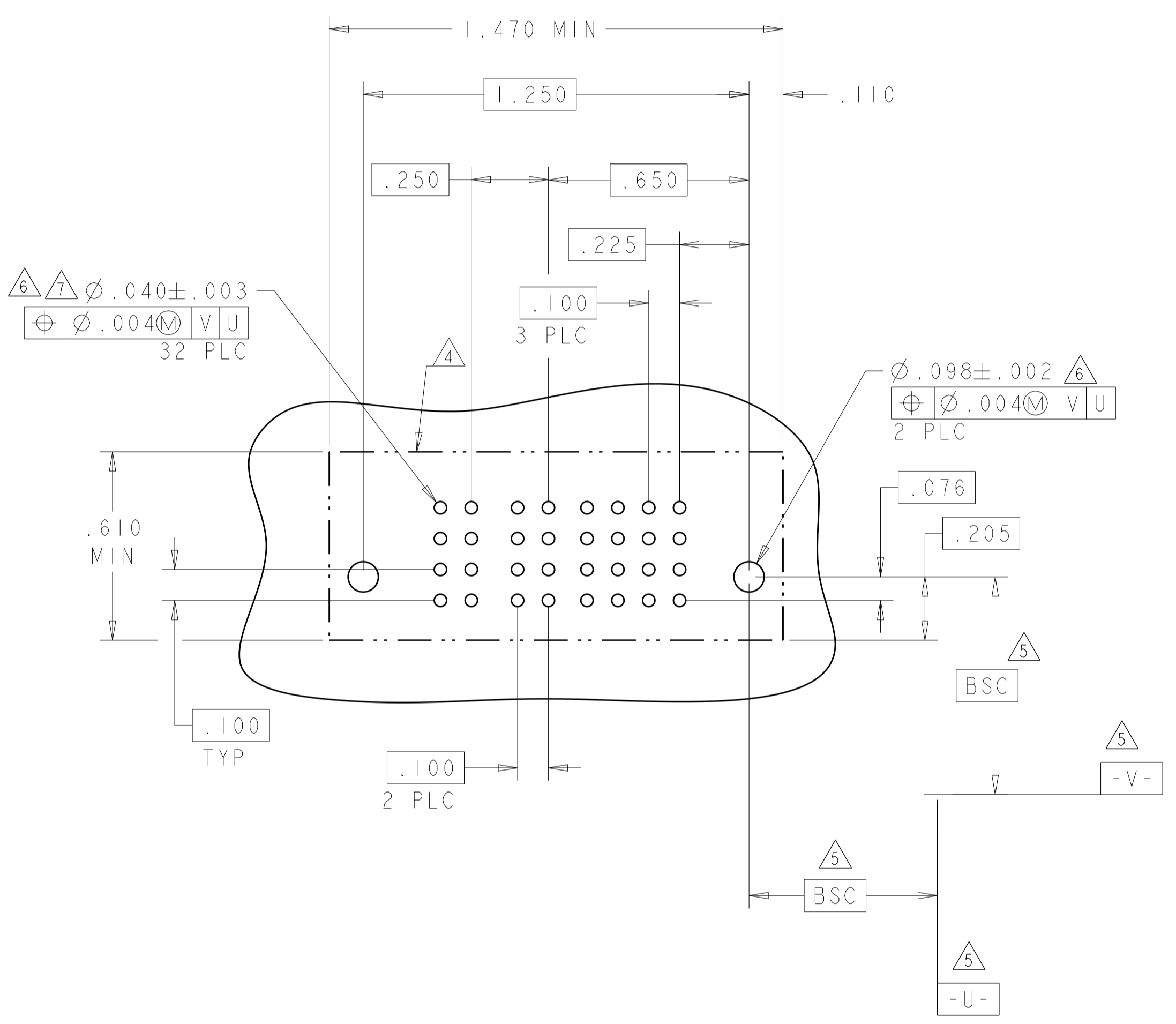
DETAIL A
SCALE 5:1

THIS DRAWING IS A CONTROLLED DOCUMENT.		DWN C. ZHOU CHK S. ZHAO	88MNR2008 88MNR2008	 TE Connectivity
DIMENSIONS: INCHES		TOLERANCES UNLESS OTHERWISE SPECIFIED:		
		0 PLC ±. 1 PLC ±.01 2 PLC ±.01 3 PLC ±.005 4 PLC ±.002 ANGLES ±.020 FINISH		NAME VERVIEWER REVERSE ASSEMBLY WITH HSH FOR TIG WELDED, PRESS FIT MULTI-MATERIAL XLE
MATERIAL		APVD S. YAO	PRODUCT SPEC 108-2292	SIZE A100779
		APPLICATION SPEC 114-13098	RESTRICTED TO	SCALE 4:1
		WEIGHT	CUSTOMER DRAWING	SHEET 5 OF 11
				REV 66

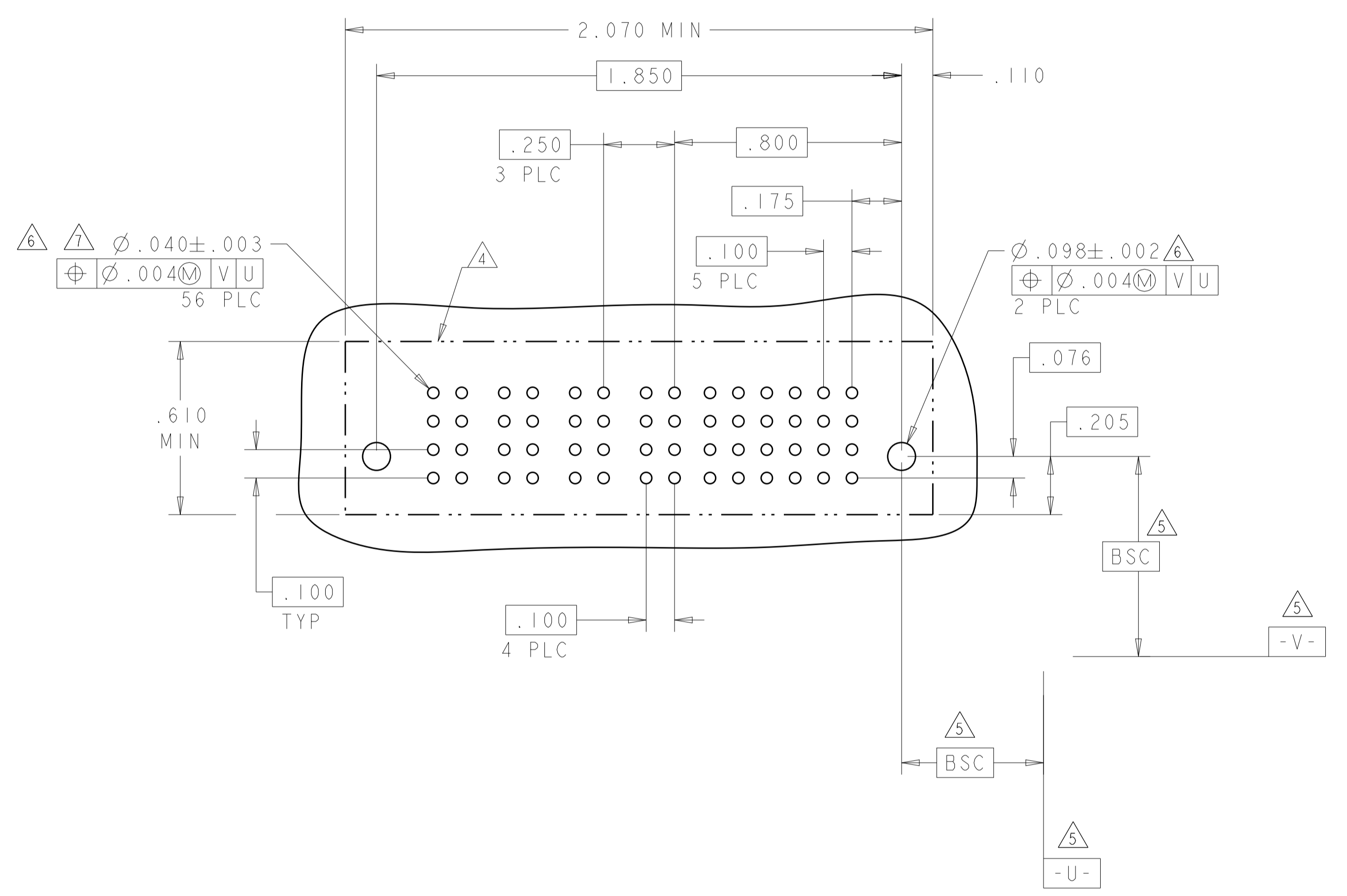
LOC	DIST	REVISIONS			
P	LTH	DESCRIPTION	DATE	OWN	APVD
ES	00	SEE SHEET 1			

PART NUMBER	ROWS	POWER		SIGNAL				HD
		P2	P1	4	3	2	1	
6450861-8	D C B A	GS	GS	AP	AP	AP	AP	HD
				AP	AP	AP	AP	
				AP	AP	AP	AP	
				AP	AP	AP	AP	
16S + 2P								

PART NUMBER	ROWS	POWER				SIGNAL						HD
		P4	P3	P2	P1	6	5	4	3	2	1	
6450861-9	D C B A	GP	GP	GP	GP	AP	AP	AP	AP	AP	AP	HD
						AP	AP	AP	AP	AP	AP	
						AP	AP	AP	AP	AP	AP	
						AP	AP	AP	AP	AP	AP	
24S + 4P												



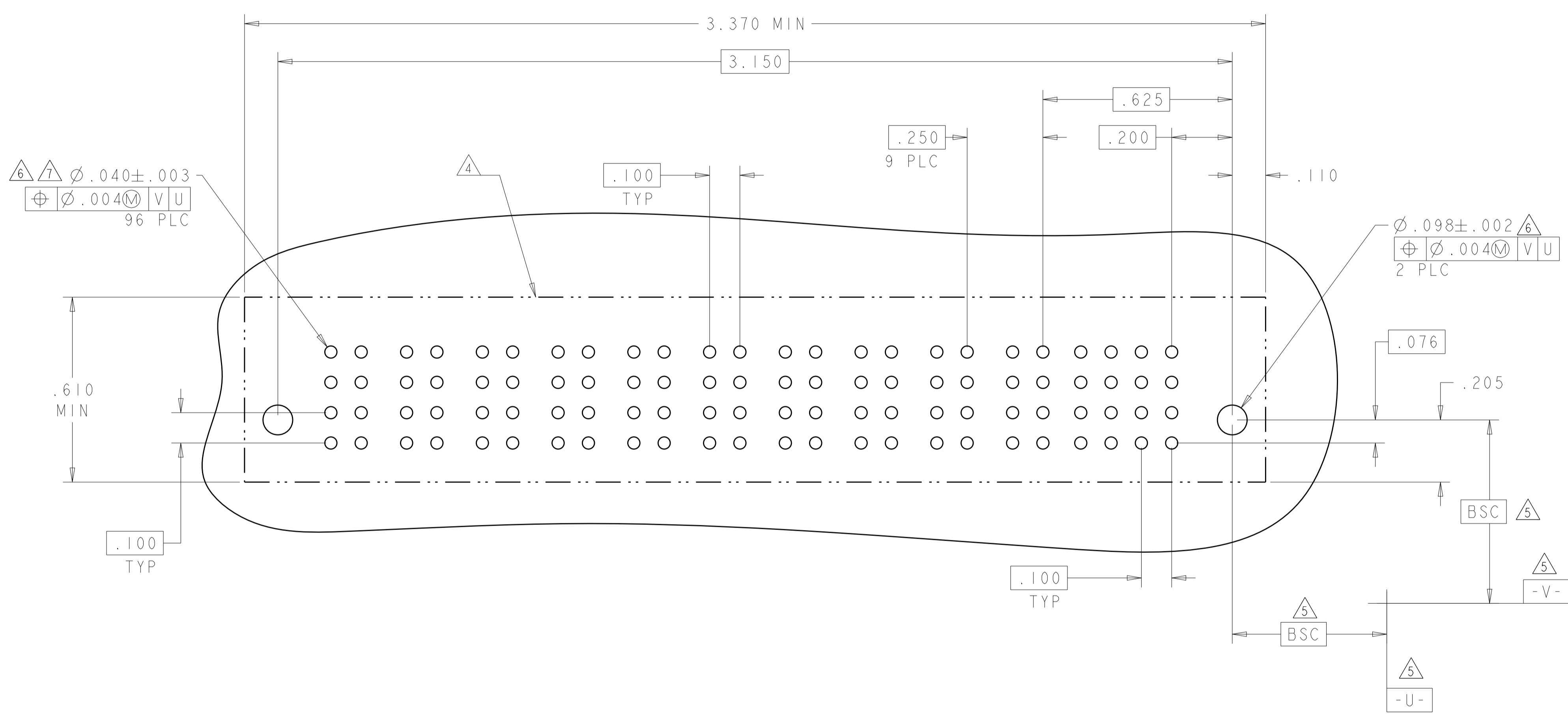
(F)



THIS DRAWING IS A CONTROLLED DOCUMENT.		OWN: C. ZHOU CHK: S. ZHAO APVD: S. YAO	8080N2008 8080N2008	 TE Connectivity
DIMENSIONS: INCHES	TOLERANCES UNLESS OTHERWISE SPECIFIED:	PRODUCT SPEC: 108-2292 APPLICATION SPEC: 114-13058 WEIGHT: - MATERIAL: - FINISH: -		
0 PLC ±. 1 PLC ±. 2 PLC ±.01 3 PLC ±.005 4 PLC ±.0020 ANGLES ±2°		NAME: VERVE GABE REPER S&C M&S ASSEMBLY W/ WITH H&R FOR TO GILD EDGE, H&R S&S FINIT MULTI H&R L&M H&R L&M XLE		RESTRICTED TO
CUSTOMER DRAWING		SCALE: 4:1	SHEET 6 OF 11	REV: 66

LOC	DIST	REVISIONS			
		REV	DATE	BY	APPD
ES	00	-	-	-	-
		SEE SHEET 1			

PART NUMBER	ROWS	POWER										SIGNAL			
		P10	P9	P8	P7	P6	P5	P4	P3	P2	P1	4	3	2	1
I-6450861-1	D C B A	GS	GS	GS	GS	GS	GS	GS	GS	GS	GS	AP	AP	AP	AP
		GS	GS	GS	GS	GS	GS	GS	GS	GS	GS	AP	AP	AP	AP
		GS	GS	GS	GS	GS	GS	GS	GS	GS	GS	AP	AP	AP	AP
		GS	GS	GS	GS	GS	GS	GS	GS	GS	GS	AP	AP	AP	AP
16S + 10P															



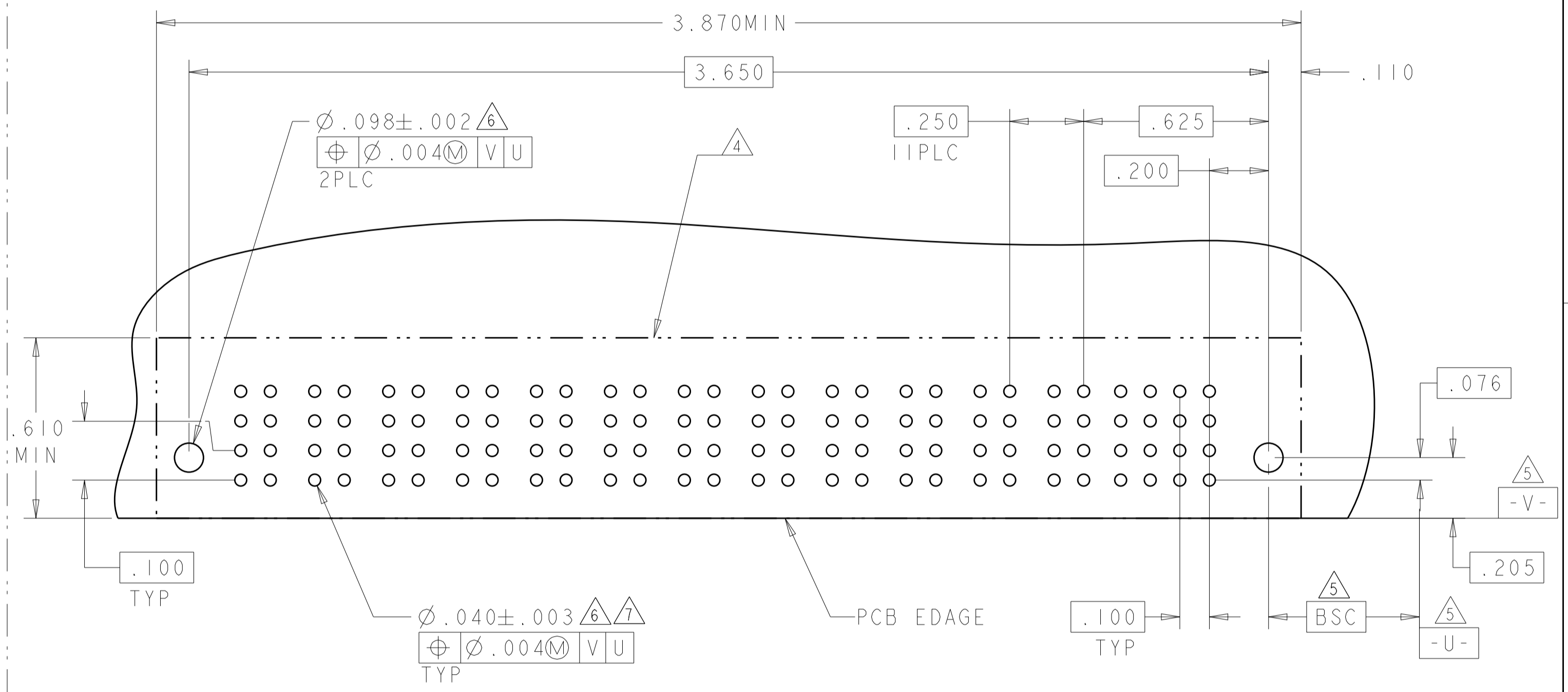
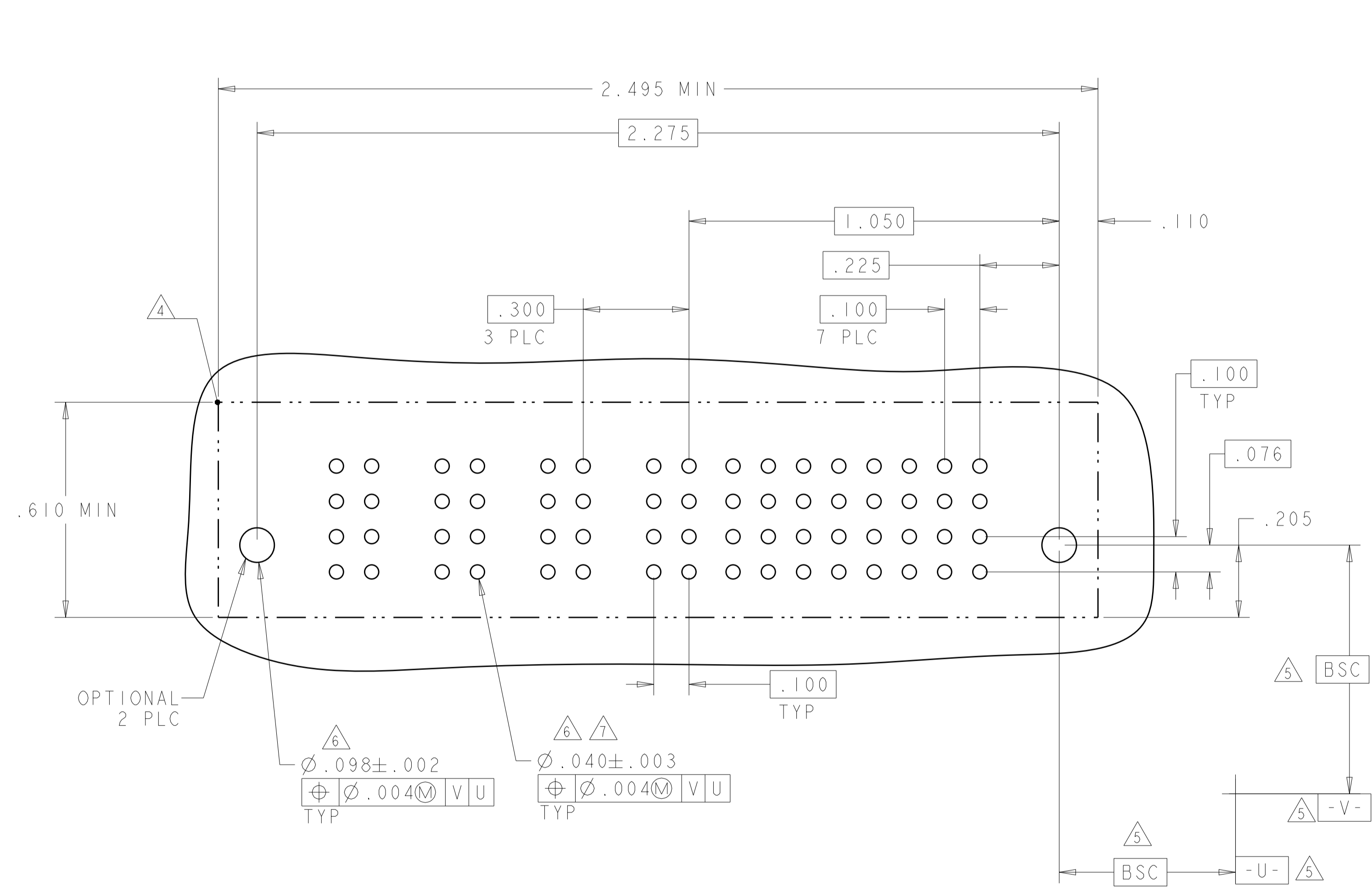
THIS DRAWING IS A CONTROLLED DOCUMENT.		DWN: C.ZHOU CHK: S.ZHAO APVD: S.YAO	88MBN2008 88MBN2008	TE Connectivity
DIMENSIONS: INCHES	TOLERANCES UNLESS OTHERWISE SPECIFIED: 0 PLC ±. 1 PLC ±.01 2 PLC ±.01 3 PLC ±.005 4 PLC ±.0020 ANGLES ±2°	NAME: VERVE GABE REPEATER S&C MB ASSEMBLY PRODUCT SPEC: 108-2292 APPLICATION SPEC: 114-13058	SIZE: A1 CAGE CODE: 00779 DRAWING NO: 6450861	
MATERIAL: -		WEIGHT: -		CUSTOMER DRAWING

LOC	DIST	REV	DATE	BY	CHK	APPV
ES	00					

REVISIONS			
REV	DATE	BY	APPV
-	-	-	-
-	-	-	-

PART NUMBER	ROWS	POWER				SIGNAL								
		P4	P3	P2	P1	8	7	6	5	4	3	2	1	
I-6450861-2	D C B A	GP	GP	GP	GP	AP	AP	AP	AP	AP	AP	AP	AP	AP
		GP	GP	GP	GP	AP	AP	AP	AP	AP	AP	AP	AP	
		GP	GP	GP	GP	AP	AP	AP	AP	AP	AP	AP	AP	
		GP	GP	GP	GP	AP	AP	AP	AP	AP	AP	AP	AP	
32S + 4ACP														

PART NUMBER	ROWS	POWER												SIGNAL				
		P12	P11	P10	P9	P8	P7	P6	P5	P4	P3	P2	P1	4	3	2	1	
I-6450861-3	D C B A	GS	GS	GS	GS	GS	GS	GS	GS	GS	GS	GS	GS	GS	GS	GS	GS	GS
		GS	GS	GS	GS	GS	GS	GS	GS	GS	GS	GS	GS	GS	GS	GS	GS	GS
		GS	GS	GS	GS	GS	GS	GS	GS	GS	GS	GS	GS	GS	GS	GS	GS	GS
		GS	GS	GS	GS	GS	GS	GS	GS	GS	GS	GS	GS	GS	GS	GS	GS	GS
16S + 12P																		



RECOMMENDED PCB LAYOUT

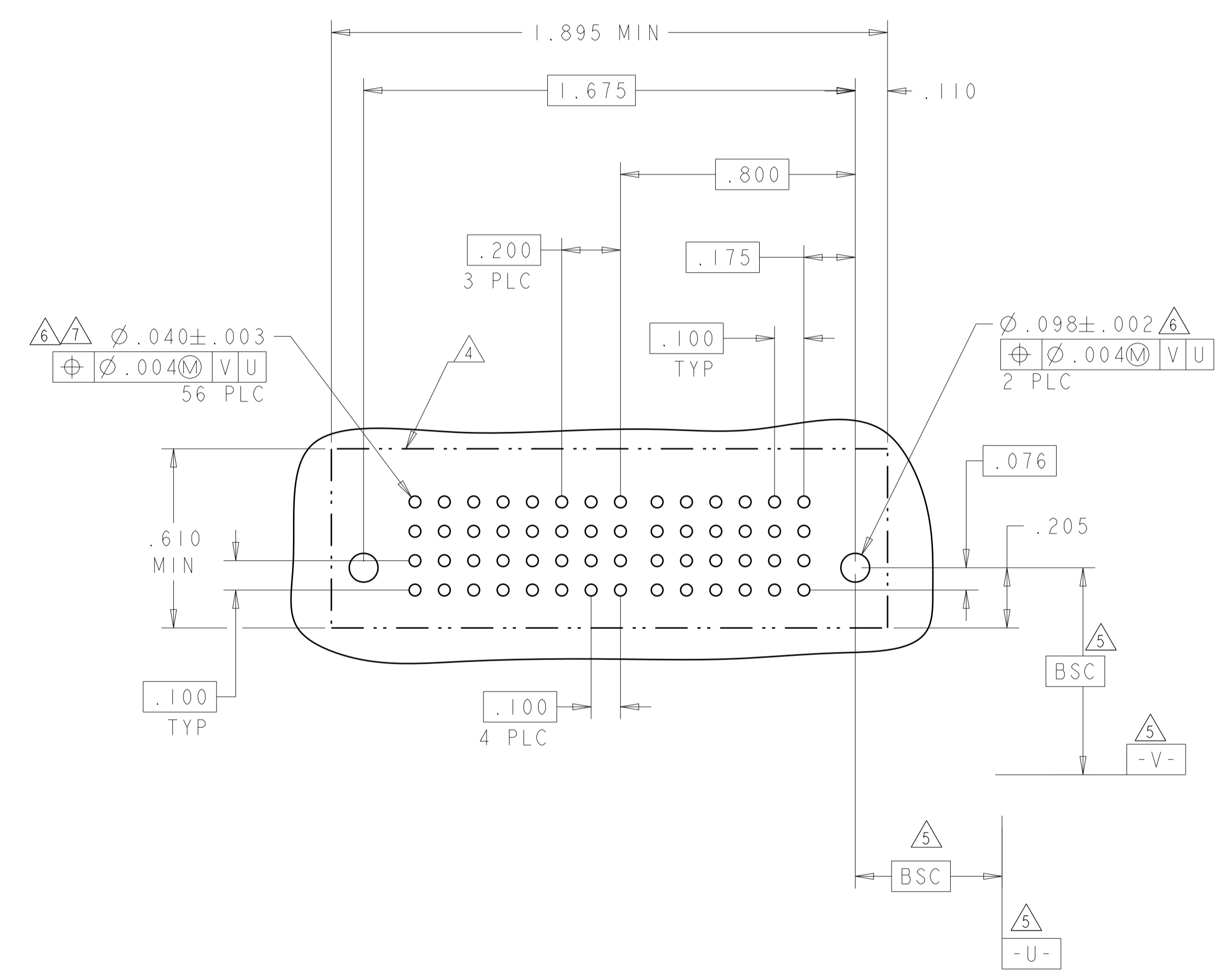
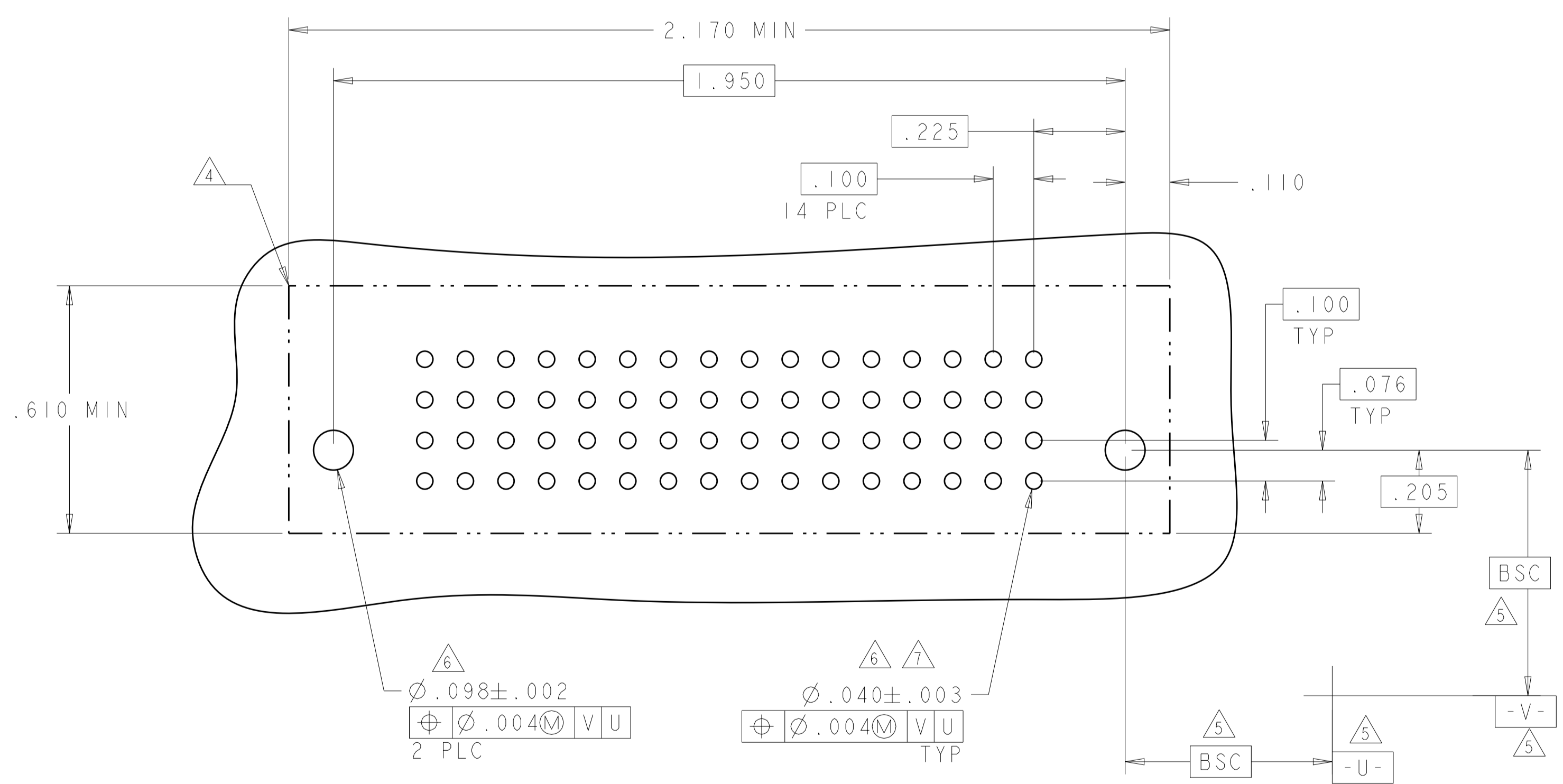
THIS DRAWING IS A CONTROLLED DOCUMENT.		OWN: C. ZHOU 20JUN2012	 TE Connectivity
DIMENSIONS: INCHES		CHK: S. ZHAO 20JUN2012	
TOLERANCES UNLESS OTHERWISE SPECIFIED:		APVD: -	NAME: VERTICAL RECEPTACLE ASSEMBLY WITH SHORT GUIDE, PRESS FIT MULTI-BEAM XLE
0 PLC ±. 1 PLC ±. 2 PLC ±. 3 PLC ±.005 4 PLC ±.0020 ANGLES ±.020 FINISH:		PRODUCT SPEC: 108-2292	RESTRICTED TO: -
MATERIAL: -		APPLICATION SPEC: 114-13251	SIZE: A1
		WEIGHT: -	CAGE CODE: 6450861
		Customer Drawing	SCALE: 1:1 SHEET 8 OF 11 REV: G5

LOC		DIST		REVISIONS			
ES	00	P	LTN	DESCRIPTION	DATE	DWN	APVD
		-		SEE SHEET 1			

F6

PART NUMBER	ROWS	SIGNAL															
		16	15	14	13	12	11	10	9	8	7	6	5	4	3	2	1
1-6450861-4	D	BP	BP	BP	BP	BP	BP	BP	BP	BP	BP	BP	BP	BP	BP	BP	BP
	C	BP	BP	BP	BP	BP	BP	BP	BP	BP	BP	BP	BP	BP	BP	BP	BP
	B	BP	BP	BP	BP	BP	BP	BP	BP	BP	BP	BP	BP	BP	BP	BP	BP
	A	BP	BP	BP	BP	BP	BP	BP	BP	BP	BP	BP	BP	BP	BP	BP	BP
64S		HD															HD

PART NUMBER	ROWS	POWER				SIGNAL					
		P4	P3	P2	P1	6	5	4	3	2	1
1-6450861-5	D					AP	AP	AP	AP	AP	AP
	C					AP	AP	AP	AP	AP	AP
	B	GS	GS	GS	GS	AP	AP	AP	AP	AP	AP
	A	HD				AP	AP	AP	AP	AP	AP
24S + 4P											



THIS DRAWING IS A CONTROLLED DOCUMENT.		DWN: C. ZHOU 20JUN2012	 TE Connectivity
DIMENSIONS: INCHES		CHK: S. ZHAO 20JUN2012	
TOLERANCES UNLESS OTHERWISE SPECIFIED:		APVD: -	NAME: VERTICAL RECEPTACLE ASSEMBLY WITH SHORT GUIDE, PRESS FIT MULTI-BEAM XLE
0 PLC ± 1 PLC ± 2 PLC ± 3 PLC ±.005 4 PLC ±.0020 ANGLES ±.020 FINISH ±.020		PRODUCT SPEC: 108-2292	RESTRICTED TO: -
MATERIAL: -		APPLICATION SPEC: 114-13251	SIZE: A1
		WEIGHT: -	CAGE CODE: 6450861
		Customer Drawing	SCALE: 1:1 SHEET 9 OF 11 REV: G5

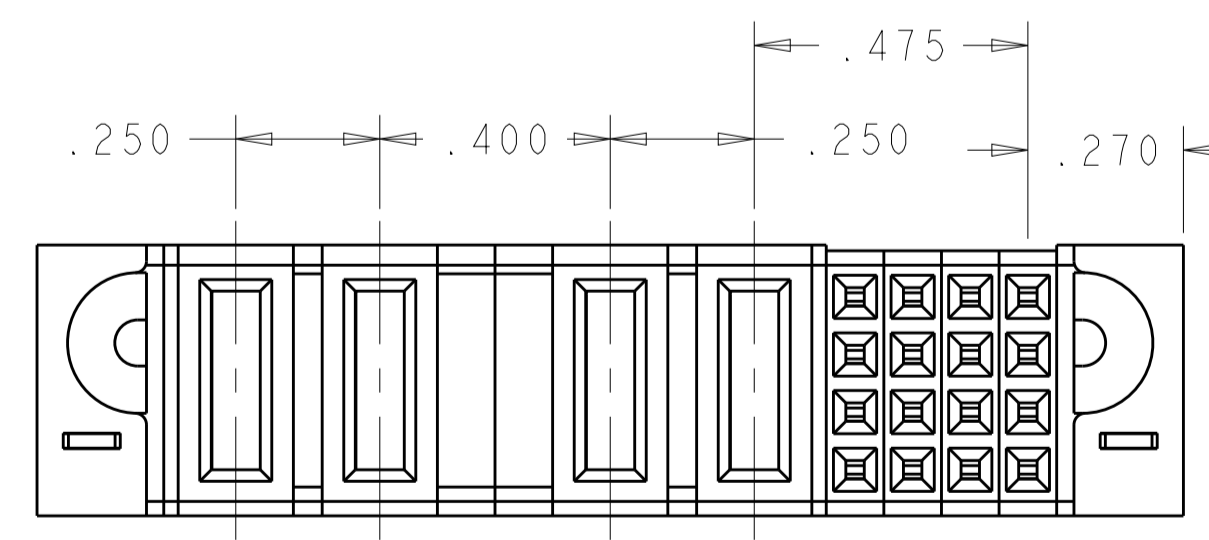
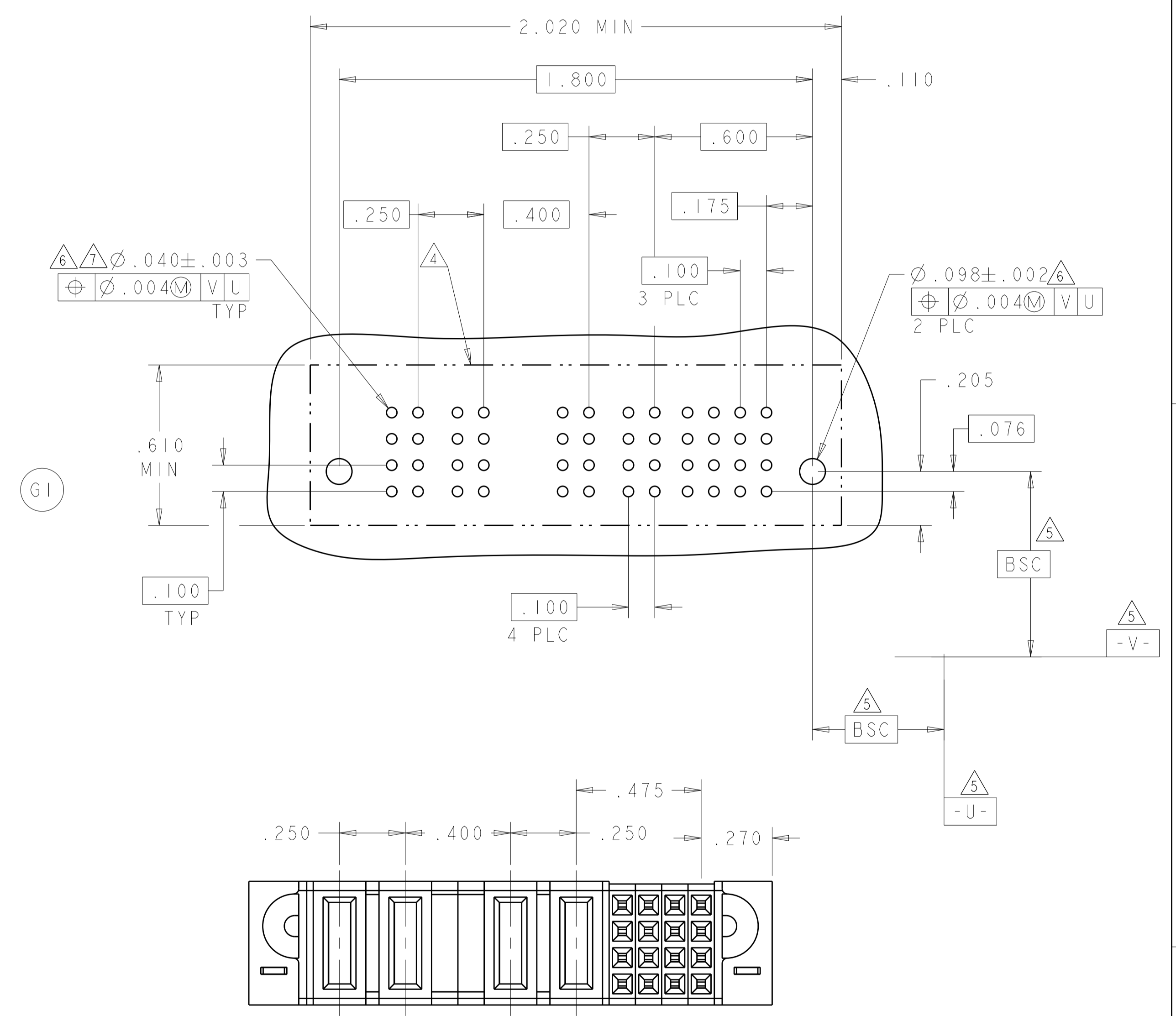
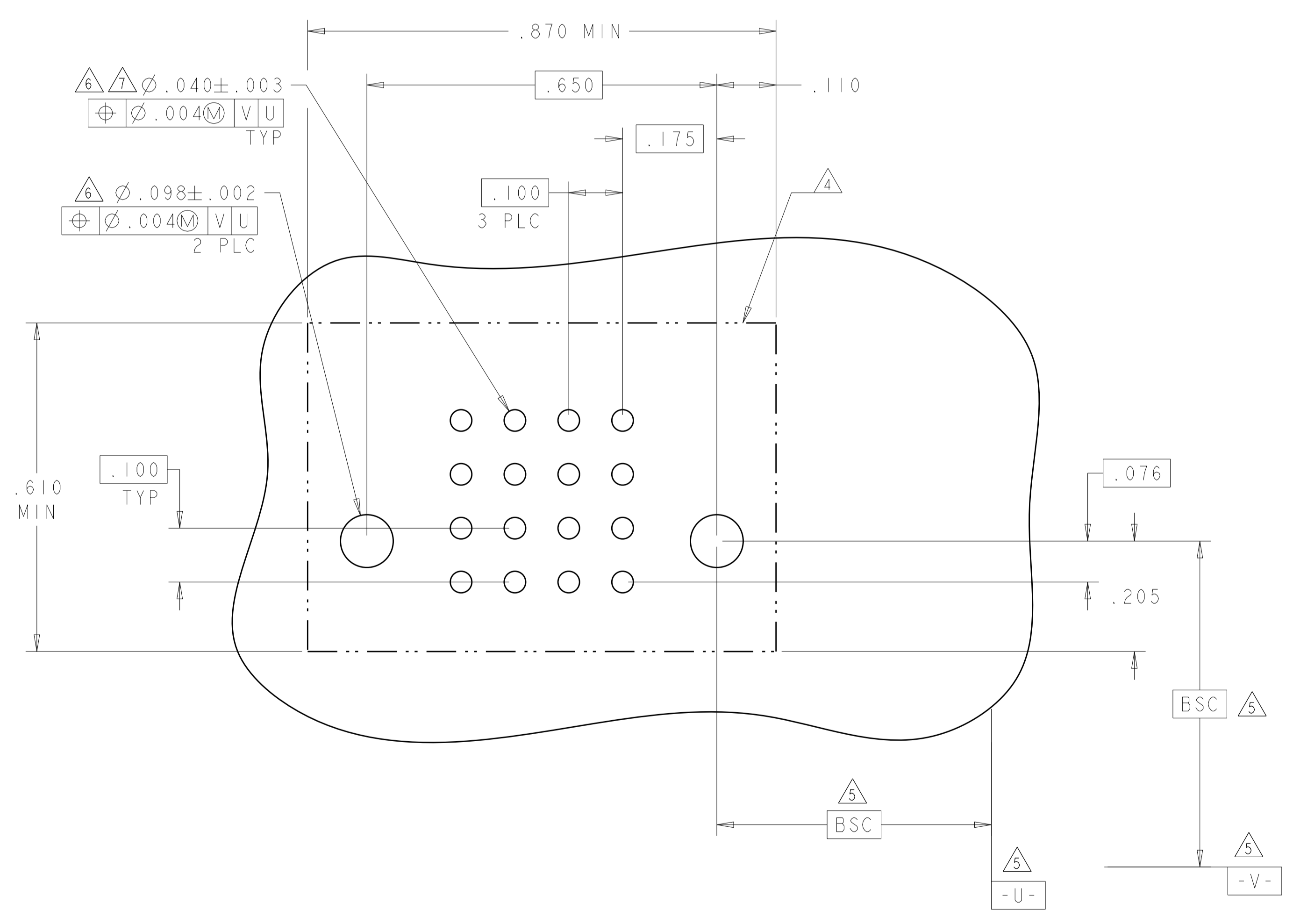
LOC	DIST	REVISIONS			
P	LTN	DESCRIPTION	DATE	DMN	APVD
ES	00	SEE SHEET 1			

PART NUMBER	ROWS	SIGNAL			
		4	3	2	1
1-6450861-6	D	AP	AP	AP	AP
	C	AP	AP	AP	AP
	B	AP	AP	AP	AP
	A	AP	AP	AP	AP

16S

PART NUMBER	ROWS	POWER					SIGNAL			
		P4	P3	-	P2	P1	4	3	2	1
1-6450861-7	D	VS	VS	-	VS	VS	P	P	P	P
	C	VS	VS	-	VS	VS	P	P	P	P
	B	VS	VS	-	VS	VS	P	P	P	P

16S + 4P



PART 1-6450861-7

HD	HOLD DOWN
P	SIGNAL PRESS FIT CONTACT .115"
VS	STD POWER PRESS FIT CONTACT .115"
CODE	TAIL LENGTH
CONTACT TABLE	

THIS DRAWING IS A CONTROLLED DOCUMENT. DWG: C.ZHOU 20JUN2012
 CHK: S.ZHAO 20JUN2012
 APVD: -

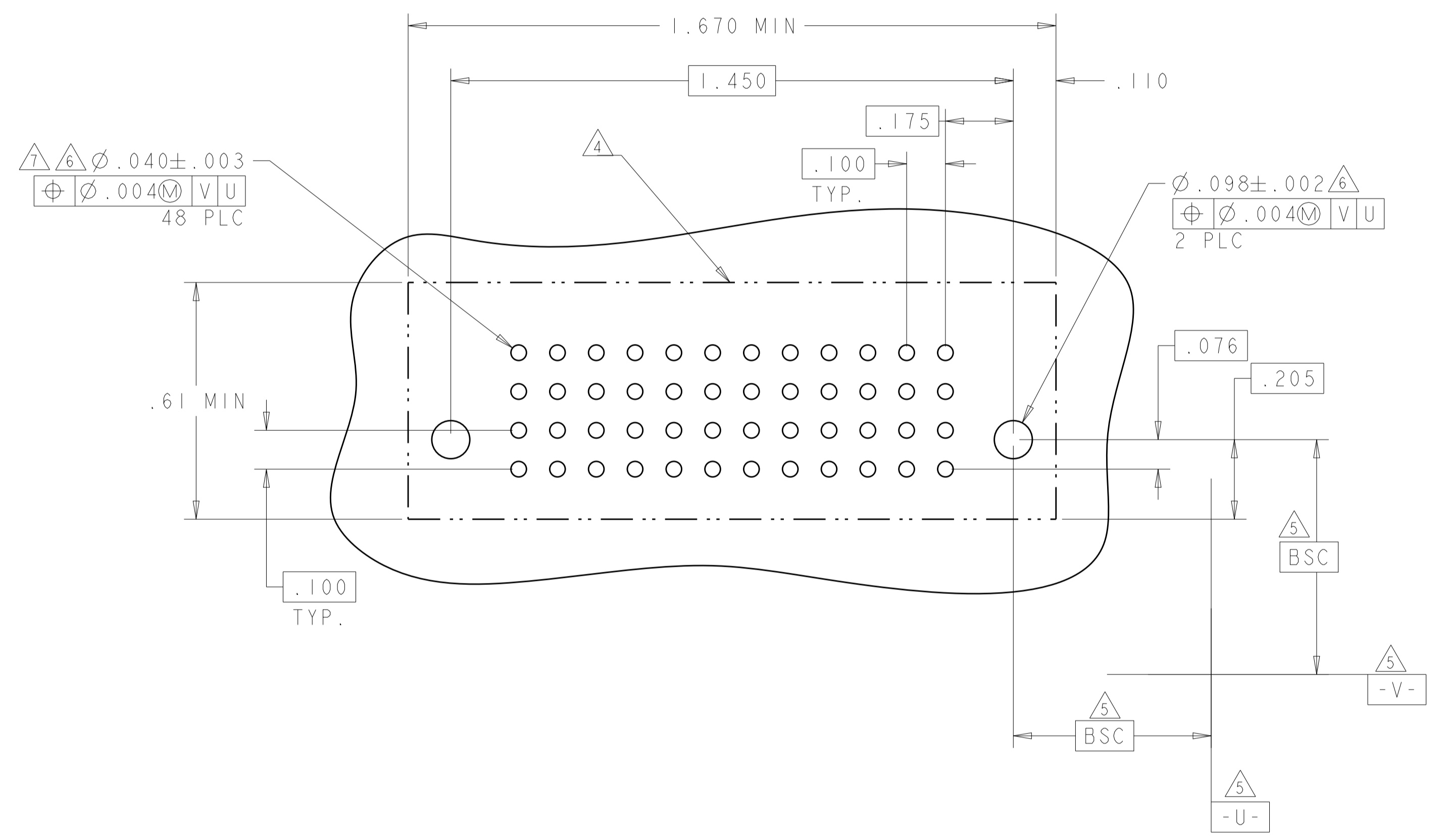
DIMENSIONS:	TOLERANCES UNLESS OTHERWISE SPECIFIED:	PRODUCT SPEC	NAME
INCHES	0 PLC ±	108-2292	VERTICAL RECEPTACLE ASSEMBLY WITH SHORT GUIDE, PRESS FIT MULTI-BEAM XLE
	1 PLC ±	APPLICATION SPEC	SIZE CAGE CODE DRAWING NO
	2 PLC ±	114-13251	A100779C=6450861
	3 PLC ±.005	WEIGHT	RESTRICTED TO
	4 PLC ±.0020	Customer Drawing	SCALE 1:1 SHEET 10 OF 11 REV G5
	ANGLES ±.0020		
	FINISH		

STE TE Connectivity

LOC	DIST	REV	DATE	BY	CHK	APPV
ES	00					

REVISIONS						
REV	DATE	BY	CHK	APPV	DESCRIPTION	DATE
-	-	-	-	-	SEE SHEET 1	-

PART NUMBER	ROWS	SIGNAL											
		12	11	10	9	8	7	6	5	4	3	2	1
1-6450861-8	D C B A	AP	AP	AP	AP	AP	AP	AP	AP	AP	AP	AP	AP
		AP	AP	AP	AP	AP	AP	AP	AP	AP	AP	AP	AP
		AP	AP	AP	AP	AP	AP	AP	AP	AP	AP	AP	AP
		AP	AP	AP	AP	AP	AP	AP	AP	AP	AP	AP	AP
48S		HD											HD



THIS DRAWING IS A CONTROLLED DOCUMENT.		OWN C. ZHOU CHK S. ZHAO	20JUN2012 20JUN2012	TE Connectivity	
DIMENSIONS: INCHES		APVD			
		TOLERANCES UNLESS OTHERWISE SPECIFIED:		PRODUCT SPEC	
MATERIAL		FINISH		APPLICATION SPEC	
				SIZE CAGE CODE DRAWING NO	
				RESTRICTED TO	
				A100779C=6450861	
				Customer Drawing	
				SCALE 1:1 SHEET 11 OF 11 REV G5	

X-ON Electronics

Largest Supplier of Electrical and Electronic Components

Click to view similar products for [Power to the Board](#) category:

Click to view products by [TE Connectivity](#) manufacturer:

Other Similar products are found below :

[6450552-7](#) [6643429-1](#) [6646040-2](#) [6766604-1](#) [120959-1](#) [1393557-2](#) [1393532-2](#) [1393532-3](#) [1393532-4](#) [1393557-1](#) [1744132-7](#) [1766250-1](#)
[1892109-1](#) [1-6450850-6](#) [1-6450869-6](#) [1645526-2](#) [2005243-2](#) [377-0020-11130](#) [MC116N](#) [TE34-12-16P-F0](#) [51700-10201602AALF](#) [51970-004](#) [5-6450830-6](#) [4-6600333-3](#) [10125416-4050LF](#) [10130248-005LF](#) [6600320-3](#) [IPBT-103-H1-T-S-RA](#) [1888123-2](#) [6766605-1](#) [701-15-02109](#)
[6450810-7](#) [46437-1112](#) [6450813-2](#) [6450842-4](#) [10108877-R24403SLF](#) [1645523-1](#) [PSS-06-01-T-S](#) [FWS-03-04-T-S](#) [51760-10301603ABLF](#)
[MDF6-TA2022HC](#) [FWS-05-01-T-S](#) [51720-10206002AALF](#) [QE-POL-KEY](#) [FWS-08-01-T-S](#) [698-0075-04](#) [6651670-1](#) [MC120N](#) [2-1600788-6](#)
[1761385-3](#)