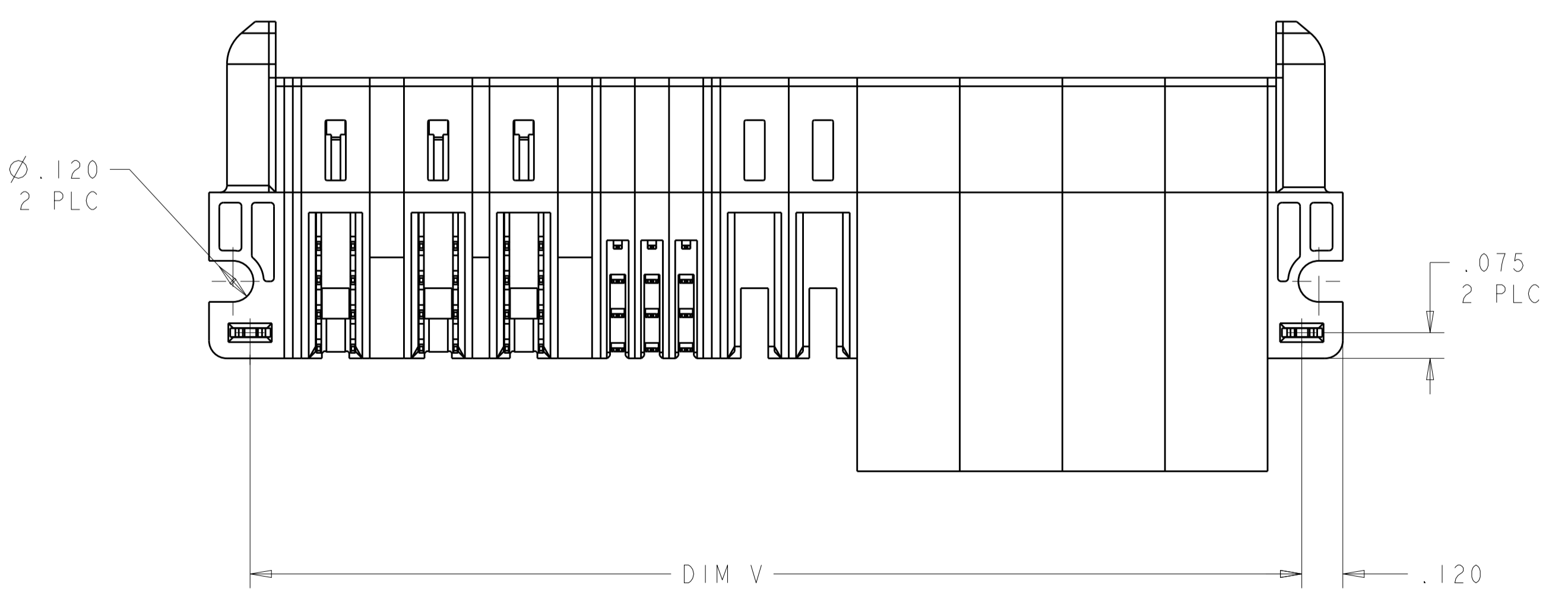
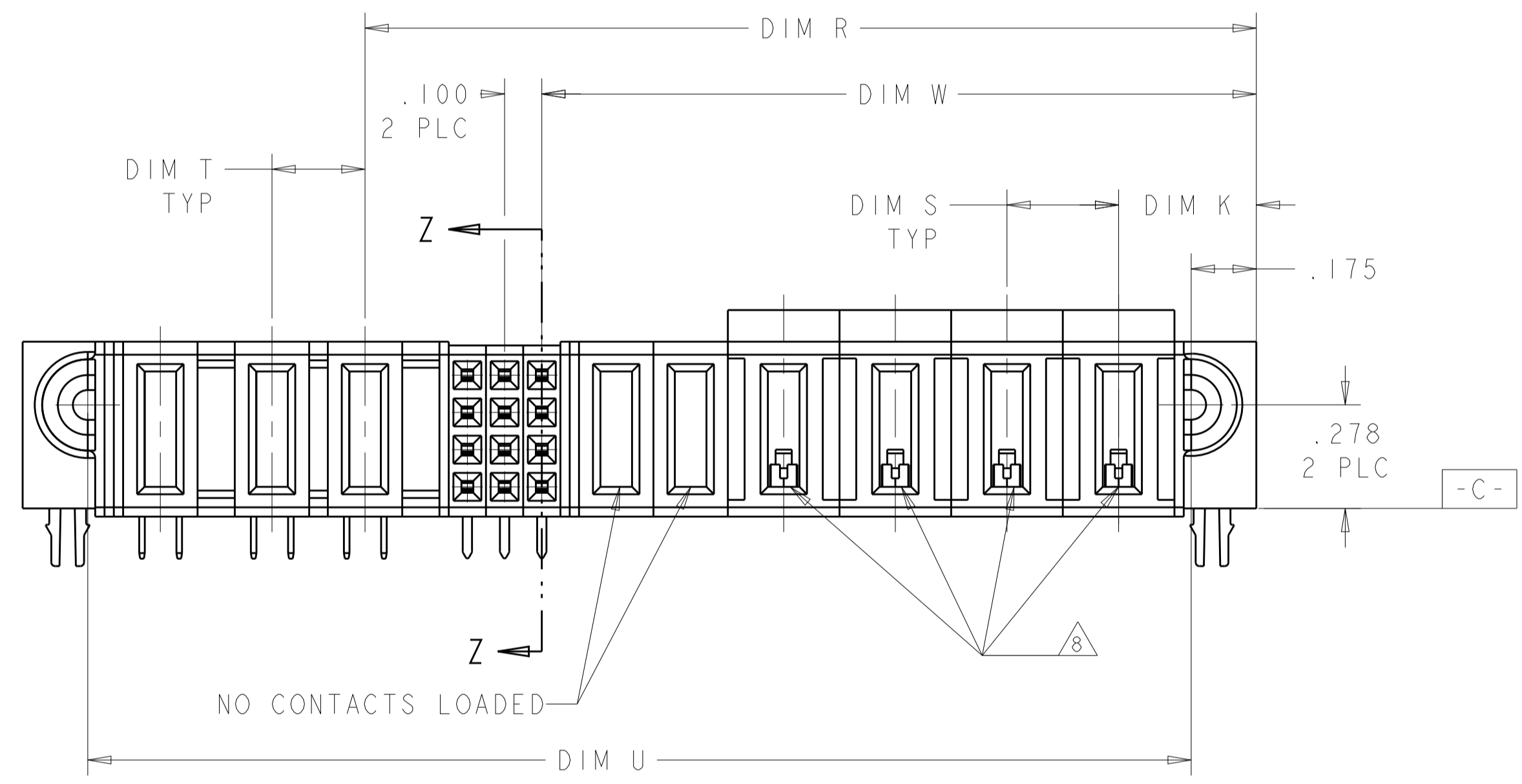
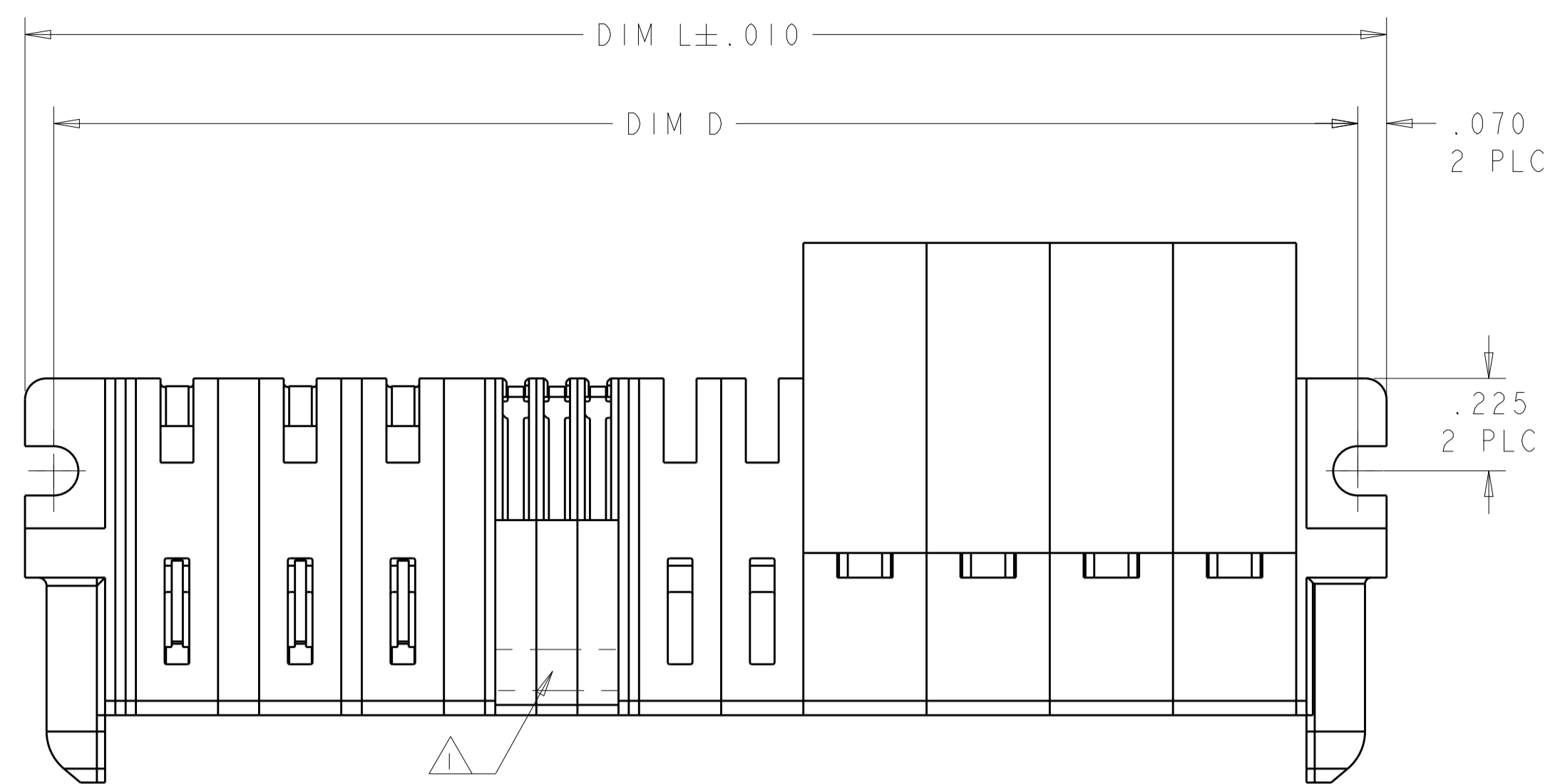
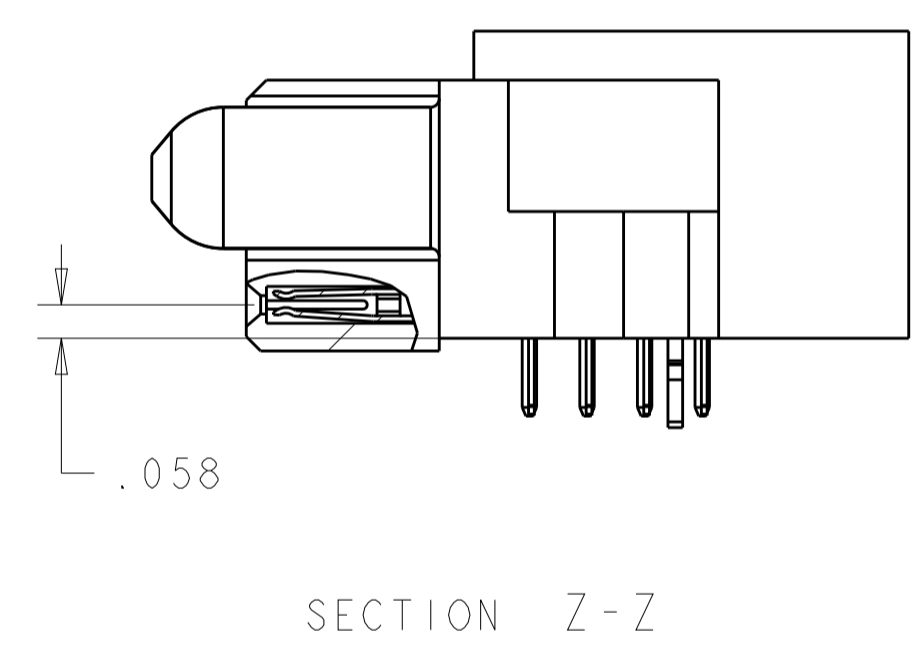
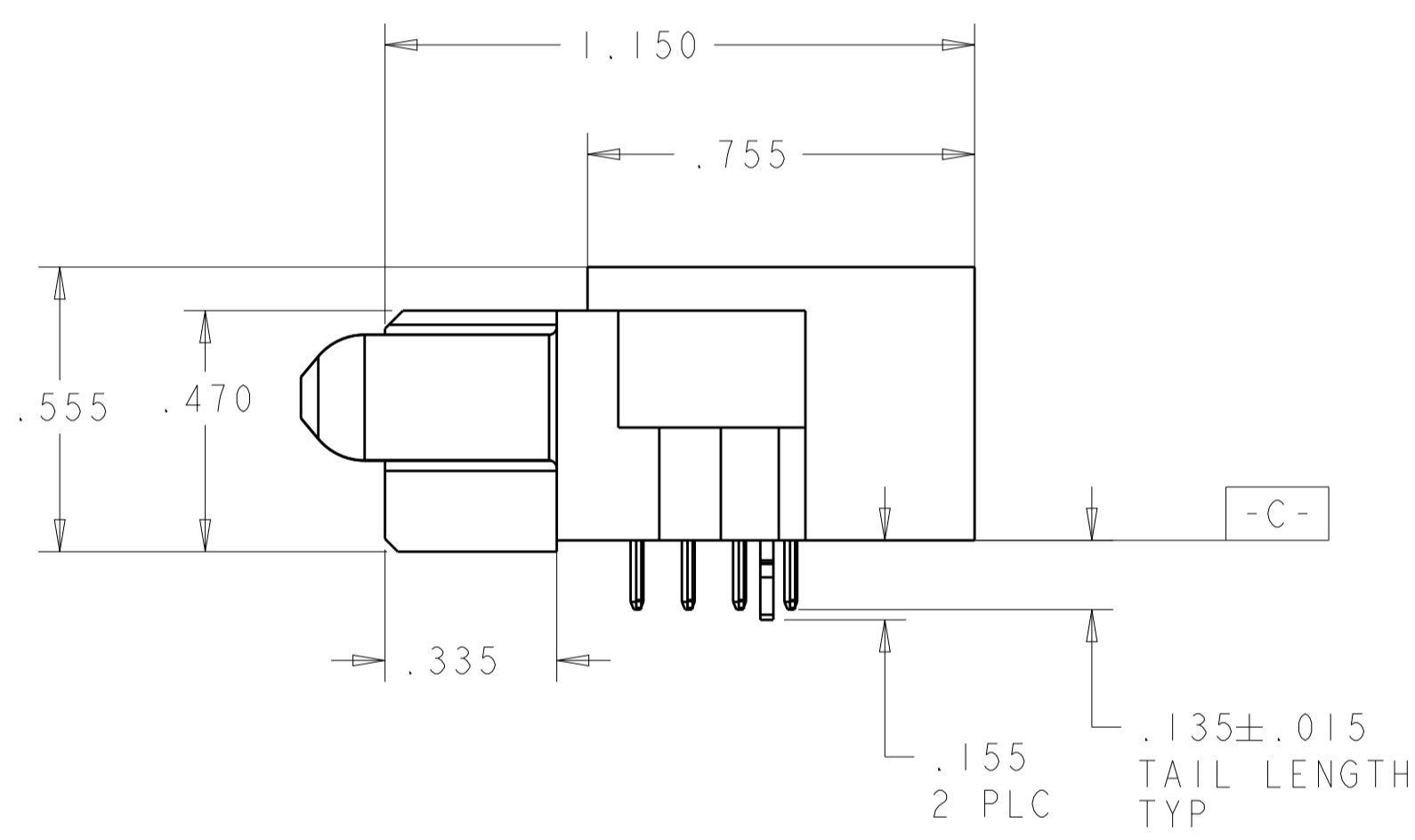


LOC	DIST	REVISIONS					
		P.	LTN	DESCRIPTION	DATE	DWN	APVD
ES	00	B3		ADDED NEW DASH NUMBER -7	12SEP2016	CZ	SZ
		B4		ADDED NEW DASH NUMBER -8	29SEP2016	RS	SZ



- ⚠ "AMP", PART NUMBER, AND DATECODE TO BE MARKED IN AREA SHOWN. PARTS UNDER 2.00 LONG MAY BE MARKED ON BOTH SIDES.
- ⚠ MATERIAL: HOUSING - GLASS FILLED HIGH TEMP THERMO PLASTIC, BLACK, UL94 V-0
SIGNAL CONTACT - COPPER ALLOY
POWER CONTACT - HIGH CONDUCTIVITY COPPER ALLOY
- ⚠ CONTACT PLATING: NOBLE METAL PLATING ON CONTACT FUNCTIONAL AREA OF POWER AND SIGNAL CONTACTS.
- ⚠ MECHANICAL CONNECTOR KEEP OUT ZONE.
- ⚠ DATUM AND BASIC DIMENSIONS ESTABLISHED BY CUSTOMER.
- ⚠ PCB - HOLE DIAMETERS ARE FINISHED HOLE SIZE.
- ⚠ PCB - .0453±.0010 DRILLED HOLES PLATED WITH .0003 MIN Sn OVER .001 TO .003 Cu PLATING TO ACHIEVE A .040 DIA HOLE.
- ⚠ A/C POWER CABLE CONTACT LOADED IN THESE CAVITIES.
- ⚠ VARIABLE DIMENSIONS PLEASE SEE PART TABLE.



PROPOSED PART

-	-	⚠	5.290	5.050	4.940	5.150	4.420	.370	3ACP + 12P + 28S	6450874-8
-	-	⚠	5.290	5.050	4.940	5.150	4.420	.370	3ACP + 12P + 28S	6450874-7
-	-	⚠	4.015	3.775	3.665	3.875	3.445	.370	3ACP + 9P + 16S	6450874-6
-	-	⚠	4.015	3.775	3.665	3.875	3.445	.370	3ACP + 9P + 16S	6450874-5
-	-	⚠	5.290	5.050	4.940	5.150	4.420	.370	3ACP + 12P + 28S	6450874-4
-	-	⚠	2.965	2.725	2.615	2.825	2.195	.370	3ACP + 4P + 24S	6450874-3
-	-	⚠	5.290	5.050	4.940	5.150	4.420	.370	3ACP + 12P + 28S	6450874-2
⚠	2.395	.300	3.315	3.075	2.965	3.175	1.920	.370	4ACP + 12S + 3P	6450874-1
DIM T	DIM R	DIM S	DIM L	DIM V	DIM U	DIM D	DIM W	DIM K	DESCRIPTION	PART NUMBER

THIS DRAWING IS A CONTROLLED DOCUMENT. DWN: C. ZHOU 02JUN2009
CHK: S. ZHAO 02JUN2009

DIMENSIONS: INCHES(MM)
TOLERANCES UNLESS OTHERWISE SPECIFIED:
0 PLC ±.
1 PLC ±.01
2 PLC ±.01
3 PLC ±.005
4 PLC ±.0020
ANGLES ±.07°

MATERIAL: FINISH:

APVD: S. YAO
NAME: S. YAO
PRODUCT SPEC: 108-2292
APPLICATION SPEC: 114-13038
WEIGHT: -
CUSTOMER DRAWING

STE TE Connectivity
RIGHT ANGLE RECEPTACLE ASSEMBLY
A/C PASS THRU W/SLIM GUIDES
MULTI-BEAM XLE

SIZE: A1
CAGE CODE: 100779
DRAWING NO: 6450874
SCALE: 3:1
SHEET: 1 of 8
REV: B4

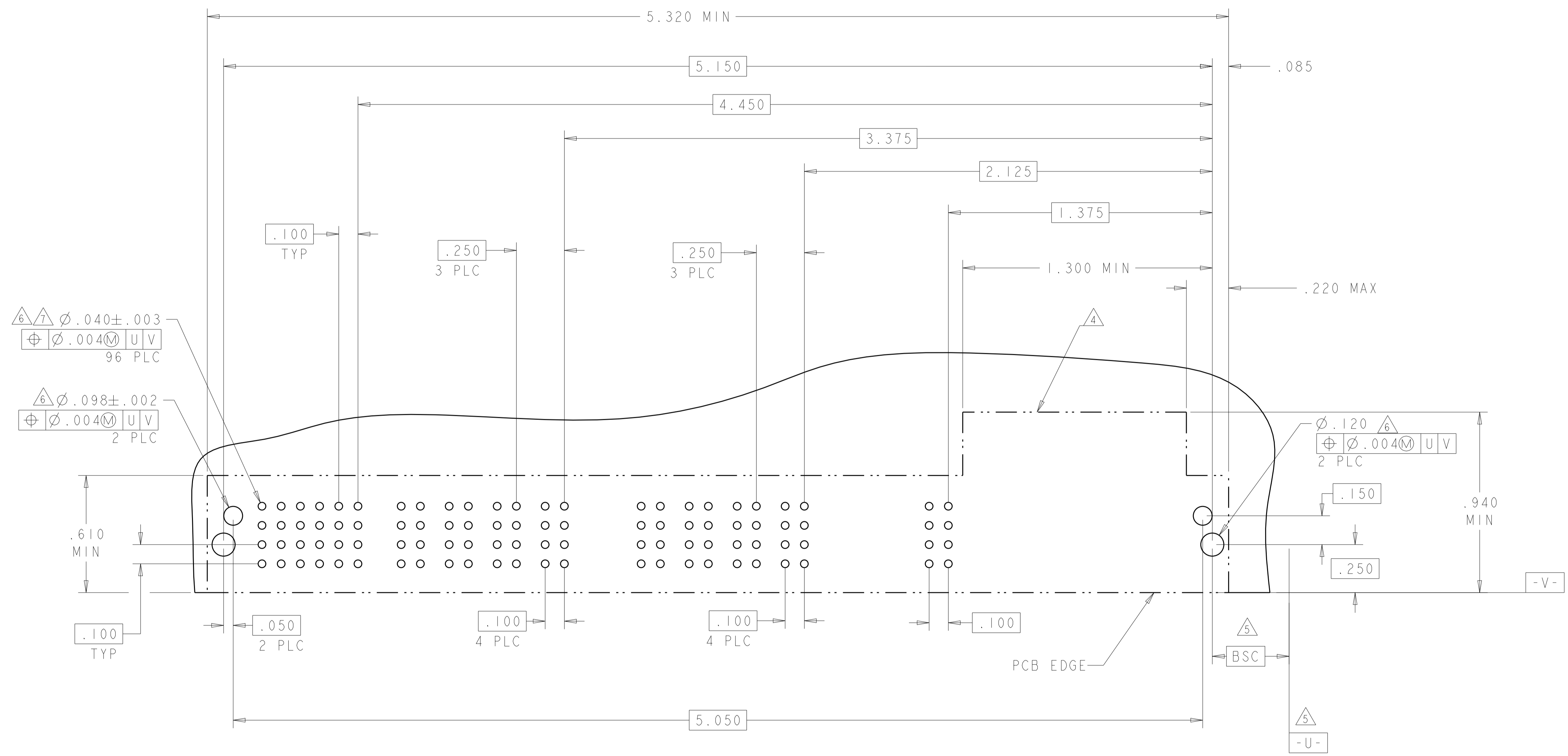
LOC		DIST		REVISIONS			
P	LTN	DESCRIPTION	DATE	DMN	APVD		
-	-	SEE SHEET 1	-	-	-		

PART NUMBER	ROWS	SIGNAL							POWER														
		7	6	5	4	3	2	1	PI5	PI4	PI3	PI2	PI1	PI0	P9	P8	P7	P6	P5	P4	P3	P2	PI
6450874-2	D C B A	H	H	H	H	H	H		RM	RM	RM	RM		RM	RM	RM	RM		RA	STD	STD	STD	
		G	G	G	G	G	G																
		F	F	F	F	F	F																
		E	E	E	E	E	E																

PART NUMBER	ROWS	SIGNAL							POWER														
		7	6	5	4	3	2	1	PI5	PI4	PI3	PI2	PI1	PI0	P9	P8	P7	P6	P5	P4	P3	P2	PI
6450874-4	D C B A	H	H	H	H	H	H		RM	RM	RM	RM		RM	RM	RM	RM		RA	MLBF	STD	MFBL	
		G	G	G	G	G	G																
		F	F	F	F	F	F																
		E	E	E	E	E	E																

NO CONTACTS LOADED
 NO CONTACTS LOADED
 .250 11 PLC
 .375 3 PLC

SAME AS 6450874-2 EXCEPT POWER SEQUENCE

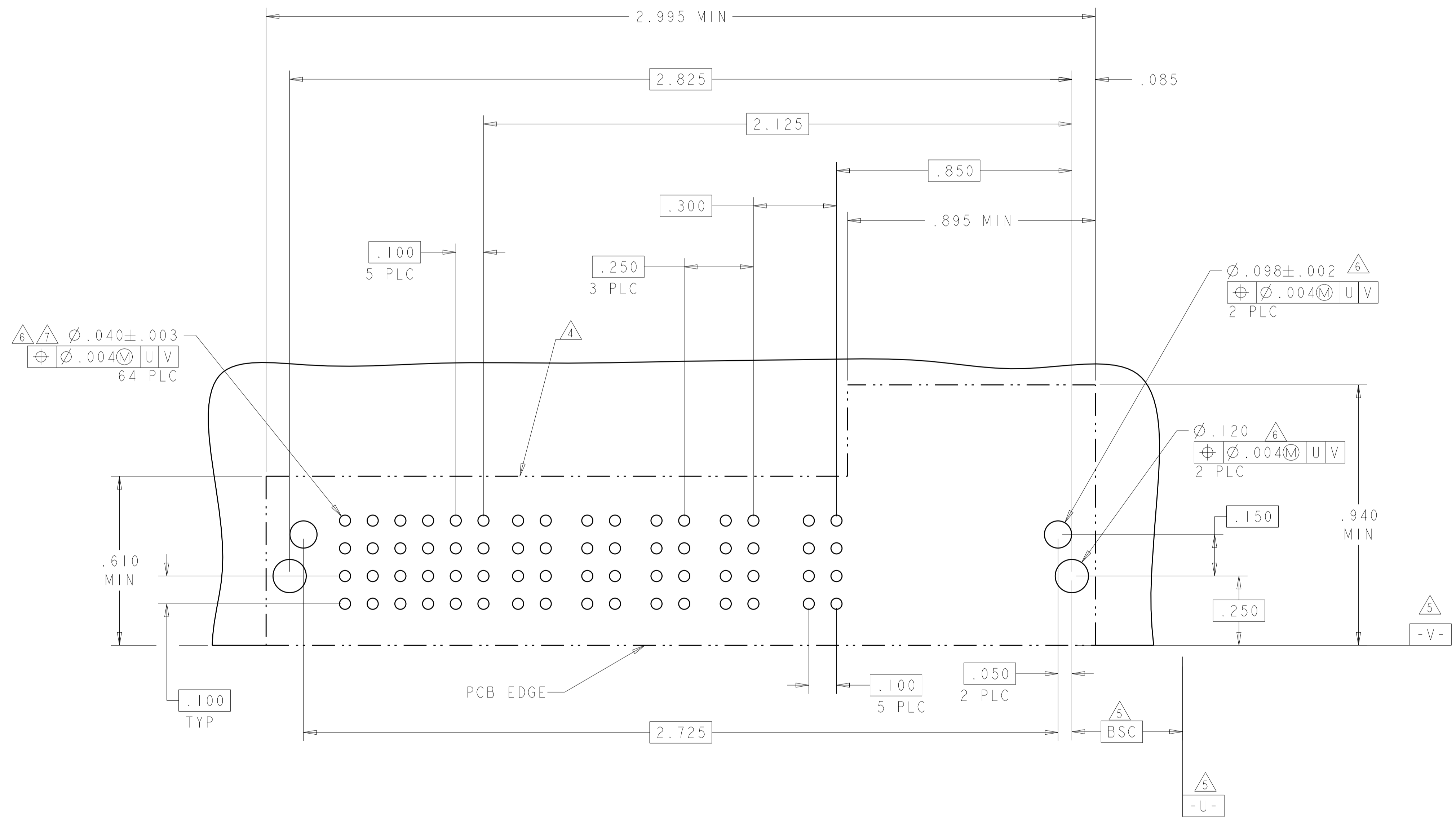
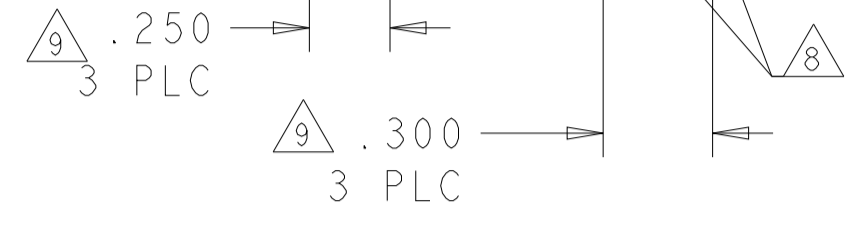


RECOMMENDED PCB LAYOUT

THIS DRAWING IS A CONTROLLED DOCUMENT.		DMN C. ZHOU 02JUN2009	TE Connectivity
DIMENSIONS: INCHES(MM)		CHK S. ZHAO 02JUN2009	
TOLERANCES UNLESS OTHERWISE SPECIFIED: 0 PLC ± 1 PLC ±.01 2 PLC ±.01 3 PLC ±.005 4 PLC ±.002 ANGLES ±.020		APVD S. YAO	NAME RIGHT ANGLE RECEPTACLE ASSEMBLY A/C PASS THRU W/SLIM GUIDES MULTI-BEAM XLE
MATERIAL		PRODUCT SPEC 108-2292	SIZE 114-13038
FINISH		APPLICATION SPEC	RESTRICTED TO
		WEIGHT	A100779C=6450874
		CUSTOMER DRAWING	SCALE 3:1 SHEET 3 OF 8 REV B4

LOC	DIST	REVISIONS			
P	LTN	DESCRIPTION	DATE	DWN	APVD
-	-	SEE SHEET 1	-	-	-

PART NUMBER	ROWS	SIGNAL							POWER						
		6	5	4	3	2	1	P7	P6	P5	P4	P3	P2	P1	
6450874-3	DCBA	H	H	H	H	H	H	RM	RM	RM	RM	RA	STD	STD	
		G	G	G	G	G	G								
		F	F	F	F	F	F								
3ACP + 4P + 24S		E	E	E	E	E	E								

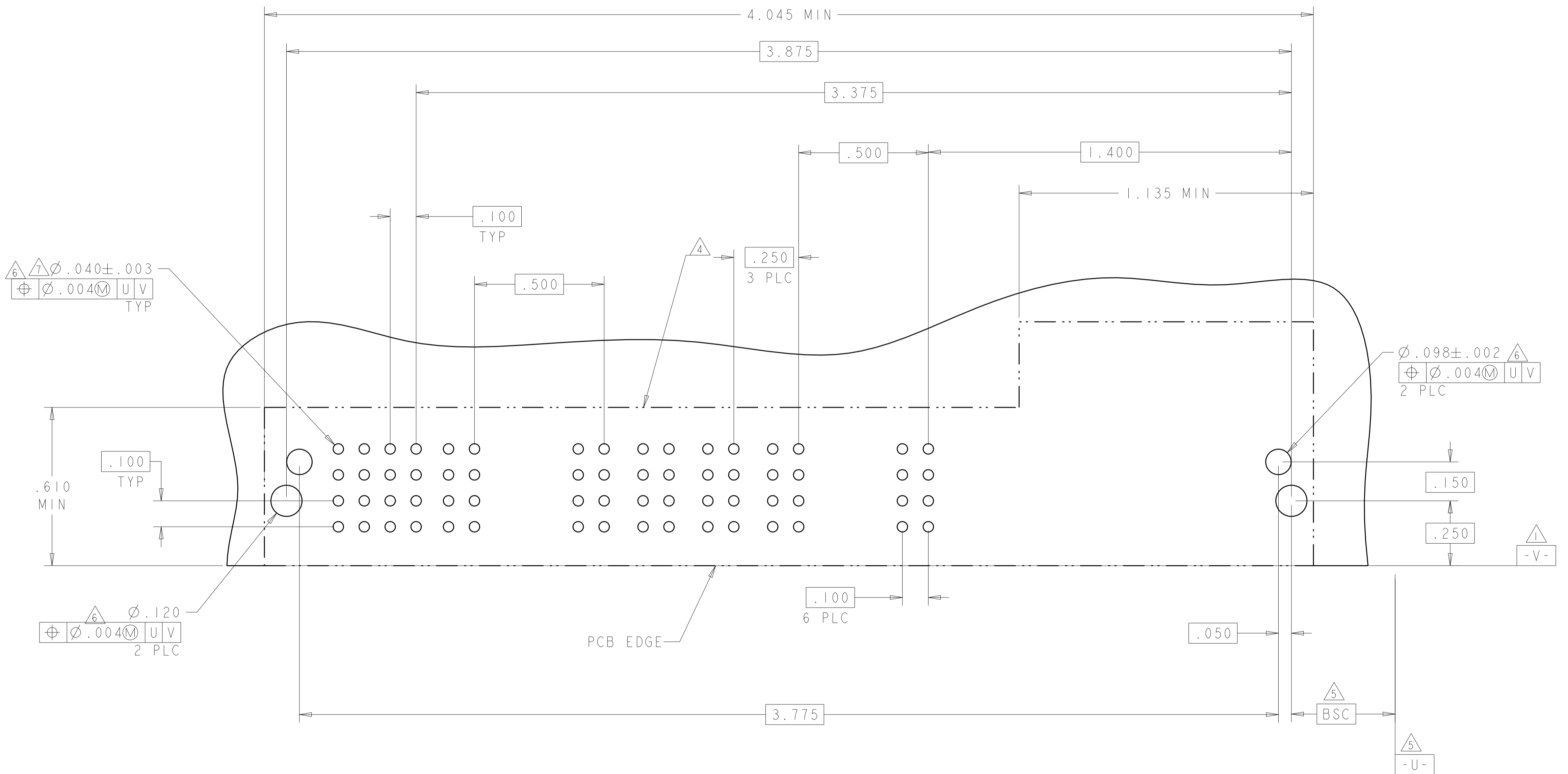
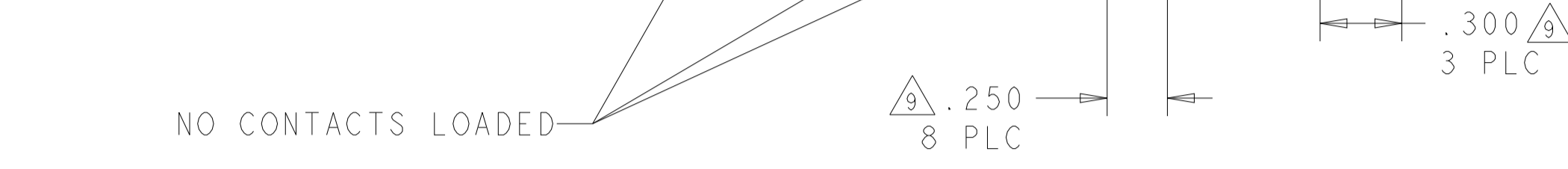


RECOMMENDED PCB LAYOUT

THIS DRAWING IS A CONTROLLED DOCUMENT.		DWN C. ZHOU CHK S. ZHAO	02JUN2009 02JUN2009	TE Connectivity
DIMENSIONS: INCHES(MM)		TOLERANCES UNLESS OTHERWISE SPECIFIED:		
		0 PLC ±- 1 PLC ±.01 2 PLC ±.01 3 PLC ±.005 4 PLC ±.0020 ANGLES ±.2°		NAME RIGHT ANGLE RECEPTACLE ASSEMBLY A/C PASS THRU W/SLIM GUIDES MULTI-BEAM XLE
MATERIAL		FINISH		PRODUCT SPEC 108-2292 APPLICATION SPEC 114-13038 WEIGHT -
-		-		SIZE CAGE CODE DRAWING NO A100779C=6450874 CUSTOMER DRAWING SCALE 3:1 SHEET 4 OF 8 REV B4

LOC	DIST	REVISIONS			
P	LTN	DESCRIPTION	DATE	DWN	APVD
-	-	SEE SHEET 1	-	-	-

PART NUMBER	ROWS	SIGNAL				POWER											
		4	3	2	1	PI2	PI1	PI0	P9	P8	P7	P6	P5	P4	P3	P2	PI
6450874-5	D	H	H	H	H	RM	RM	RM	RM	RM	RM	RM	RM	RM	STD	STD	HD
	C	G	G	G	G												
	B	F	F	F	F												
	A	E	E	E	E												



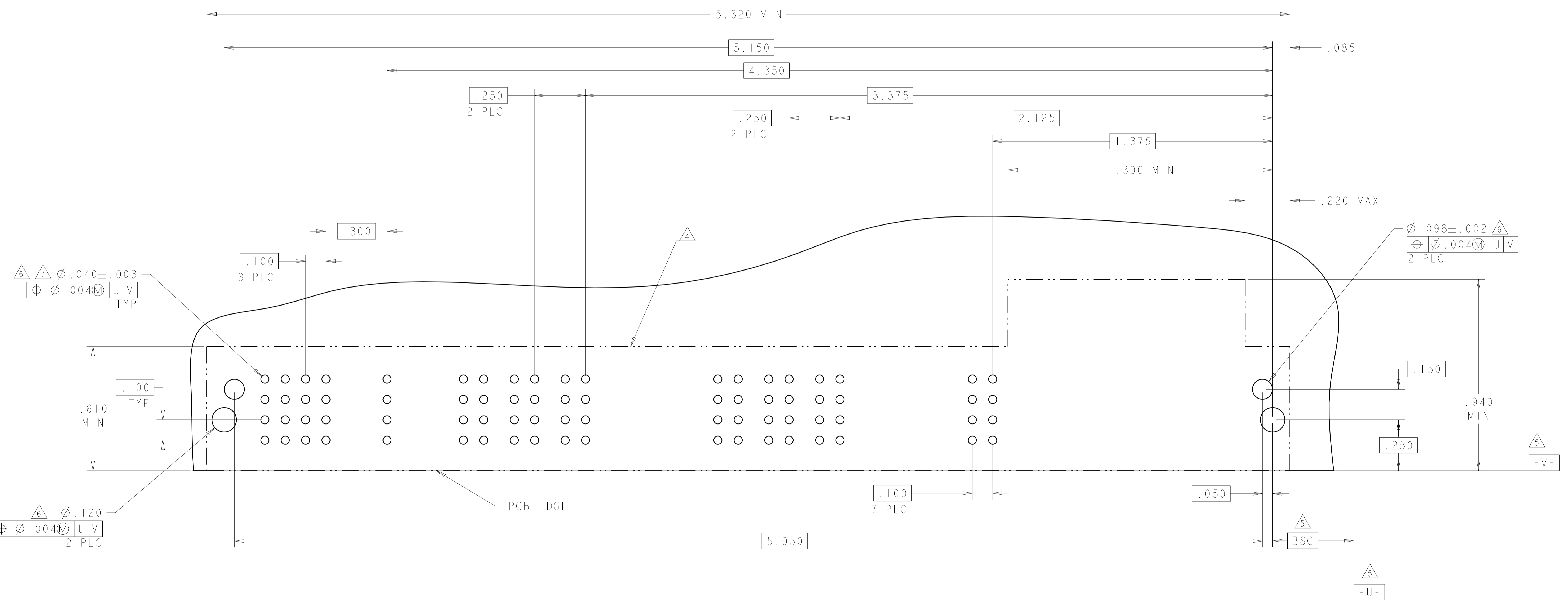
THIS DRAWING IS A CONTROLLED DOCUMENT.

DIMENSIONS: INCHES[MM]	TOLERANCES UNLESS OTHERWISE SPECIFIED:	DWN: C. ZHOU 02JUN2009	CHK: S. ZHAO 02JUN2009	TE Connectivity	
0 PLC ±. 1 PLC ±. 2 PLC ±.01 3 PLC ±.005 4 PLC ±.0020 ANGLES ±.2°		APVD: S. YAO	NAME: RIGHT ANGLE RECEPTACLE ASSEMBLY		
MATERIAL: -	FINISH: -	PRODUCT SPEC: 108-2292 APPLICATION SPEC: 114-13038 WEIGHT: -		SIZE: A100779 C=6450874 RESTRICTED TO: -	
CUSTOMER DRAWING		SCALE: 3:1		SHEET: 5 OF 8	REV: B4

LOC		DIST		REVISIONS			
P	LTN	DESCRIPTION	DATE	DMN	APVD		
-	-	SEE SHEET 1	-	-	-		

PART NUMBER	ROWS	SIGNAL							POWER														
		7	6	5	4	3	2	1	P15	P14	P13	P12	P11	P10	P9	P8	P7	P6	P5	P4	P3	P2	P1
6450874-7	D	H	H	H	H		H																
	C	G	G	G	G		G																
	B	F	F	F	F		F																
	A	E	E	E	E		E																
3ACP + 12P + 28S									RM	RM	RM								RA	STD	STD	STD	

NO CONTACTS LOADED
 NO CONTACTS LOADED
 .250 11 PLC
 .375 3 PLC



THIS DRAWING IS A CONTROLLED DOCUMENT.		DMN C. ZHOU 02JUN2009	TE Connectivity														
DIMENSIONS: INCHES(MM)		CHK S. ZHAO 02JUN2009															
TOLERANCES UNLESS OTHERWISE SPECIFIED:		APVD S. YAO	NAME RIGHT ANGLE RECEPTACLE ASSEMBLY														
<table border="1"> <tr><td>0 PLC</td><td>±</td></tr> <tr><td>1 PLC</td><td>±.01</td></tr> <tr><td>2 PLC</td><td>±.01</td></tr> <tr><td>3 PLC</td><td>±.005</td></tr> <tr><td>4 PLC</td><td>±.0020</td></tr> <tr><td>ANGLES</td><td>±.0020</td></tr> <tr><td>FINISH</td><td>±.0020</td></tr> </table>		0 PLC	±	1 PLC	±.01	2 PLC	±.01	3 PLC	±.005	4 PLC	±.0020	ANGLES	±.0020	FINISH	±.0020	PRODUCT SPEC 108-2292	A/C PASS THRU W/SLIM GUIDES
0 PLC	±																
1 PLC	±.01																
2 PLC	±.01																
3 PLC	±.005																
4 PLC	±.0020																
ANGLES	±.0020																
FINISH	±.0020																
MATERIAL		APPLICATION SPEC 114-13038	MULTI-BEAM XLE														
WEIGHT		SIZE A100779	RESTRICTED TO														
CUSTOMER DRAWING		SCALE 3:1	SHEET 7 OF 8														

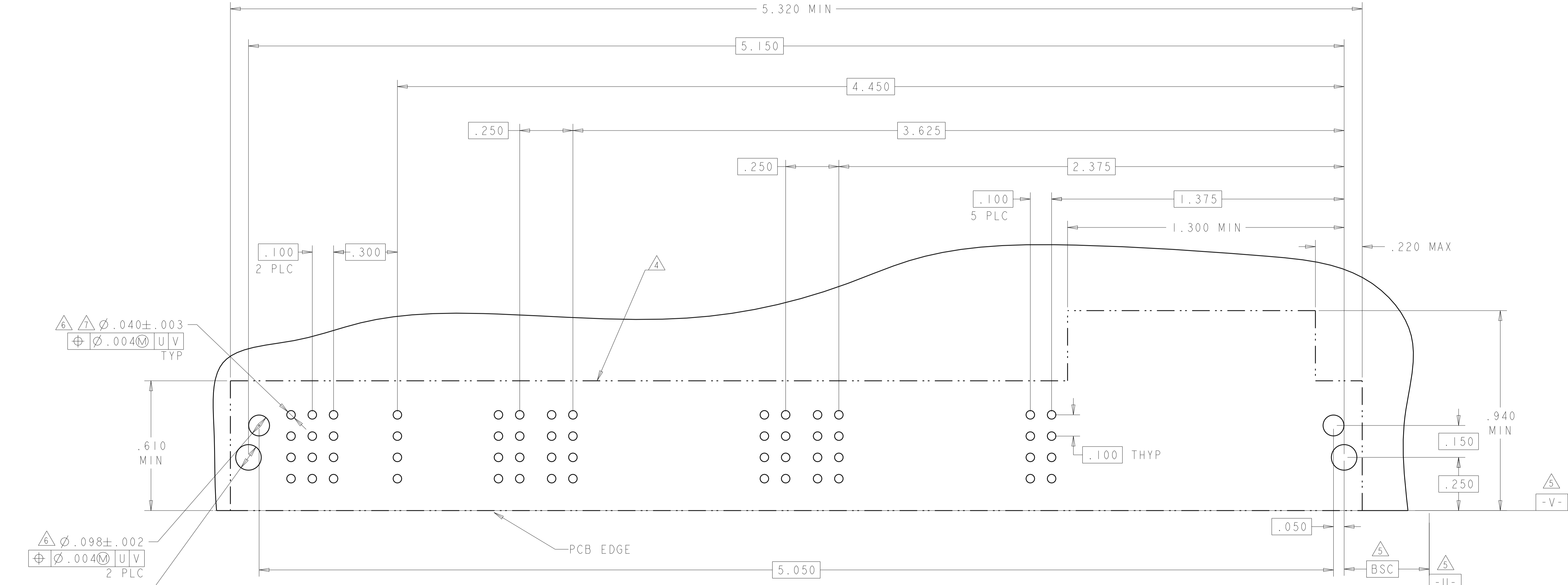
LOC		DIST		REVISIONS			
P	LTN	DESCRIPTION	DATE	DMN	APVD		
-	-	SEE SHEET 1	-	-	-		

PART NUMBER	ROWS	SIGNAL							POWER														
		7	6	5	4	3	2	1	P15	P14	P13	P12	P11	P10	P9	P8	P7	P6	P5	P4	P3	P2	P1
6450874-8	D C B A	H	H	H			H																
		G	G	G			G		RM	RM				RM	RM				RA	STD	STD	STD	
		F	F	F			F																
		E	E	E			E																

3ACP + 12P + 28S

NO CONTACTS LOADED

NO CONTACTS LOADED



$\phi .040 \pm .003$
 $\phi .004$ U V TYP

.610 MIN

$\phi .098 \pm .002$
 $\phi .004$ U V 2 PLC

$\phi .120$
 $\phi .004$ U V 2 PLC

THIS DRAWING IS A CONTROLLED DOCUMENT.

DMN: C. ZHOU	02JUN2009	STE TE Connectivity
CHK: S. ZHAO	02JUN2009	
DIMENSIONS: INCHES(MM)		NAME: RIGHT ANGLE RECEPTACLE ASSEMBLY A/C PASS THRU W/SLIM GUIDES MULTI-BEAM XLE
TOLERANCES UNLESS OTHERWISE SPECIFIED: 0 PLC ±. 1 PLC ±.01 2 PLC ±.01 3 PLC ±.005 4 PLC ±.0020 ANGLES ±.020		
MATERIAL: -	FINISH: -	RESTRICTED TO: -
CUSTOMER DRAWING		SCALE: 3:1 SHEET 8 OF 8 REV: B4

X-ON Electronics

Largest Supplier of Electrical and Electronic Components

Click to view similar products for [Power to the Board](#) category:

Click to view products by [TE Connectivity](#) manufacturer:

Other Similar products are found below :

[6450552-7](#) [6643429-1](#) [6646040-2](#) [6766604-1](#) [120959-1](#) [1393557-2](#) [1393532-2](#) [1393532-3](#) [1393532-4](#) [1393557-1](#) [1744132-7](#) [1766250-1](#)
[1892109-1](#) [1-6450850-6](#) [1-6450869-6](#) [1645526-2](#) [2005243-2](#) [377-0020-11130](#) [MC116N](#) [TE34-12-16P-F0](#) [51700-10201602AALF](#) [51970-004](#) [5-6450830-6](#) [4-6600333-3](#) [10125416-4050LF](#) [10130248-005LF](#) [6600320-3](#) [IPBT-103-H1-T-S-RA](#) [1888123-2](#) [6766605-1](#) [701-15-02109](#)
[6450810-7](#) [46437-1112](#) [6450813-2](#) [6450842-4](#) [10108877-R24403SLF](#) [1645523-1](#) [PSS-06-01-T-S](#) [FWS-03-04-T-S](#) [51760-10301603ABLF](#)
[MDF6-TA2022HC](#) [FWS-05-01-T-S](#) [51720-10206002AALF](#) [QE-POL-KEY](#) [FWS-08-01-T-S](#) [698-0075-04](#) [6651670-1](#) [MC120N](#) [2-1600788-6](#)
[1761385-3](#)