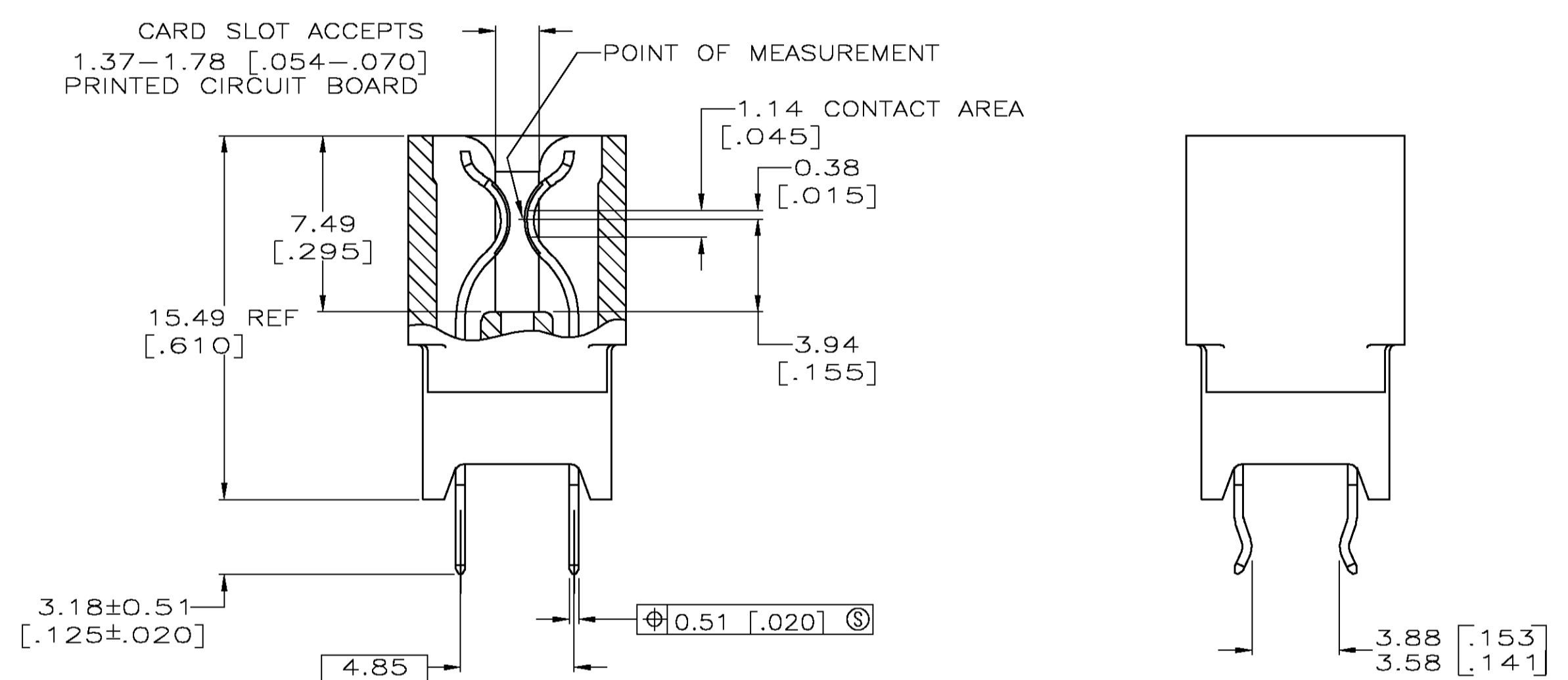


- 1 HOUSING: GLASS FILLED POLYESTER; COLOR: BLACK.
- 2 CONTACT: PHOSPHOR BRONZE.
- 3 NICKEL PLATE: 0.00127 [.000050] MIN - ALL OVER.
- 4 TIN-LEAD PLATE: 0.00254 [.000100] MIN-SOLDER POSTS.
- 5 GOLD PLATE: 0.00076 [.000030] MIN - CONTACT AREA.
- 6 NICKEL PLATE PER MIL-G-45204. GOLD PLATE PER QQ-N-290.
- 7 AMP PART NUMBER, DATE CODE AND CSA LOGO ARE MARKED IN APPROXIMATE AREA SHOWN, EITHER SIDE.
- 8. RECOMMENDED PCB FINISHED HOLE DIA: 1.02±0.08 [.040±.003].
- 9. THE RETENTIVE FEATURE OF THIS CONNECTOR IS DESIGNED FOR FULL SEATING IN .062±0.08 THICK CIRCUIT BOARDS. FOR APPLICATIONS IN BOARDS OF OTHER THICKNESSES CONTACT AMP INCORPORATED.
- 10 PACKAGED 20 CONNECTORS PER TUBE.
- 11 PACKAGED 72 CONNECTORS PER EPS TRAY.
- 12 GOLD PLATE: 0.00038 [.000015] MIN - CONTACT AREA.
- 13 PACKAGED IN SLIDE PACK.
- 14 PACKAGE 57 CONNECTORS IN TUBES.
- 15 DATUMS AND BASIC DIMENSIONS TO BE DETERMINED BY CUSTOMER.

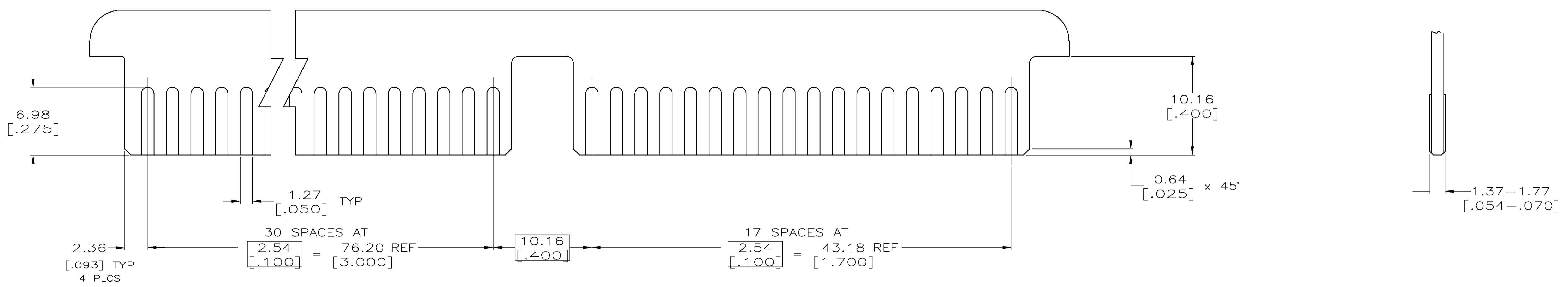


BOARD RETENTION FEATURE

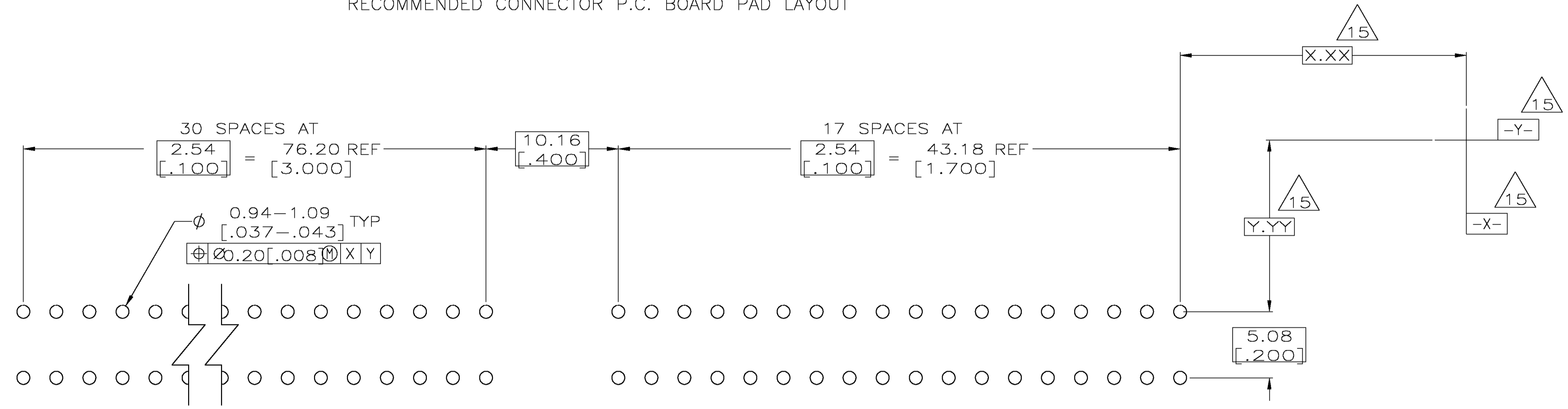
OBSOLETE	NOTE 5	NOTE 13			2-645169-4
OBSOLETE				49	1-645169-3
OBSOLETE	NOTE 5	NOTE 11		49	645169-9
OBSOLETE	NOTE 5	NOTE 11	3-6,41,42,51,52,93-96	49	645169-8
OBSOLETE	NOTE 5	NOTE 14	3-6, 41, 42, 51, 52, 93-96	49	645169-7
OBSOLETE	NOTE 5	NOTE 10		49	645169-6
OBSOLETE	NOTE 12	NOTE 11		49	645169-5
	NOTE 5	NOTE 11	5,6,31,32,41,42,93,94	49	645169-4
	NOTE 5	NOTE 11	-	49	645169-3
	NOTE 5	NOTE 11	5,6,31,32,41,42,93,94	49	645169-2
PLATING	PACKAGE	BOARD RETENTION LOCATION	NO OF POSN	PART NUMBER	

THIS DRAWING IS A CONTROLLED DOCUMENT.

DIMENSIONS: mm 0 PLC ± - 1 PLC ± - 2 PLC ± 0.13 [.005] 3 PLC ± - 4 PLC ± - ANGLES ± °	TOLERANCES UNLESS OTHERWISE SPECIFIED: 0 PLC ± - 1 PLC ± - 2 PLC ± 0.13 [.005] 3 PLC ± - 4 PLC ± - ANGLES ± °	DWN R BROWN 7/30/97 CHK M PAVLOVICH 7/30/97 APVD PRODUCT SPEC 108-9039 APPLICATION SPEC	Tyco Electronics Corporation Harrisburg, Pa 17105-3608 NAME CONNECTOR ASSEMBLY, STANDARD EDGE II, 2.54 [.100]
MATERIAL 1/2 FINISH 3/4/5	WEIGHT A1 00779 C=645169	SIZE CAGE CODE DRAWING NO A1 00779 C=645169	RESTRICTED TO CUSTOMER DRAWING SCALE 5:1 SHEET 1 OF 2 REV W



RECOMMENDED CONNECTOR P.C. BOARD PAD LAYOUT



RECOMMENDED CONNECTOR P.C. BOARD HOLE PATTERN

THIS DRAWING IS A CONTROLLED DOCUMENT.		DNW R BROWN 7/30/97		Tyco Electronics Corporation Harrisburg, Pa 17105-3608	
DIMENSIONS: mm		CHK M PAVLOVICH 7/30/97		NAME	CONNECTOR ASSEMBLY, STANDARD EDGE II, 2.54 [.100]
TOLERANCES UNLESS OTHERWISE SPECIFIED:		APVD	PRODUCT SPEC	RESTRICTED TO	
0 PLC ± -			108-9039	-	
1 PLC ± -			APPLICATION SPEC	-	
2 PLC ± ± 0.13 [.005]			SIZE	CAGE CODE	DRAWING NO
3 PLC ± ± -			A1	00779	645169
4 PLC ± ± -			WEIGHT	-	
ANGLES ± ± -			CUSTOMER DRAWING	SCALE	5:1
FINISH				SHEET	2 OF 2

## X-ON Electronics

Largest Supplier of Electrical and Electronic Components

*Click to view similar products for [Standard Card Edge Connectors](#) category:*

*Click to view products by [TE Connectivity](#) manufacturer:*

Other Similar products are found below :

[6565204-6](#) [PKC-156](#) [1437274-4](#) [147889-1](#) [1489165-4](#) [1-582587-1](#) [1-582589-1](#) [2-6437275-9](#) [284-0102-12100](#) [306022901000000](#) [307-012-502-202](#) [307-024-526-201](#) [307-056-520-300](#) [307-080-526-208](#) [245-062-520-350](#) [287-0032-12101](#) [306-028-525-102](#) [306-240-318](#) [307-036-502-202](#) [307-036-521-301](#) [307-072-526-202](#) [345-060-559-303](#) [368-004-520-201](#) [392-008-559-201](#) [534671-1](#) [5-530501-5](#) [341-240-317](#) [345-029-520-300](#) [345-030-500-301](#) [345-044-500-300](#) [345-220-058](#) [346-240-318](#) [357-030-526-201](#) [387-012-523-300](#) [395-044-520-300](#) [395-100-524-300](#) [50-12B-10](#) [50-6SN-5](#) [09-07-2032](#) [10035388-106LF](#) [10035388-802LF](#) [10122859-009LF](#) [530555-1](#) [EBT156-15A2X](#) [2007209-1](#) [5-678046-1](#) [1766200-1](#) [650231-6](#) [650289-1](#) [73726-0005](#)