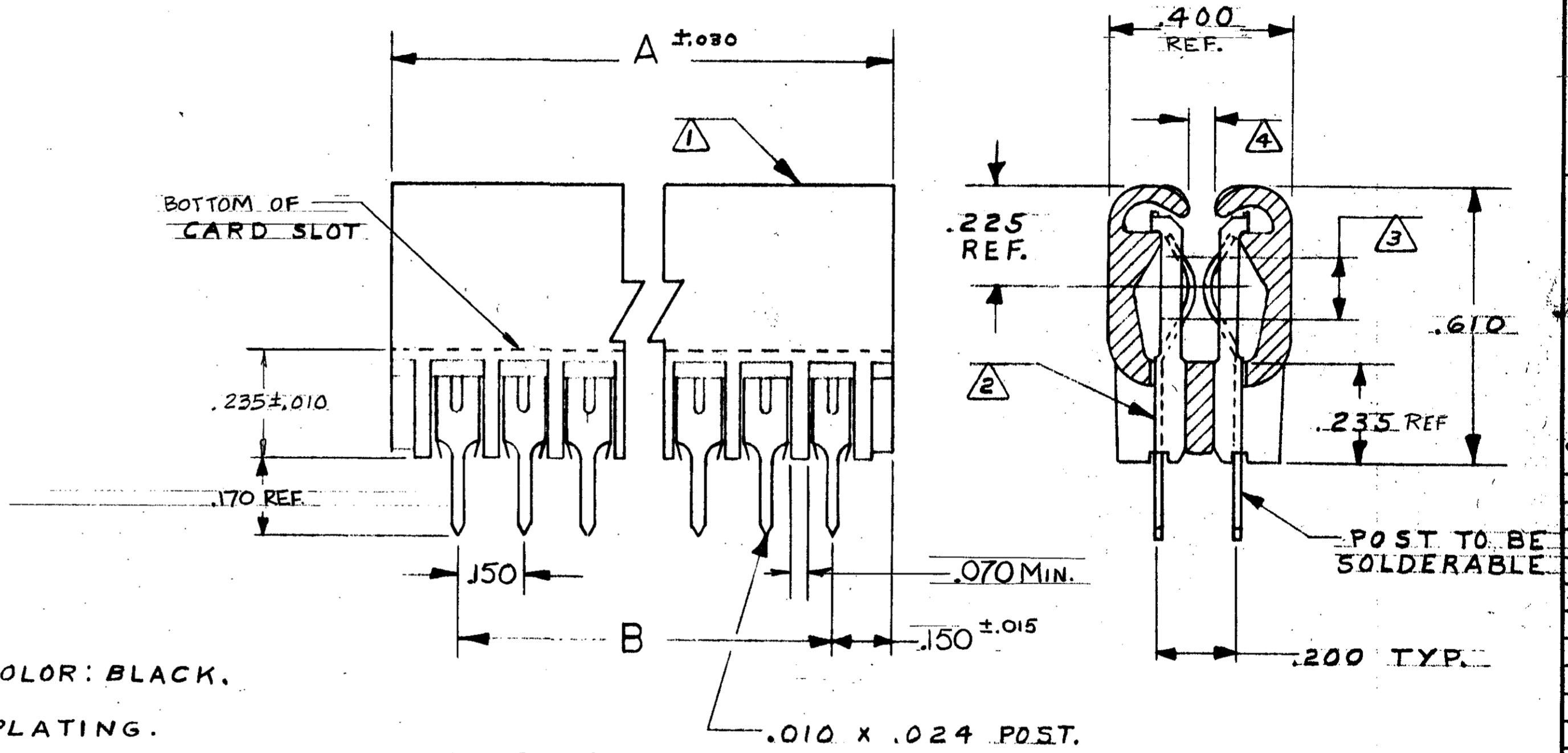


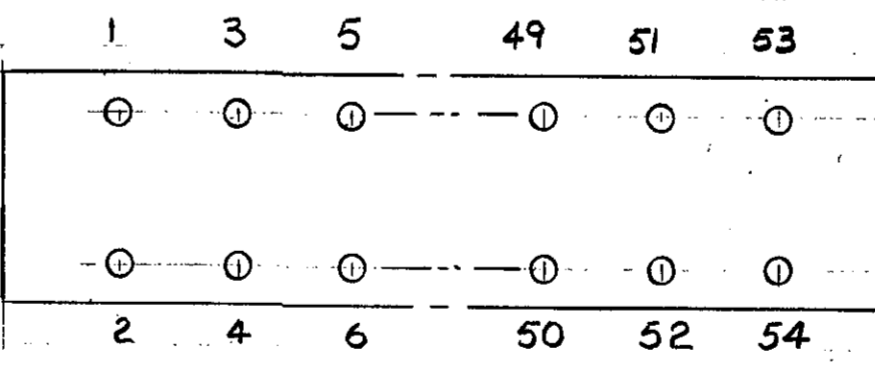
THIS DRAWING IS UNPUBLISHED. RELEASED FOR PUBLICATION
 © COPYRIGHT 19 BY AMP INCORPORATED, HARRISBURG, PA. ALL INTERNATIONAL RIGHTS RESERVED. AMP PRODUCTS MAY BE COVERED BY U.S. AND FOREIGN PATENTS AND/OR PATENTS PENDING.

PART NUMBER	NO. OF POSITION	A	B	OMIT CONTACTS FROM CAVITIES:	FINISH
645275-1	27	4.200	3.900	3,4,5,6,13,14,15,16,43,44,45,46	3
5-645275-1	27	4.200	3.900	3,4,5,6,13,14,15,16,43,44,45,46	5

REVISIONS					
P	F	ZONE	LTR	DESCRIPTION	DATE APPROVED
				REL. 64-14407-3	1-85 Ray J.
				REV PER AD 1698	8-5-87 LEW
				REV PER AD 1868	3-88 LEW
				REV 0010-0252-93	3-8-93 RB/UM
				REV PER EC 0320-209-97	7-7-97 NS
				REV PER EC 0G3C-515-05	18-JAN-0



- 1 HOUSING: GLASS FILLED POLYESTER, COLOR: BLACK.
- 2 CONTACT: PHOSPHORUS BRONZE.
- 3 FINISH: .000015 GOLD SELECTIVE PLATING.
- 4 FIT FOR .055 - .070 P.C. BOARD.
- 5 MATTE TIN PLATED TAILS.



CIRCUIT IDENTIFICATION
 VIEWED FROM SOLDER POST.

UNLESS OTHERWISE SPECIFIED DIMENSIONS ARE IN INCHES. TOLERANCES ON: DECIMALS ±.005 ANGLES ±		CONTRACT NO		PART NO	
MATERIAL		DR <i>Ray Johnston</i> 1-22-85		AMP AMP INCORPORATED Harrisburg, Pa. 17106	
FINISH SEE TABLE		CHR <i>Ray Johnston</i> 1-22-85		NAME HOUSING ASSEMBLY, TWIN LEAF, .150 C, SOLDER TYPE POST.	
		APPD <i>Ray Johnston</i> 1-22-85		SIZE C	
		APPD <i>J. Blunk</i> 1-24-85		FSCM NO 00779	
		DSGN APPD		DRAWING NO 645275	
		OTHER APPD		SCALE 4-1	
				SHEET 1 OF 1	

X-ON Electronics

Largest Supplier of Electrical and Electronic Components

Click to view similar products for [Standard Card Edge Connectors](#) category:

Click to view products by [TE Connectivity](#) manufacturer:

Other Similar products are found below :

[6565204-6](#) [PKC-156](#) [1437274-4](#) [147889-1](#) [1489165-4](#) [EBT156-12B1X](#) [EBT15622B2X](#) [EBT156-22R2W](#) [1-582587-1](#) [1-582589-1](#) [2-6437275-9](#) [284-0102-12100](#) [306022901000000](#) [307-012-502-202](#) [307-024-526-201](#) [307-056-520-300](#) [307-080-526-208](#) [1926088-2](#) [245-062-520-350](#) [287-0032-12101](#) [306-010-500-112](#) [306-028-525-102](#) [306-240-318](#) [307-036-502-202](#) [307-036-521-301](#) [307-072-526-202](#) [345-060-559-303](#) [368-004-520-201](#) [392-008-559-201](#) [534671-1](#) [5-530501-5](#) [341-240-317](#) [345-029-520-300](#) [345-030-500-301](#) [345-044-500-300](#) [345-220-058](#) [346-240-318](#) [387-012-523-300](#) [395-044-520-300](#) [395-100-524-300](#) [50-12B-10](#) [50-6SN-5](#) [09-07-2032](#) [10035388-106LF](#) [10035388-802LF](#) [10115859-011LF](#) [10122859-009LF](#) [101269333204245CLF](#) [10127905-B04B24BLF](#) [530555-1](#)