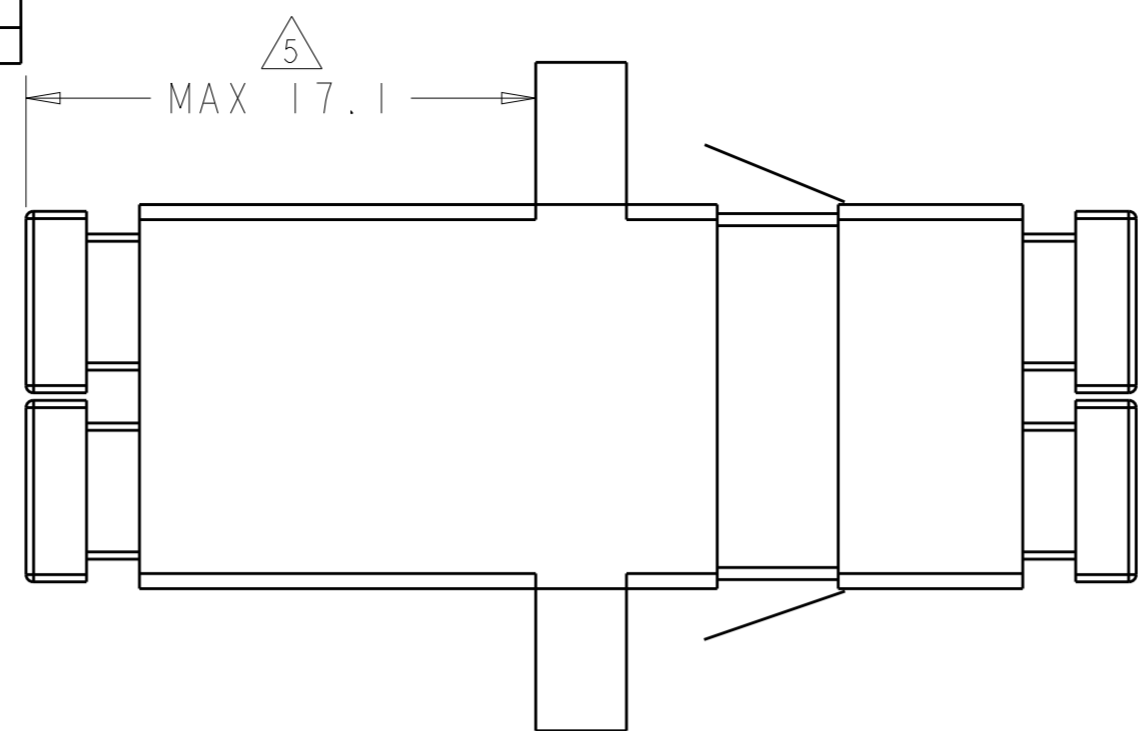


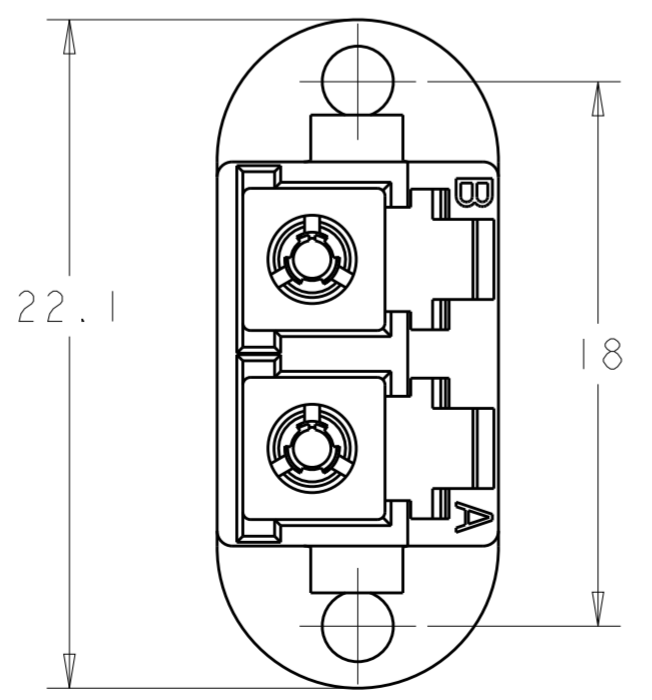
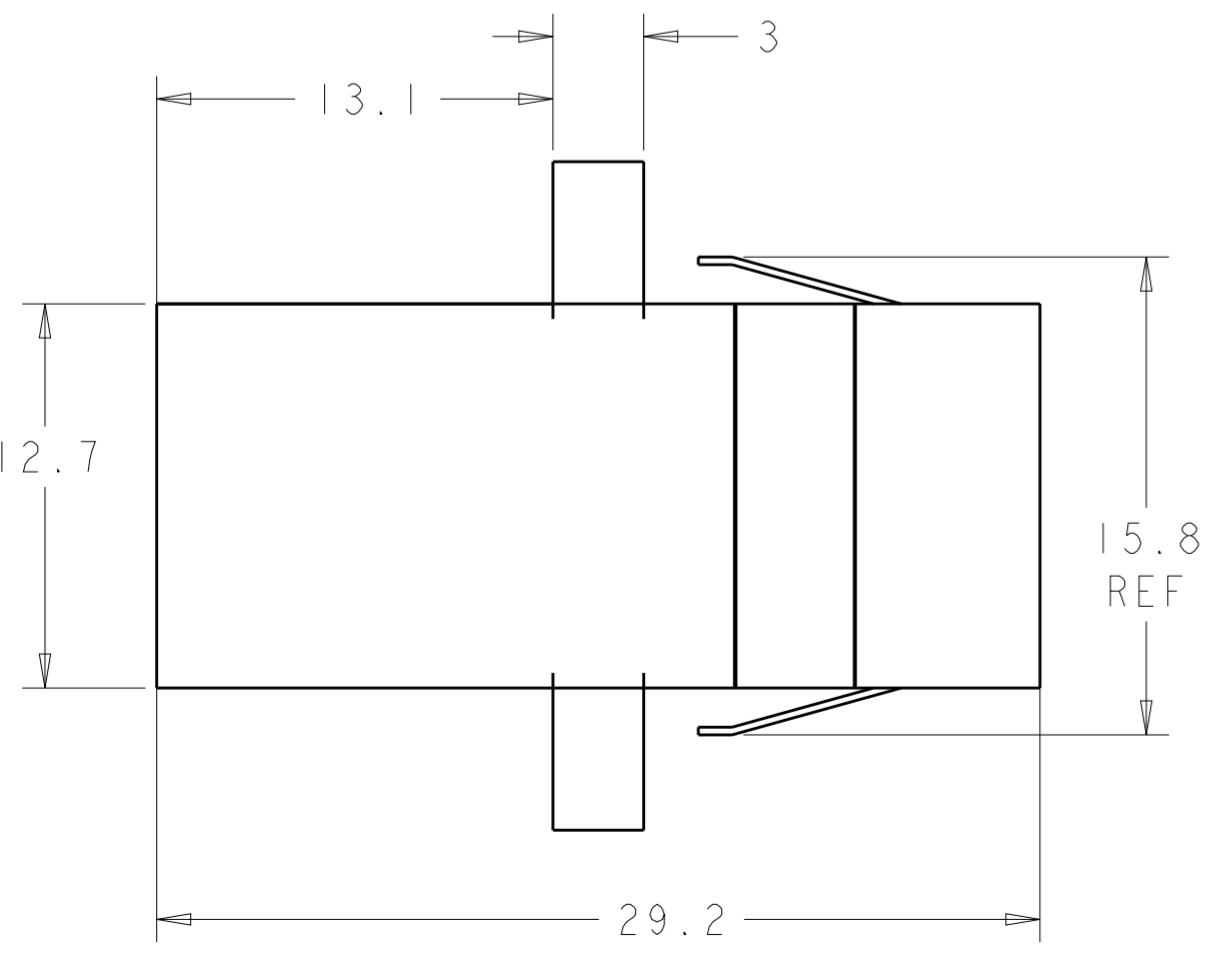
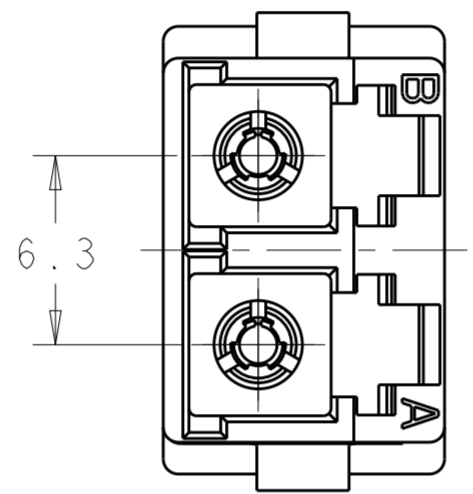
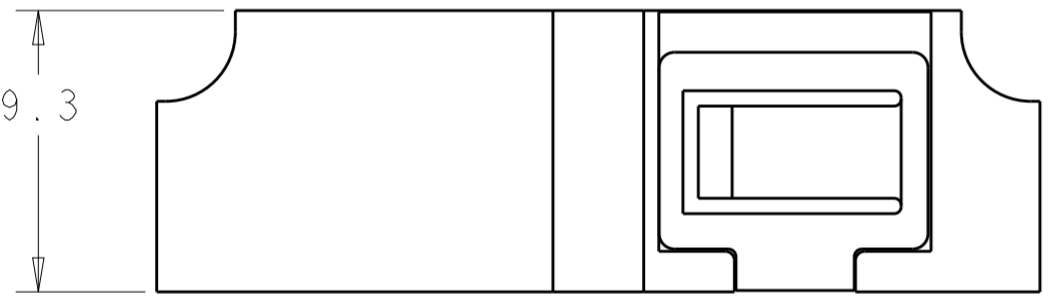
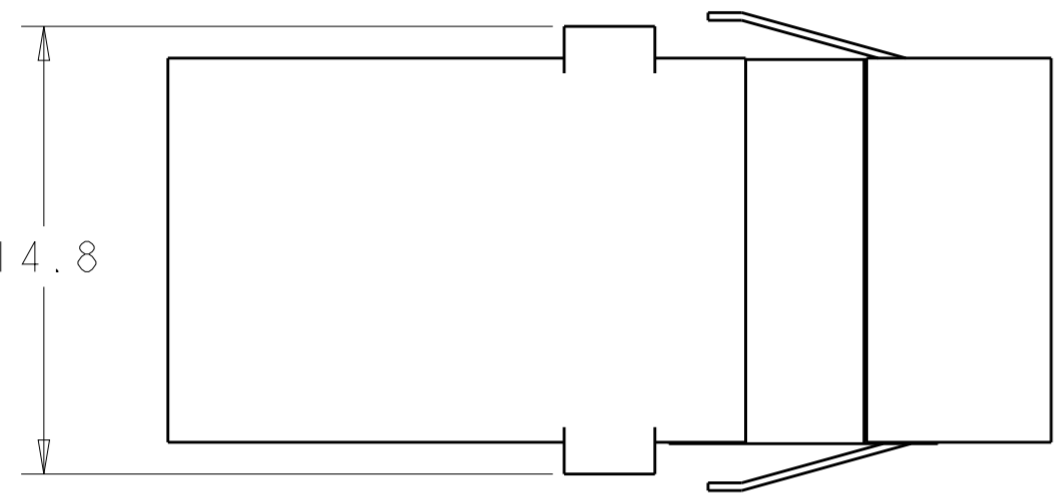
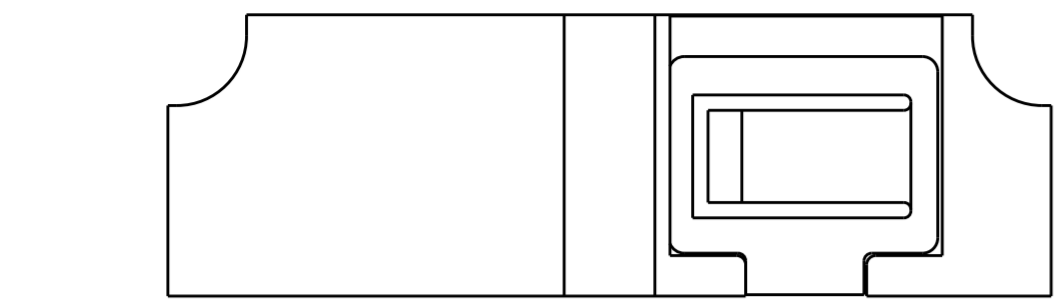
THIS DRAWING IS UNPUBLISHED. RELEASED FOR PUBLICATION
 © COPYRIGHT - ALL RIGHTS RESERVED.

LOC		DIST		REVISIONS			
P	LTR	DESCRIPTION	DATE	DWN	APVD		
HG	-	F1	REVISE PER ECR-10-005865	26MAR2010	IL	CT	
		F2	REVISE PER ECR-10-024519	06MAY2011	LL	CT	
		F3	ADD NEW DASH 2-6	15MAY2013	SW	RZ	
		F4	ADD LENGTH WITH CAP FOR 2-6	19JUN2013	SW	RZ	



1 MATERIAL:
 HOUSING: THERMOPLASTIC, UL 94-V0
 PROTECTIVE PLUGS: THERMOPLASTIC ELASTOMER
 ALIGNMENT SLEEVES: SEE TABLE
 RETENTION CLIP: SST

- 2. DUPLEX PROTECTIVE PLUGS ARE SUPPLIED, NOT SHOWN.
- 3. RETENTION CLIP IS NOT INCLUDED.
- 4. ADAPTER HAS A LOGO.
- 5. THE DIMENSION IS ONLY FOR 2-6457567-6.



SLEEVE MAT'L	HOUSING COLOR	DESCRIPTION	PART NUMBER	
5 3	CERAMIC	BLUE	FLANGED	2-6457567-6
4	CERAMIC	BEIGE	FLANGED	2-6457567-5
4	CERAMIC	BLUE	FLANGED	2-6457567-4
4	CERAMIC	BEIGE	FLANGELESS	2-6457567-3
4	CERAMIC	BLUE	FLANGELESS	2-6457567-2
	METAL	BLACK	FLANGED	2-6457567-1
	METAL	AQUA	FLANGED	2-6457567-0
	METAL	BLACK	FLANGELESS	1-6457567-9
	METAL	AQUA	FLANGELESS	1-6457567-8
	CERAMIC	BLACK	FLANGED	1-6457567-7
	CERAMIC	AQUA	FLANGED	1-6457567-6
	CERAMIC	BLACK	FLANGELESS	1-6457567-5
	CERAMIC	AQUA	FLANGELESS	1-6457567-4
	METAL	BLUE	FLANGED	1-6457567-3
3	CERAMIC	BLUE	FLANGELESS	1-6457567-2
3	CERAMIC	BEIGE	FLANGELESS	1-6457567-1
3	CERAMIC	BLUE	FLANGED	1-6457567-0
3	CERAMIC	BEIGE	FLANGED	6457567-9
	METAL	BEIGE	FLANGED	6457567-8
	METAL	BEIGE	FLANGELESS	6457567-7
	CERAMIC	GREEN	FLANGED	6457567-6
	CERAMIC	BEIGE	FLANGED	6457567-5
	CERAMIC	BLUE	FLANGED	6457567-4
	CERAMIC	GREEN	FLANGELESS	6457567-3
	CERAMIC	BEIGE	FLANGELESS	6457567-2
	CERAMIC	BLUE	FLANGELESS	6457567-1

SUPERSEDED BY:
2125019-2

SUPERSEDED BY:
2125019-1

THIS DRAWING IS A CONTROLLED DOCUMENT.

DIMENSIONS: mm

TOLERANCES UNLESS OTHERWISE SPECIFIED:

0 PLC	±0.1
1 PLC	±0.1
2 PLC	±0.1
3 PLC	±
4 PLC	±
ANGLES	±
FINISH	±

MATERIAL: 1

APVD: S. BUCHTER 03JUN2005

CHK: D. ROHDE 03JUN2005

DWN: E. HOPKINS 03JUN2005

TE Connectivity

NAME: ADAPTER, DUPLEX LC, SR-SR, SC ENVELOPE

SIZE: A2

DRAWING NO: 6457567

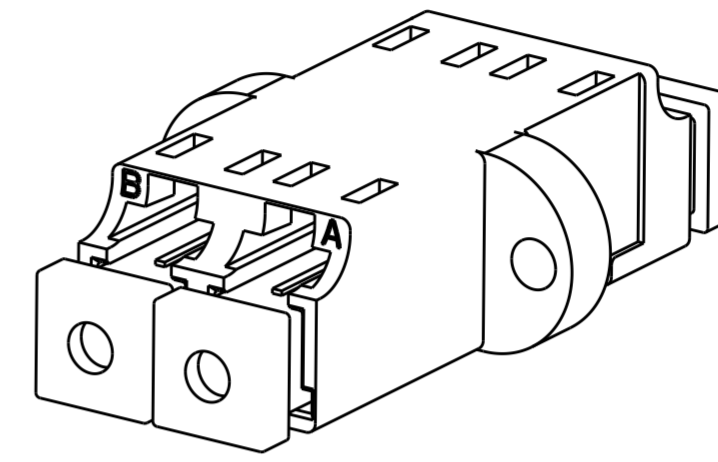
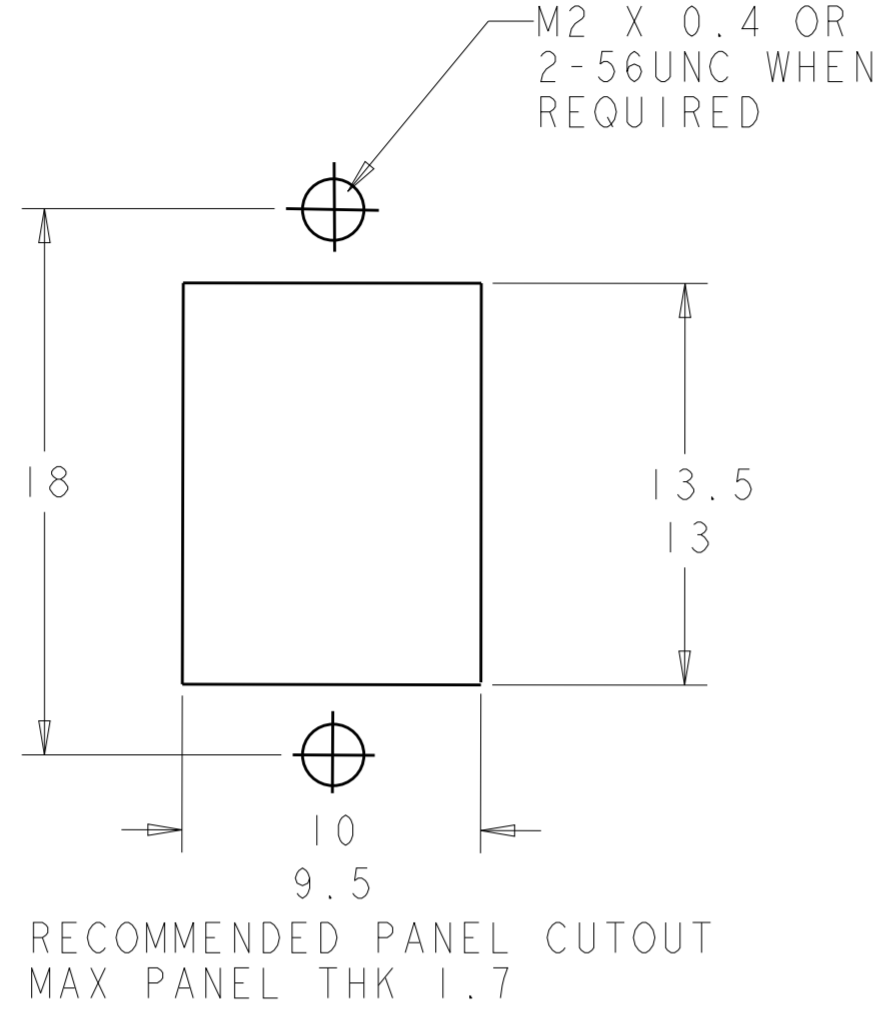
SCALE: 4:1

SHEET 1 OF 2

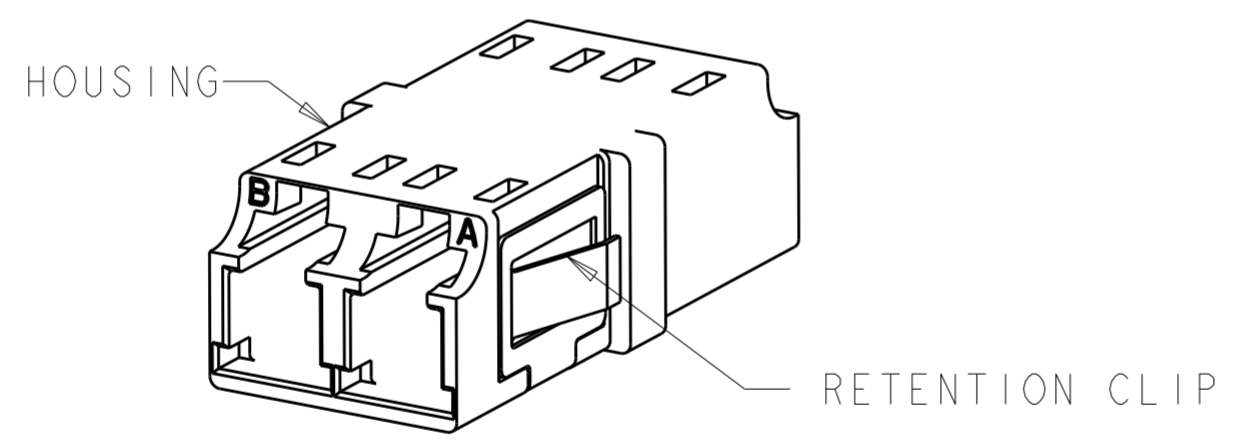
REV F4

THIS DRAWING IS UNPUBLISHED. RELEASED FOR PUBLICATION
 © COPYRIGHT - ALL RIGHTS RESERVED.

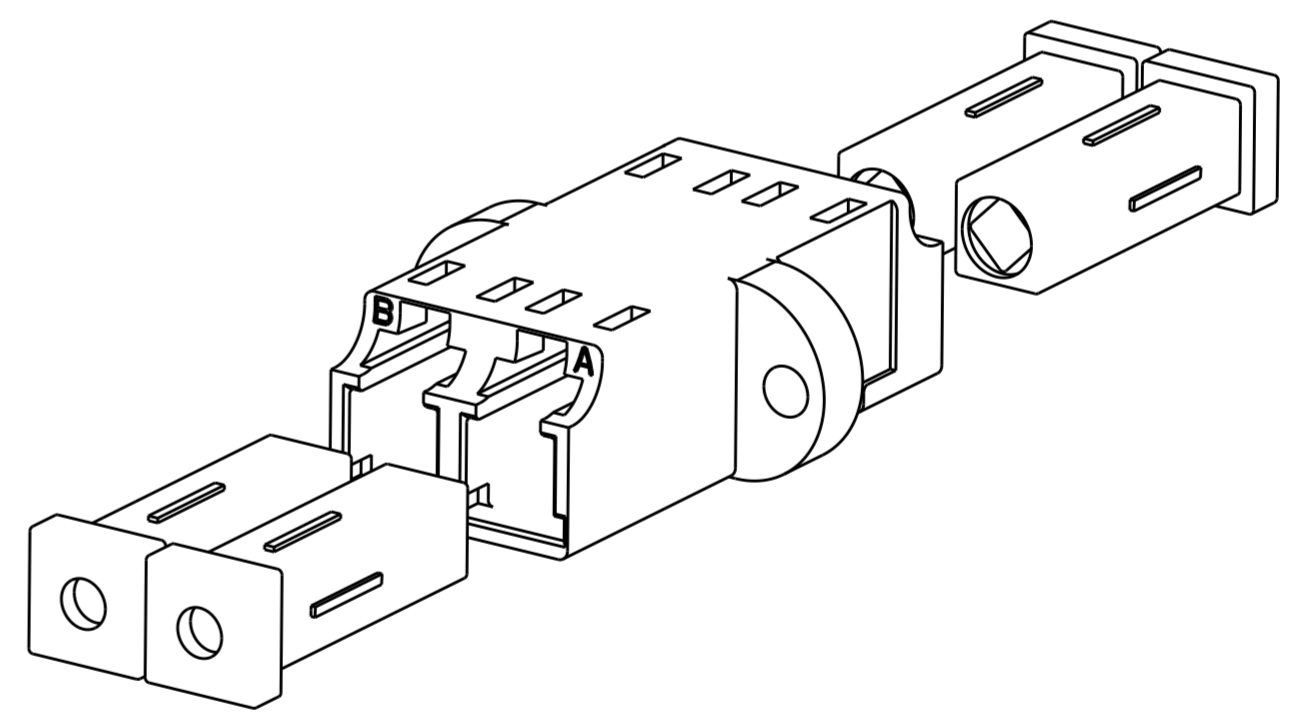
LOC		DIST		REVISIONS			
P	LTR	DESCRIPTION	DATE	DWN	APVD		
-	-	SEE SHEET 1	-	-	-		



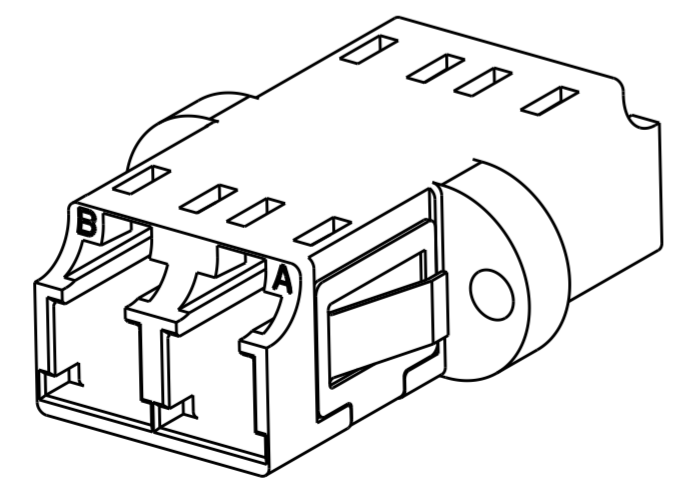
2-6457567-6 IS SHOWN
SCALE 3:1



FLANGELESS
SCALE 3:1



2-6457567-6 EXPLODE VIEW IS SHOWN
SCALE 3:1



FLANGED
SCALE 3:1

THIS DRAWING IS A CONTROLLED DOCUMENT.		DWN E. HOPKINS 03 JUN 2005	TE Connectivity	
DIMENSIONS: mm		CHK D. ROHDE 03 JUN 2005		
TOLERANCES UNLESS OTHERWISE SPECIFIED:		APVD S. BUCHTER 03 JUN 2005	NAME ADAPTER, DUPLEX LC, SR-SR, SC ENVELOPE	
0 PLC ±0.1 1 PLC ±0.1 2 PLC ±0.1 3 PLC ± 4 PLC ±		PRODUCT SPEC	SIZE A2	CAGE CODE C-6457567
ANGLES ± FINISH -		APPLICATION SPEC	DRAWING NO C-6457567	RESTRICTED TO
MATERIAL -		WEIGHT -	SCALE 4:1	SHEET 2 OF 2
		CUSTOMER DRAWING	REV F3	

X-ON Electronics

Largest Supplier of Electrical and Electronic Components

Click to view similar products for [Fibre Optic Connectors](#) category:

Click to view products by [TE Connectivity](#) manufacturer:

Other Similar products are found below :

[0004700001](#) [6100-R](#) [6313](#) [F709034706](#) [F709722200](#) [F709730000](#) [F718183204](#) [F727403500](#) [F727752800](#) [8119](#) [9440F20-27S-190](#) [944-120-6001](#) [9441F10SL-3S](#) [9444W28-21S](#) [9444W36-10S](#) [9446F10SL-4S](#) [9446W20-16S](#) [953-101-5310-P](#) [954-101-57202B](#) [A0270169](#) [12-9122](#) [12-5702](#) [AX101713](#) [AX102420](#) [AX103923](#) [AX104024](#) [AX104193](#) [AX104230](#) [AX104562](#) [AX105203-B25](#) [AX105205-S1](#) [EHSC2M](#) [181-011-126](#) [181-011-S](#) [181-057-126](#) [HRFC-R2\(40\)](#) [NKSOPBUY](#) [20500002116](#) [2064996-1](#) [20800001065](#) [2170](#) [9132](#) [2612](#) [2620](#) [9291](#) [9440F16-10S](#) [9440F20-18S](#) [9446F16-10S-190](#) [953-106-50231](#) [953-120-5003](#)