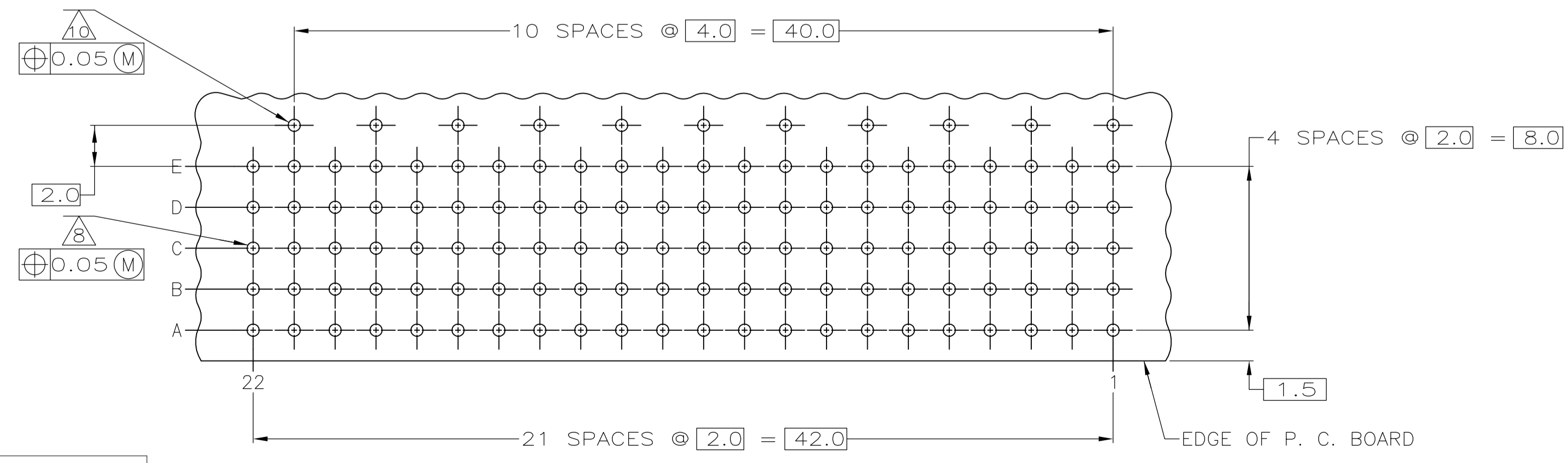
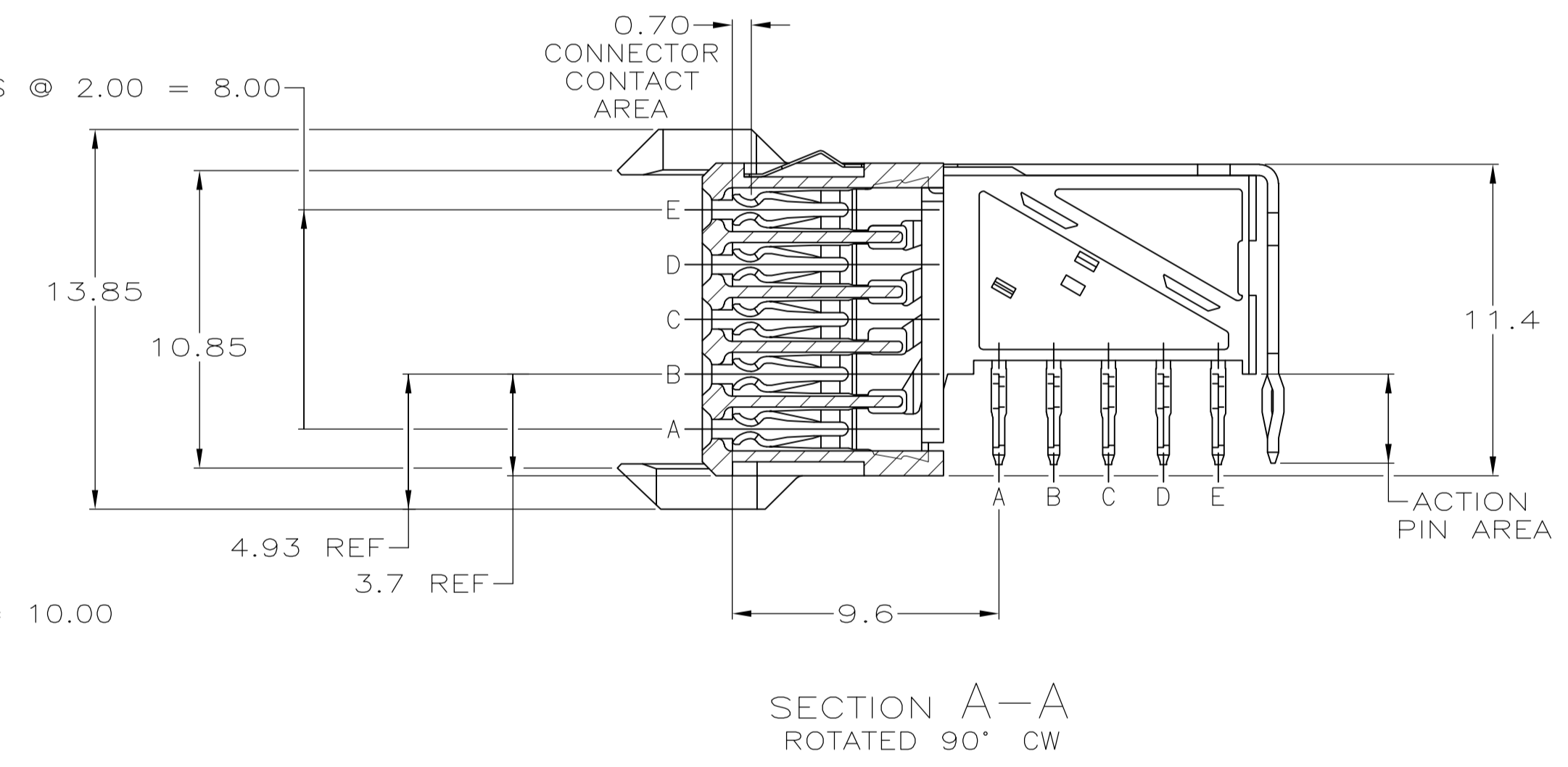
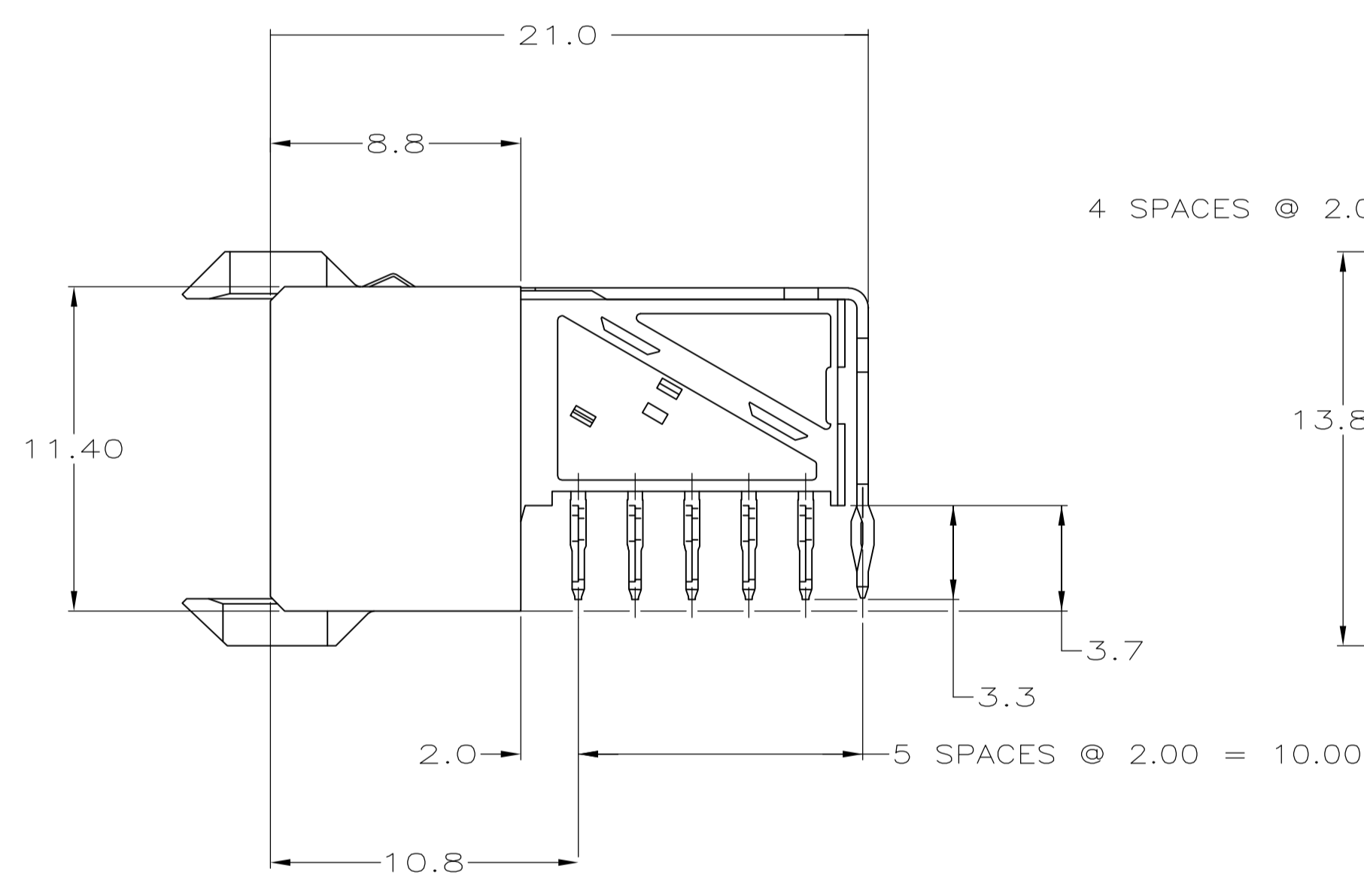
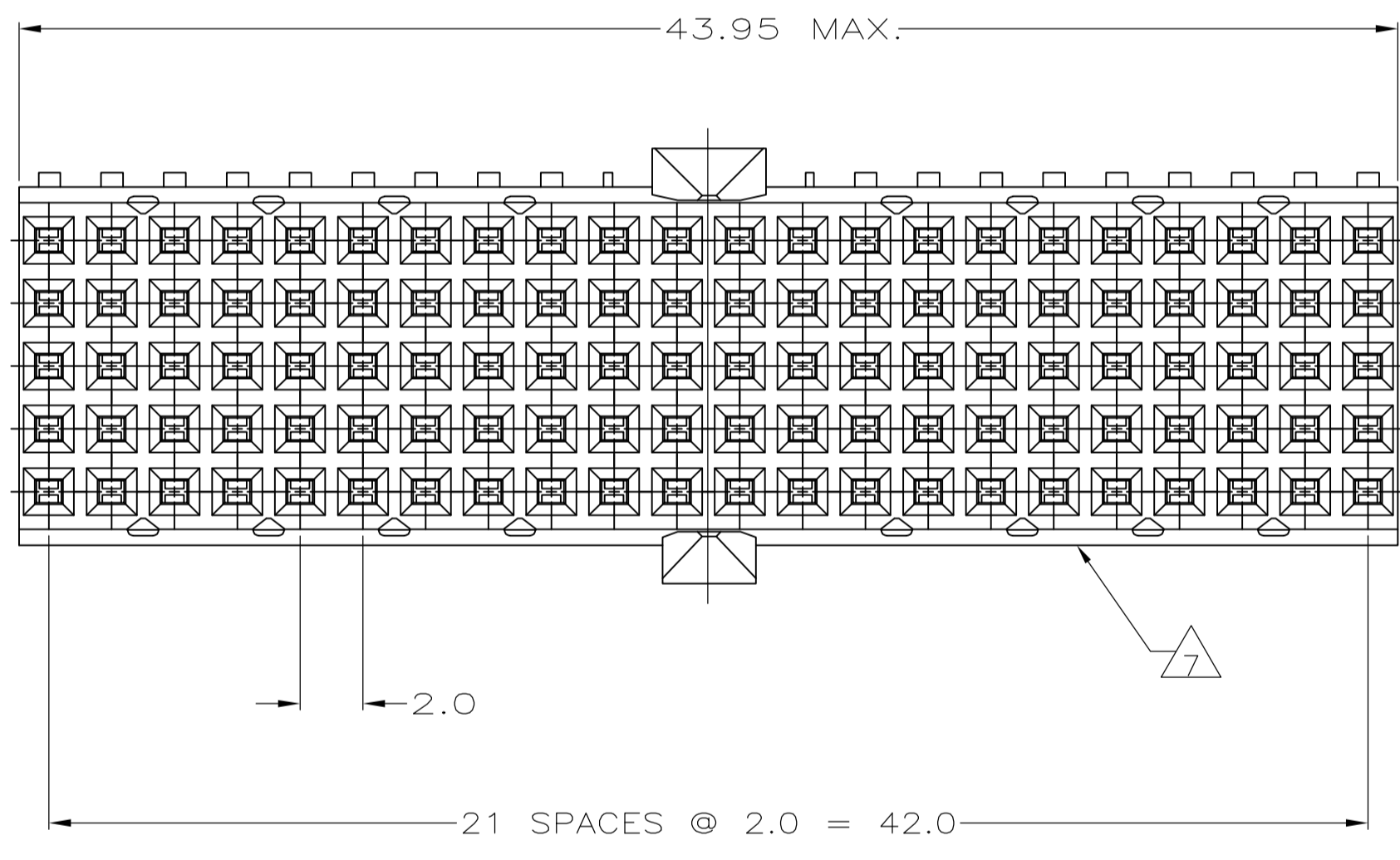
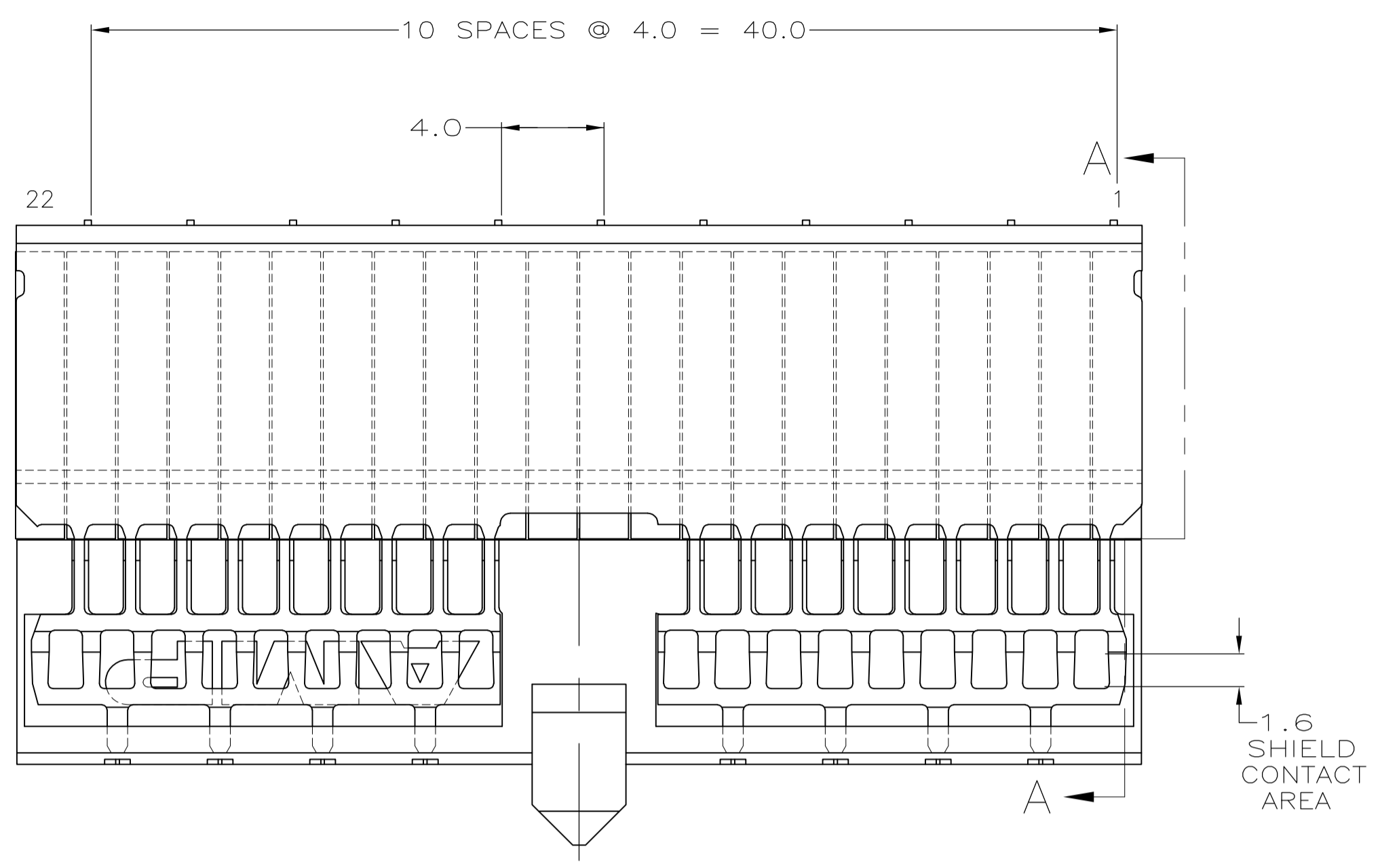


REVISONS		DATE	BY	APPV
B2	REV PER ECR-09-027136	11DEC2009	JY	SY
C	ECR-10-018652	10SEP10	SW	MQW
D	ECO-11-024491	13DEC11	SY	MQW
E	ECR-12-010544	05DEC12	SY	AC

- 1 MATERIAL:  
CONTACT: PHOSPHOR BRONZE.  
HOUSING: GLASS-FILLED POLYESTER.
- 2 GENERAL PLATING SPECIFICATION: UNDERPLATING  
(ENTIRE CONTACT): 1.27µm MIN NICKEL AND ACTION  
PIN: 0.5µm MIN TIN/LEAD.  
FOR PLATING OF MATING SURFACES SEE APPLICABLE  
SPECIFICATION REFERENCE FOR EACH DASH NUMBER.
- 3 CONFORMS TO ALL TESTING ACCORDING TO IEC 61076-4-101  
PERFORMANCE LEVEL 2.
- 4 CONFORMS TO ALL TESTING ACCORDING TO IEC 61076-4-101  
PERFORMANCE LEVEL 1.
- 5 CONNECTOR TESTED AND QUALIFIED AGAINST TELCORDIA GR-1217-CORE QUALITY LEVEL 3,  
CENTRAL OFFICE APPLICATIONS.
- 6 CONNECTOR TESTED AND QUALIFIED AGAINST TELCORDIA GR-1217-CORE QUALITY LEVEL 3,  
UNCONTROLLED ENVIROMENT APPLICATIONS.
- 7 CONNECTOR MARKED WITH PART NUMBER AND DATE CODE.  
ADDITIONAL CHARACTERS OR MARKINGS, AS WELL AS THE LOCATION OF THE MARKINGS,  
MAY BE ADDED FOR TRACEABILITY BASED UPON MANUFACTURERS DISCRETION.
- 8 PLATED-THROUGH HOLES AT 2x2mm SQUARE GRID  
PATTERN DEFINED BY CONTACT LAYOUT.
- 9 CONNECTOR LUBRICATED WITH BELCORE APPROVED LUBRICANT,  
TECHNICAL REFERENCE: TR-NWT-001217 ISSUE 1, SEP 1992.
- 10 10 PLATED THROUGH HOLES FOR UPPER SHIELD, ROW F.
- 11 SHIELD MOUNTED TO CONNECTOR WITH DOUBLE SIDED ADHESIVE TAPE OR ADHESIVE.
- 12 0.76µm MIN GOLD PLATING AT MATING SURFACES.



PLATED THRU HOLES PARAMETERS  
 REFERENCE APPLICATION SPECIFICATION

**RECOMMENDED PCB-HOLE LAYOUT**  
 COMPONENT SIDE SHOWN  
 SCALE 2.5:1

FINISH	PART NUMBER
2 3 12	3-646489-0
2 6 9	1-646489-9
2 5 9	646489-9
2 4	646489-4
2 3	646489-1

THIS DRAWING IS A CONTROLLED DOCUMENT.		DIN B CARDO 06DEC05	Tyco Electronics Corporation 's-Hertogenbosch, Nederland	
DIMENSIONS: mm		06DEC05	Tyco Electronics Corporation	
TOLERANCES UNLESS OTHERWISE SPECIFIED:		06DEC05	Tyco Electronics Corporation	
0-PLC ±		06DEC05	Tyco Electronics Corporation	
1-PLC ± 0.2		06DEC05	Tyco Electronics Corporation	
2-PLC ± 0.02		06DEC05	Tyco Electronics Corporation	
3-PLC ±		06DEC05	Tyco Electronics Corporation	
4-PLC ±		06DEC05	Tyco Electronics Corporation	
ANGLES ±		06DEC05	Tyco Electronics Corporation	
MATERIAL		06DEC05	Tyco Electronics Corporation	
FINISH SEE TABLE		06DEC05	Tyco Electronics Corporation	
WEIGHT		06DEC05	Tyco Electronics Corporation	
CUSTOMER DRAWING		06DEC05	Tyco Electronics Corporation	
SIZE A1		06DEC05	Tyco Electronics Corporation	
CAGE CODE 00779		06DEC05	Tyco Electronics Corporation	
DRAWING NO. 646489		06DEC05	Tyco Electronics Corporation	
RESTRICTED TO		06DEC05	Tyco Electronics Corporation	
SCALE 5:1		06DEC05	Tyco Electronics Corporation	
SHEET 1 OF 1		06DEC05	Tyco Electronics Corporation	
REV E		06DEC05	Tyco Electronics Corporation	

## X-ON Electronics

Largest Supplier of Electrical and Electronic Components

*Click to view similar products for [Hard Metric Connectors](#) category:*

*Click to view products by [TE Connectivity](#) manufacturer:*

Other Similar products are found below :

[10146110-VR5C](#) [6345127-1](#) [646916-9](#) [853016](#) [973108](#) [1-2000676-2](#) [1-2000713-0](#) [1-2000713-2](#) [1-2000713-3](#) [134187](#) [1645343-1](#) [1645456-1](#) [1645601-1](#) [1934822-1](#) [223085-1](#) [278071110010833](#) [1645245-1](#) [1645525-1](#) [1645570-1](#) [1645596-1](#) [1857470-1](#) [1934275-1](#) [1934289-1](#) [1934759-1](#) [2000673-1](#) [204975](#) [2170292-2](#) [2-536642-6](#) [3-100668-0](#) [352188-1](#) [352629-1](#) [3-646346-0](#) [3-646457-0](#) [3-646529-0](#) [5120823-1](#) [5120899-1](#) [3-100145-0](#) [3-100147-0](#) [3-100669-1](#) [HM2DK2368PLF](#) [5646530-1](#) [3-352049-0](#) [3-352069-0](#) [3-352115-0](#) [3-352638-0](#) [352189-1](#) [3-646357-0](#) [3-646487-0](#) [3-646513-0](#) [51208191](#)