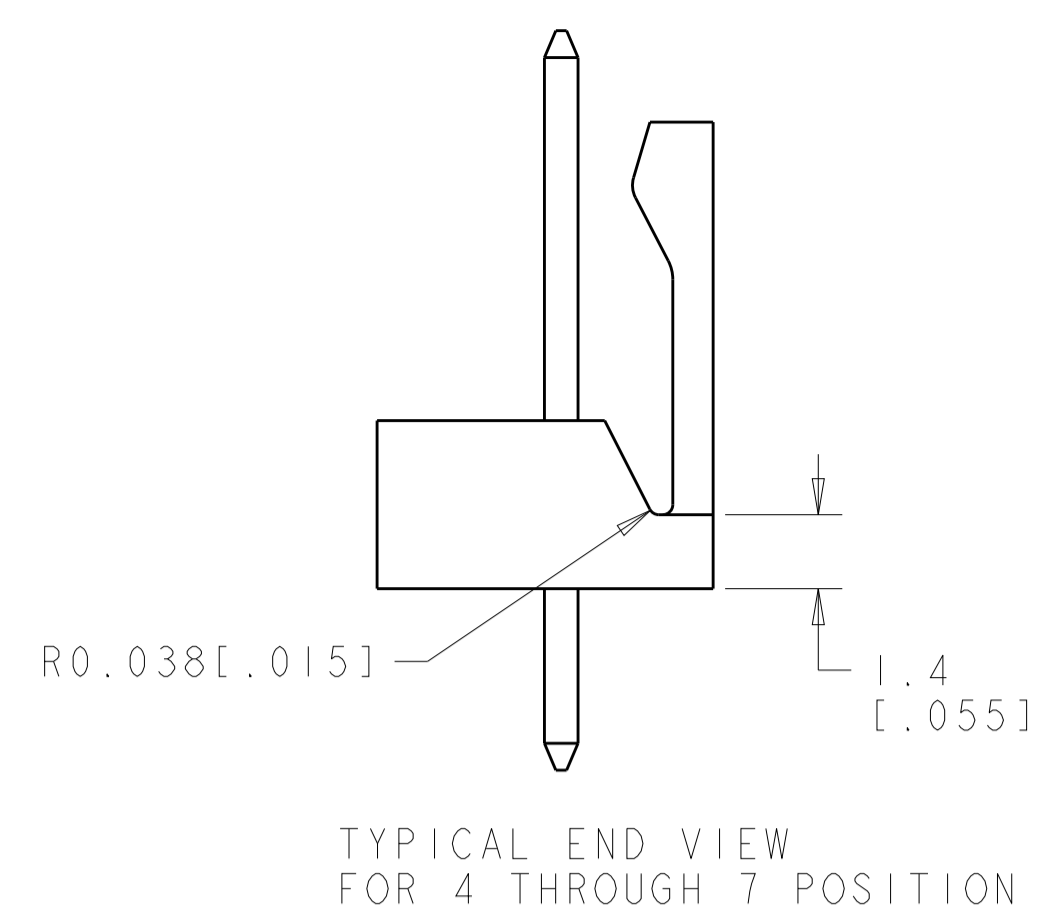
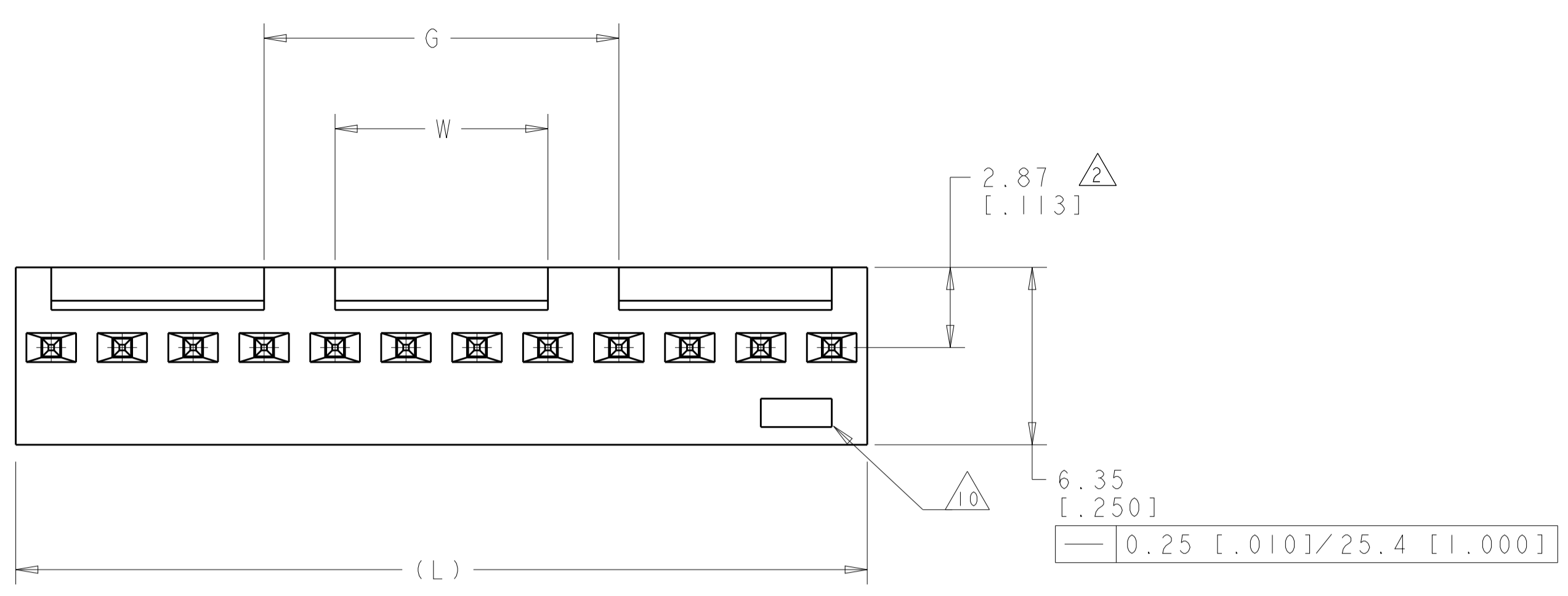
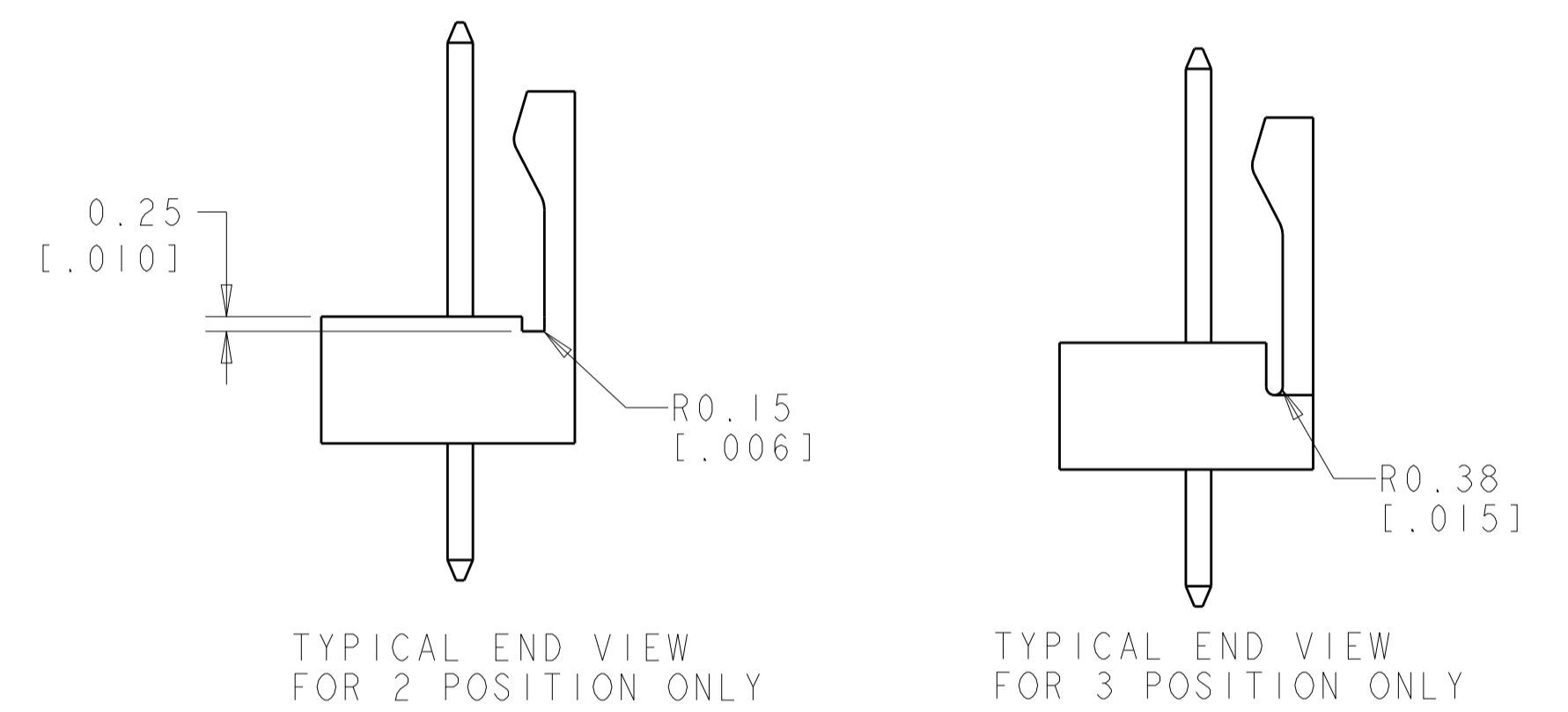
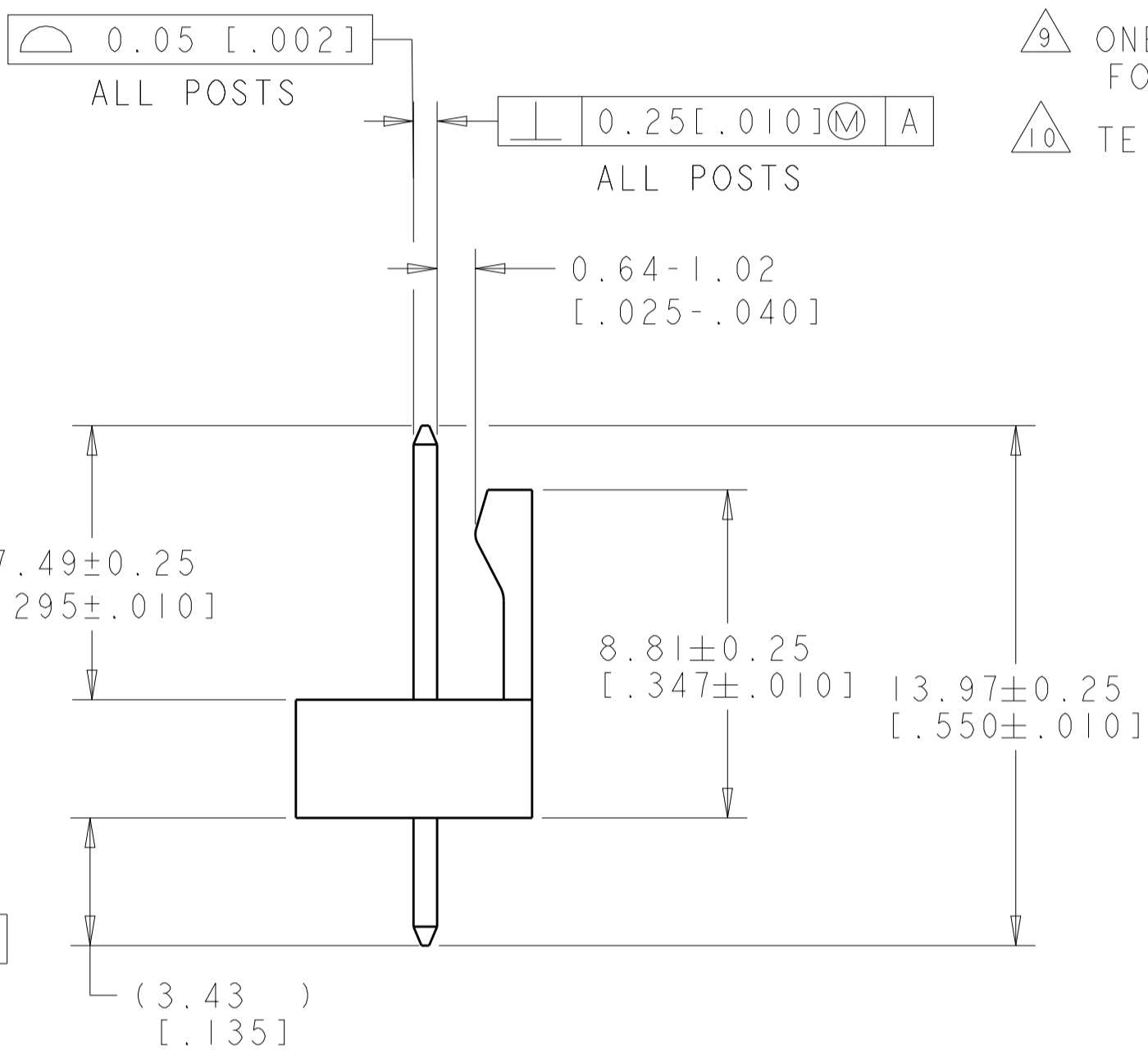
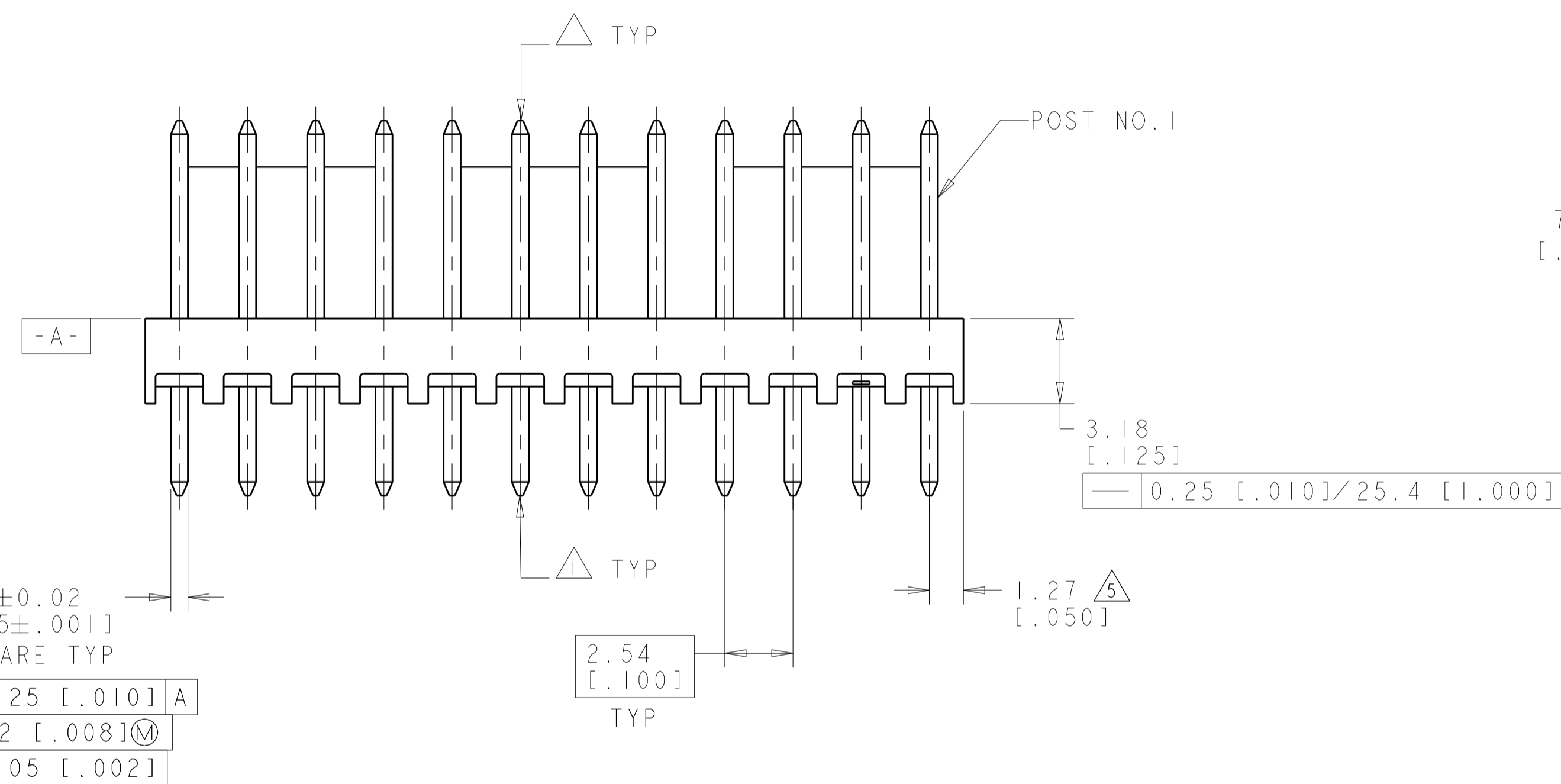


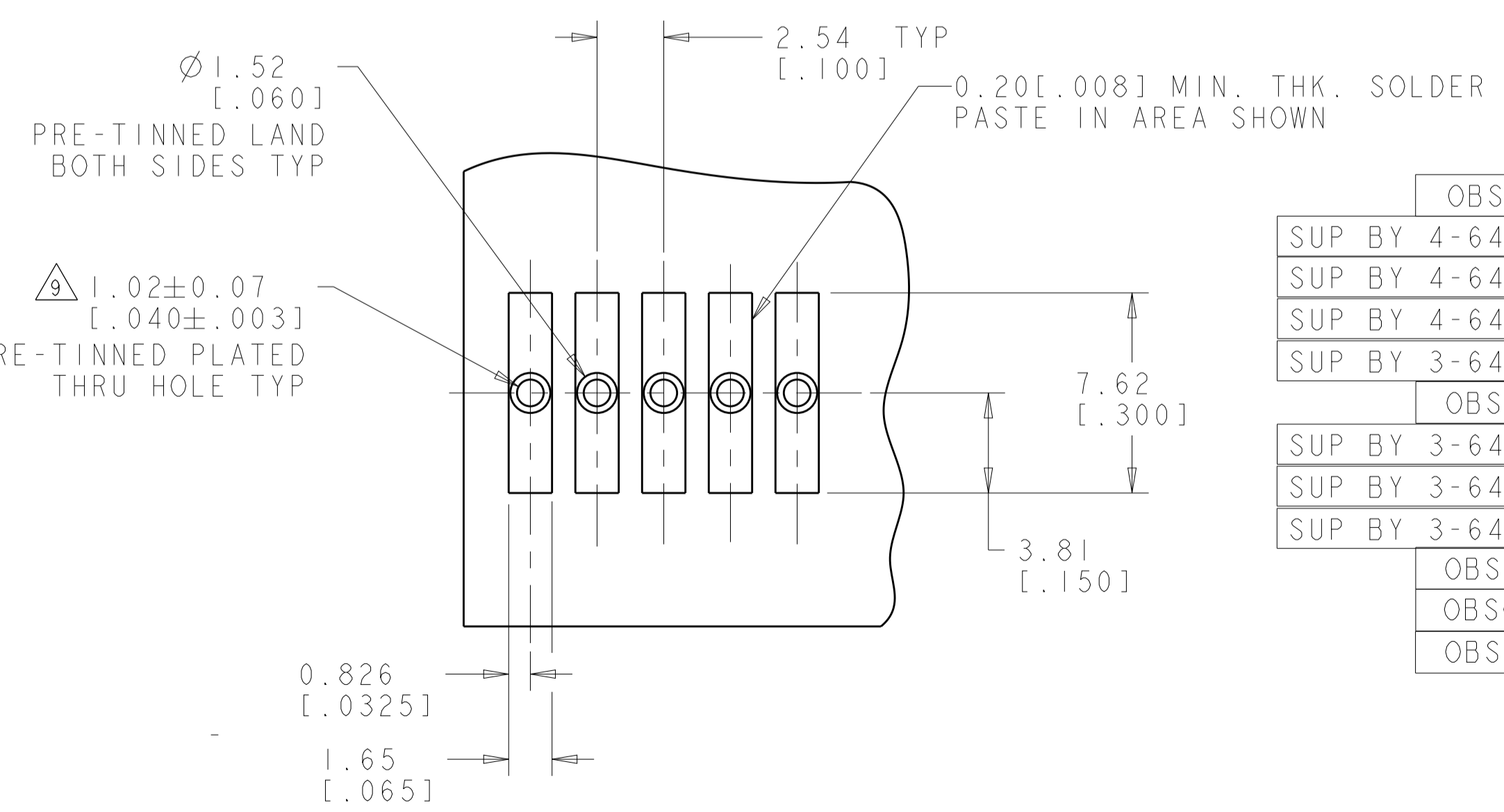
| LOC | | DIST | | REVISIONS | | | |
|-----|----|------|-----|---------------------------|-----------|-----|------|
| CM | 00 | P | LTN | DESCRIPTION | DATE | DWN | APVD |
| | | T2 | | REVISED PER ECR-18-004355 | 18JUN2018 | BDA | SG |
| | | U | | REVISED PER ECR-19-015071 | 18OCT2019 | BDA | SW |



- 1. POST WITHSTAND 13 NEWTONS (3 LBS) MIN AXIAL FORCE IN DIRECTION SHOWN WITHOUT DISLODGING.
- 2. MEASURED AT -A-.
- 3. PARTS COMPLY WITH SOLDERABILITY SPEC 109-11-2/12.
- 4. MATERIAL: HOUSING: NYLON, 4/6, HIGH TEMP, BLACK.
POST -2 THRU -12 COPPER ALLOY BRIGHT TIN-LEAD 0.00305 [0.000120] MIN THICK.
POST -32 THRU -42 COPPER ALLOY MATTE TIN 0.00305 [0.000120] MIN THICK.
- 5. COORDINATE DIMENSION APPLIES FROM CENTER OF ACTUAL FEATURE.
- 6. POSTS TO BE MEASURED WHEN STRIP HELD FLAT.
- 7. DIMENSIONS IN BRACKETS ARE IN INCHES.
- 8. TOLERANCES APPLY TO SOLDER SIDE OF BOARD.
- 9. ONE HOLE MAY BE UNDERSIZED 0.81-0.89 [0.032-.035] DIAMETER FOR ASSEMBLY RETENTION DURING PROCESSING.
- 10. TE LOGO, UL, AND CSA TRADEMARKS TO APPEAR ON THIS SURFACE.



| |
|------------------------------------|
| 0.64±0.02 [0.025±0.001] SQUARE TYP |
| 0.25 [0.010] A |
| 0.2 [0.008] M |
| 0.05 [0.002] |



RECOMMENDED MOUNTING HOLE PATTERN FOR 1.57±0.20 [0.062±0.008] THICK P.C. BOARD

| | W | G | L | NO OF POSN | PART NO |
|-------------------|---------------|---------------|---------------|------------|------------|
| | 7.62 [0.300] | 12.70 [0.500] | 30.48 [1.200] | 12 | 4-647050-2 |
| | - | 10.16 [0.400] | 27.94 [1.100] | 11 | 4-647050-1 |
| | - | 7.62 [0.300] | 25.40 [1.000] | 10 | 4-647050-0 |
| | - | 5.08 [0.200] | 22.86 [0.900] | 9 | 3-647050-9 |
| | - | 2.54 [0.100] | 20.32 [0.800] | 8 | 3-647050-8 |
| | - | - | 17.78 [0.700] | 7 | 3-647050-7 |
| | - | - | 15.24 [0.600] | 6 | 3-647050-6 |
| | - | - | 12.70 [0.500] | 5 | 3-647050-5 |
| | - | - | 10.16 [0.400] | 4 | 3-647050-4 |
| | - | - | 7.62 [0.300] | 3 | 3-647050-3 |
| | - | - | 5.08 [0.200] | 2 | 3-647050-2 |
| OBSOLETE | 12.70 [0.500] | 17.78 [0.700] | 35.56 [1.400] | 14 | 1-647050-4 |
| SUP BY 4-647050-2 | 7.62 [0.300] | 12.70 [0.500] | 30.48 [1.200] | 12 | 1-647050-2 |
| SUP BY 4-647050-1 | - | 10.16 [0.400] | 27.94 [1.100] | 11 | 1-647050-1 |
| SUP BY 4-647050-0 | - | 7.62 [0.300] | 25.40 [1.000] | 10 | 1-647050-0 |
| SUP BY 3-647050-9 | - | 5.08 [0.200] | 22.86 [0.900] | 9 | 647050-9 |
| OBSOLETE | - | 2.54 [0.100] | 20.32 [0.800] | 8 | 647050-8 |
| SUP BY 3-647050-7 | - | - | 17.78 [0.700] | 7 | 647050-7 |
| SUP BY 3-647050-6 | - | - | 15.24 [0.600] | 6 | 647050-6 |
| SUP BY 3-647050-5 | - | - | 12.70 [0.500] | 5 | 647050-5 |
| OBSOLETE | - | - | 10.16 [0.400] | 4 | 647050-4 |
| OBSOLETE | - | - | 7.62 [0.300] | 3 | 647050-3 |
| OBSOLETE | - | - | 5.08 [0.200] | 2 | 647050-2 |

THIS DRAWING IS A CONTROLLED DOCUMENT.

OWN: R. WHITAKER 01NOV2001
CHK: D. BOSSI 01NOV2001
APVD: D. BOSSI 01NOV2001

DIMENSIONS: mm [INCHES]

TOLERANCES UNLESS OTHERWISE SPECIFIED:
0 PLC ±
1 PLC ±0.381 [0.015]
2 PLC ±
3 PLC ±
4 PLC ±
ANGLES ±40°30'

MATERIAL: 4

FINISH: 4

TE Connectivity
MTA-100 HEADER ASSY, HIGH TEMPERATURE FRICTION LOCK, .025 SQUARE, STRAIGHT POST, TIN OR TIN LEAD

SIZE: A1
CAGE CODE: 647050
DRAWING NO: 647050

SCALE: 7:1

X-ON Electronics

Largest Supplier of Electrical and Electronic Components

Click to view similar products for te connectivity manufacturer:

Other Similar products are found below :

[570416-000](#) [CLTEQ-M81CE-SSRELAY-4-20V](#) [D38999/24FJ4AN](#) [358838-000](#) [4-1195131-0](#) [650069-000](#) [SMD100-2](#) [CB-1022B-78](#)
[RM707012](#) [RP410012](#) [MMS42](#) [1-640426-8](#) [2EDL4CM](#) [DTS20W19-11PD-3028-LC](#) [RM202615](#) [NC6-P104-06](#) [MSPS103B](#) [DTS26F21-41AE](#) [DTS26F21-41PE-LC](#) [DTS26F21-11SE-3028-LC](#) [1932144-1](#) [293545-4](#) [LVR125S](#) [MS27466T25F4PB](#) [CKB-38-78010](#)
[1206SFF150F/63-2](#) [D38999/20JB35HA](#) [D38999/24WJ20PA](#) [1754138-1](#) [TE1500A2R2J](#) [DTS24F25-29PC-3028-LC](#) [D38999/24WG11HA](#)
[D38999/24WG11HN](#) [MS27467T21F11H](#) [DJT16E21-11HA](#) [1206SFH150F/24-2](#) [DTS24F19-11SC-3028-LC](#) [DTS24F21-41HN-LC](#)
[DTS24F21-41AN](#) [DTS24F21-41PN-LC](#) [MS27467T21F35J](#) [MS27467T21F11J](#) [MS27467T21F16H-LC](#) [MS27467T21F35H](#)
[MS27467T21F41H-LC](#) [DJT16E21-11PA-LC](#) [DJT16E21-11HA-LC](#) [DJT16E21-11AA](#) [MS27467T21B11JA](#) [DJT16E21-11JA](#)