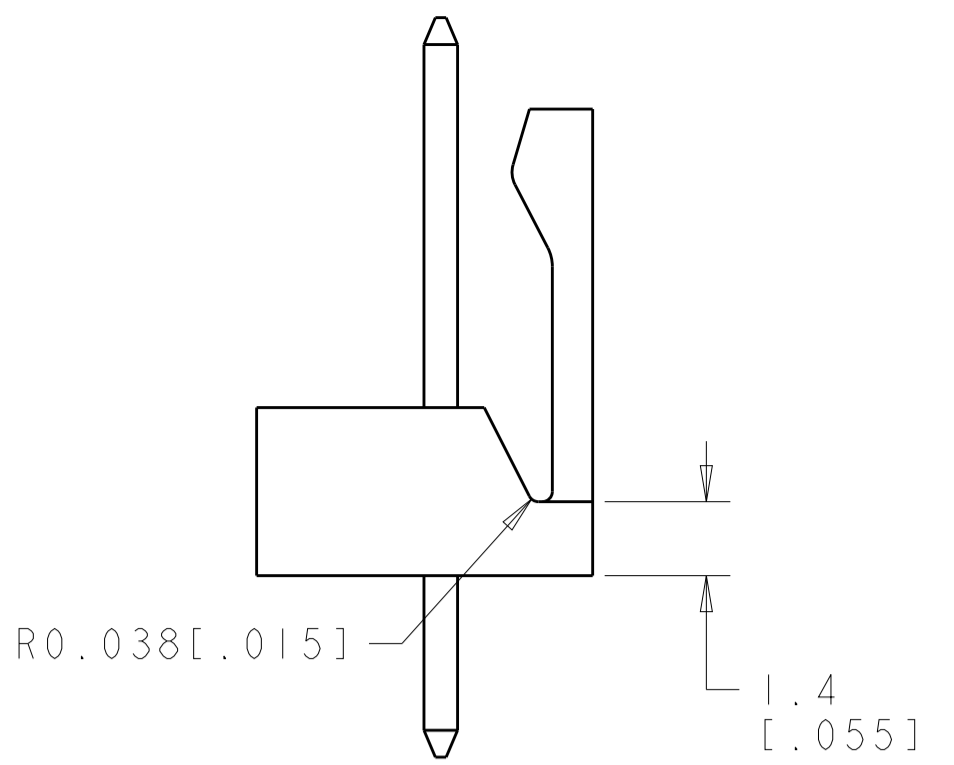
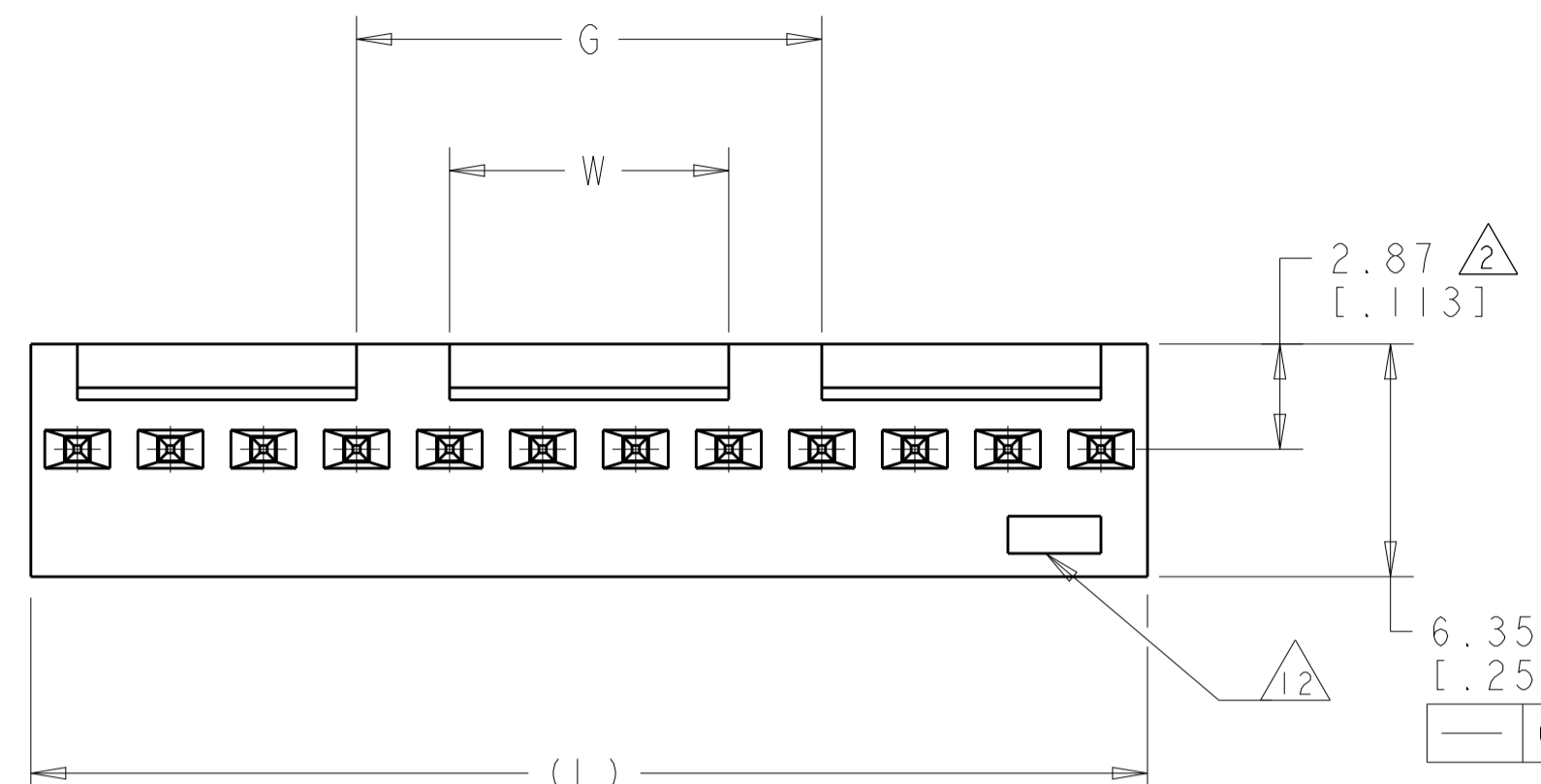
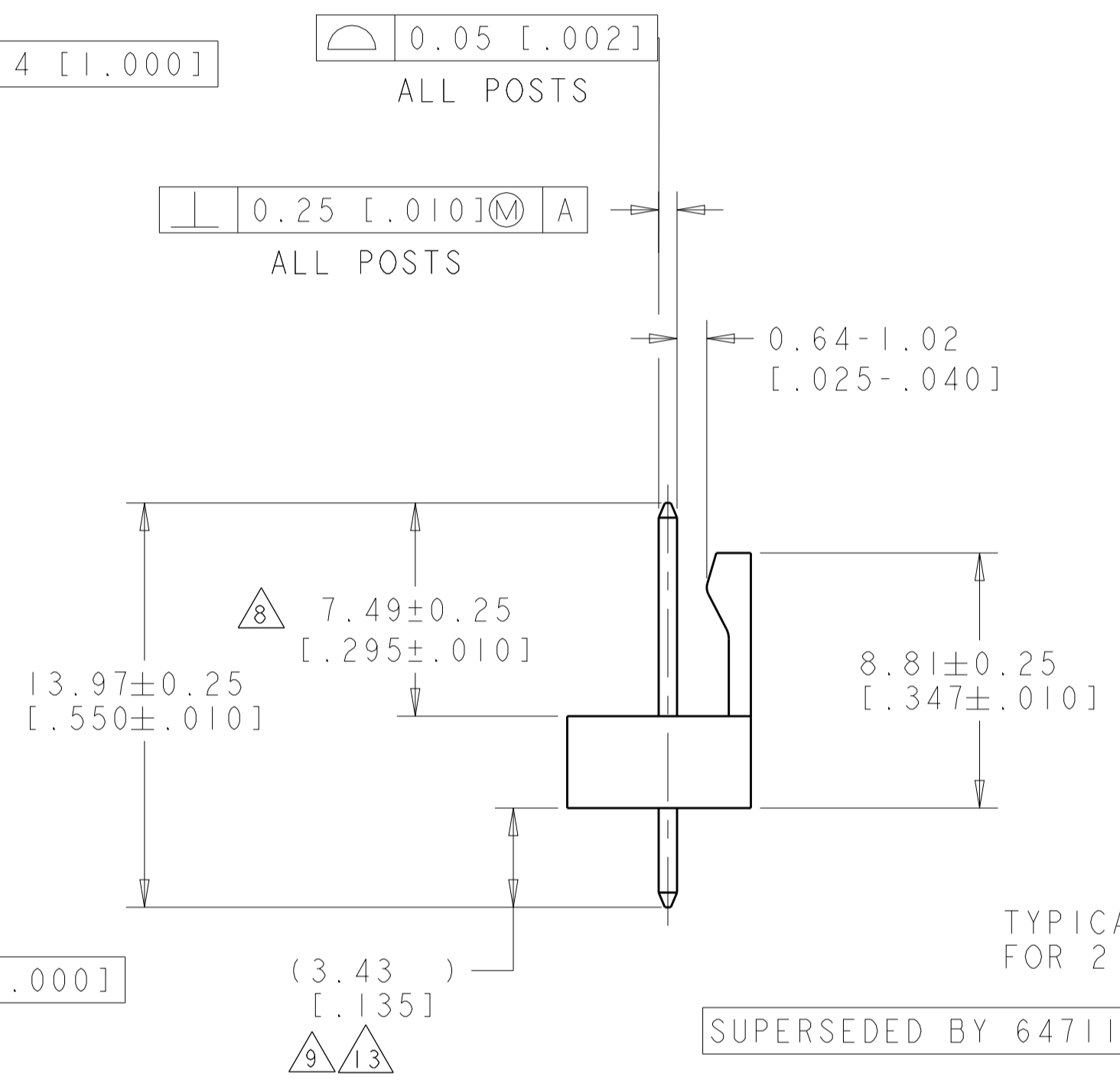
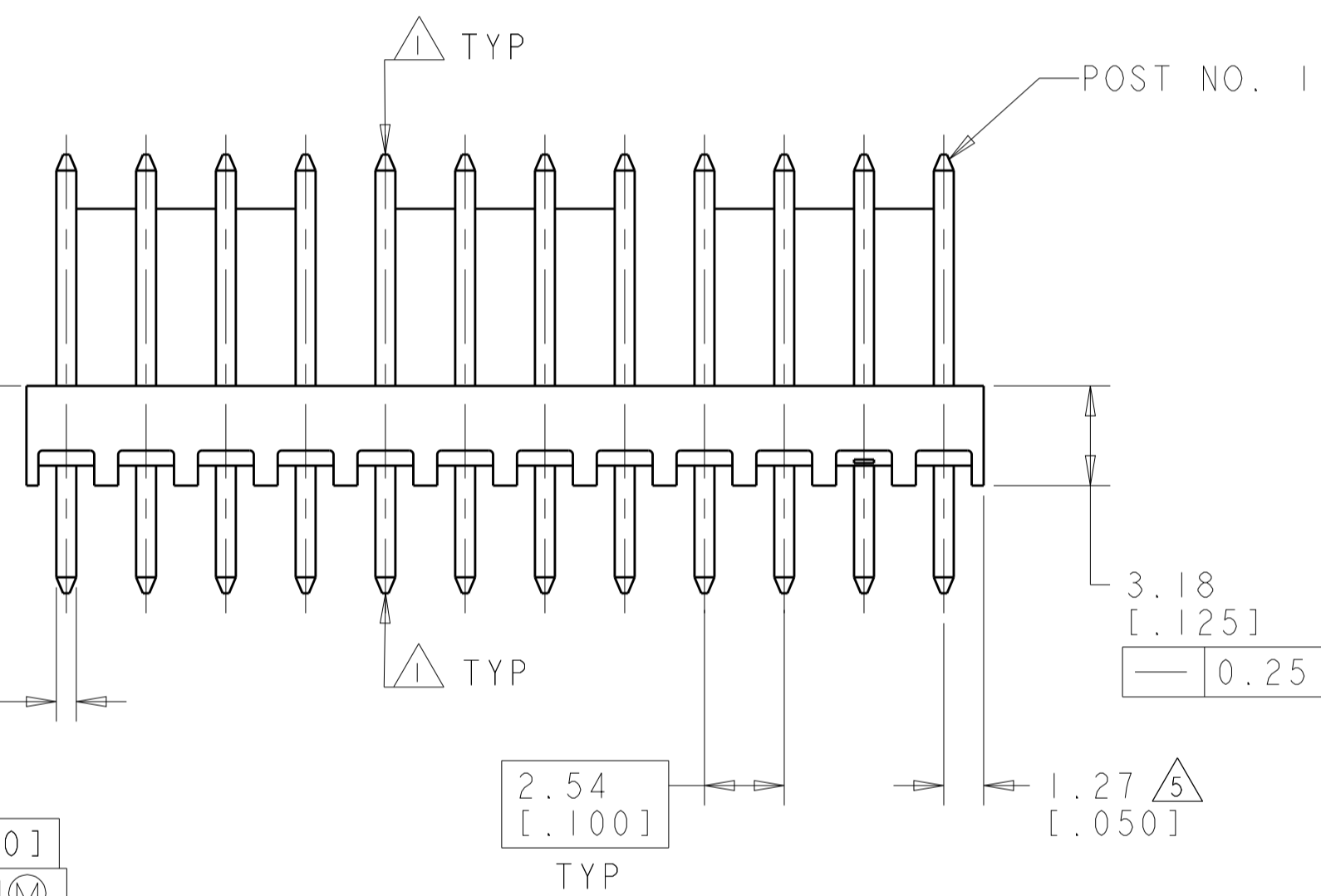


LOC		DIST		REVISIONS			
P	LTN	DESCRIPTION	DATE	OWN	APVD		
R3		REVISED PER ECR-18-004355	30JUL2018	BDA	SG		
S		REVISED PER ECR-19-015071	16OCT2019	BDA	SW		

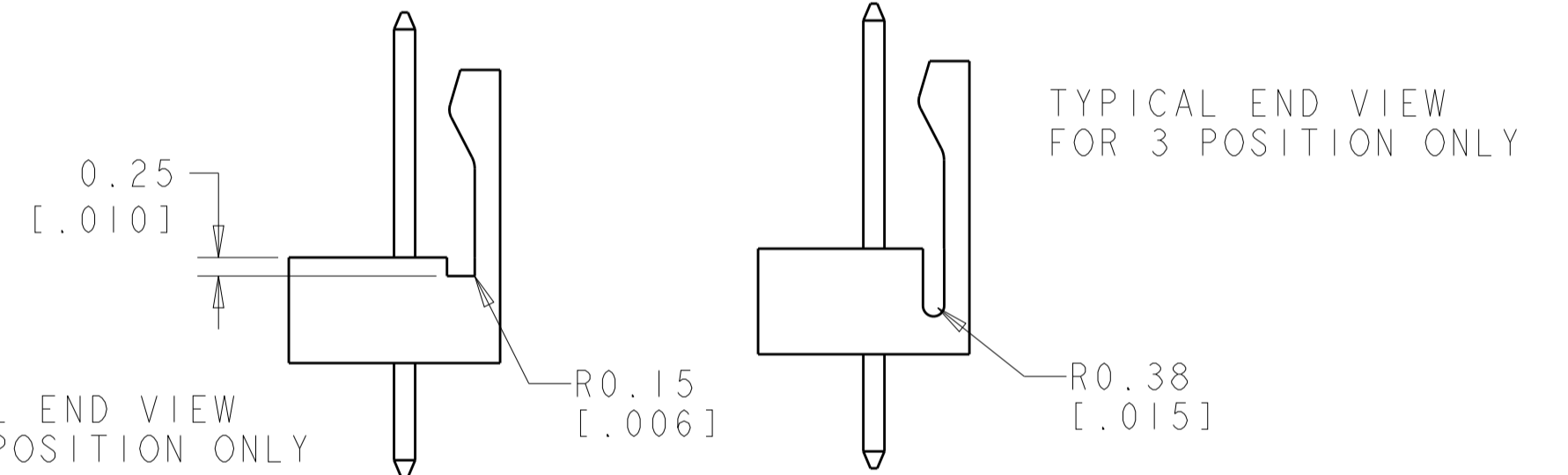


TYPICAL END VIEW FOR 4 THROUGH 7 POSITION

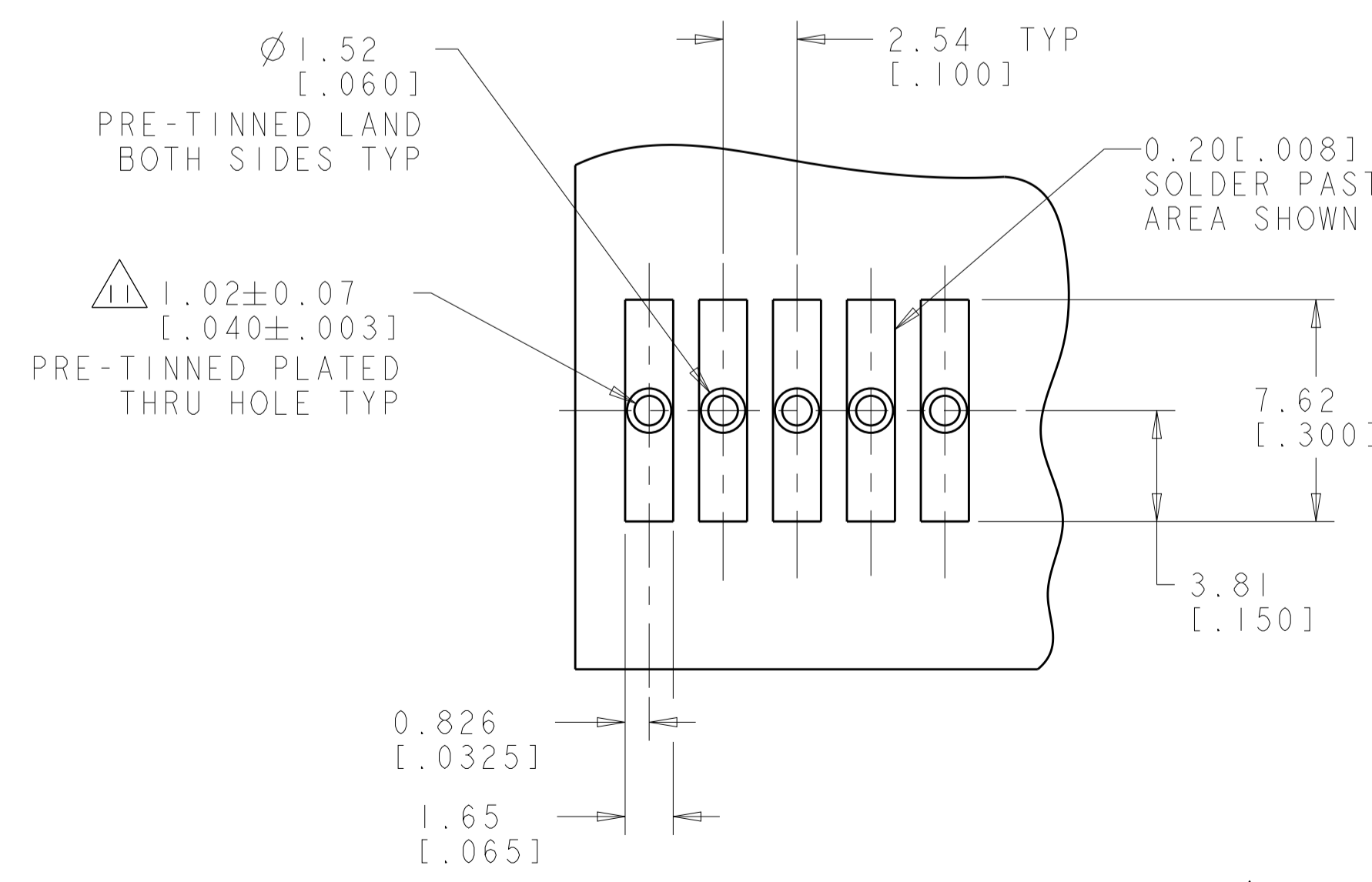
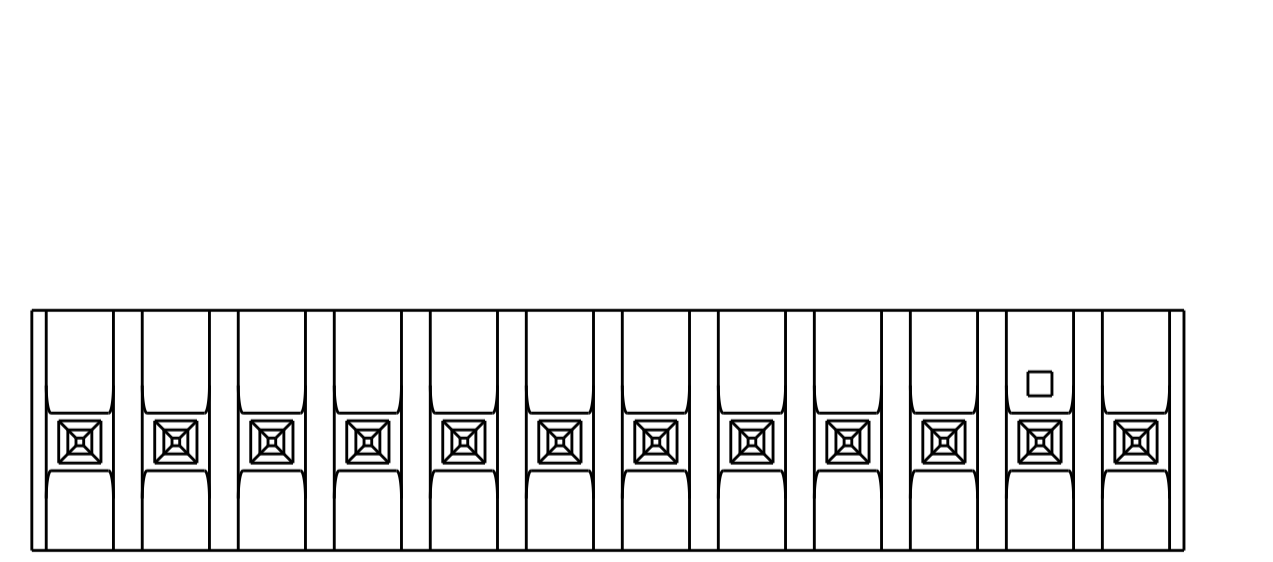
- 1. POST WITHSTAND 13 NEWTONS (3 LBS) MIN AXIAL FORCE IN DIRECTION SHOWN WITHOUT DISLODGING.
- 2. MEASURED AT [-A-].
- 3. PARTS COMPLY WITH SOLDERABILITY SPEC 109-11-2.
- 4. MATERIAL:  
HOUSING: UL94V-0 NYLON, 4/T, HIGH TEMP, BLACK.  
POST - COPPER ALLOY (SEE TABLE FOR PLATING).
- 5. COORDINATE DIMENSION APPLIES FROM CENTER OF ACTUAL FEATURE.
- 6. POSTS TO BE MEASURED WHEN STRIP HELD FLAT.
- 7. DIMENSIONS IN BRACKETS ARE IN INCHES.
- 8. PLATING: GOLD PLATE AREA, 0.00076 [0.00030] GOLD OR 0.00008 [0.00003] MIN GOLD FLASH OVER 0.00068 [0.00027] PALLADIUM NICKEL, PER TE CONNECTIVITY'S DISCRETION, ALL SIDES, OVER NICKEL UNDERPLATE, 0.00127 [0.00050] MIN, ALL SIDES AND ENTIRE LENGTH OF POST.
- 9. BRIGHT TIN/LEAD (93/7) PLATE AREA, 0.00381-0.00889 [0.000150-.000350] THICK, ALL FOUR SIDES, 3.56[.140] MIN.
- 10. TOLERANCES APPLY TO SOLDER SIDE OF BOARD.
- 11. ONE HOLE MAY BE UNDERSIZED 0.81-0.90 [.032-.035] DIAMETER FOR ASSEMBLY RETENTION DURING PROCESSING.
- 12. TE LOGO, UL, AND CSA TRADEMARKS TO APPEAR ON THIS SURFACE.
- 13. MATTE TIN PLATE AREA, 0.00381-0.00889 [0.000150-.000350] THICK, ALL FOUR SIDES, 3.56[.140] MIN.
- 14. OBSOLETE PARTS: OBSOLETE CIS STREAMLINING PER D.RENAUD/D.SINISI



TYPICAL END VIEW FOR 2 POSITION ONLY



TYPICAL END VIEW FOR 3 POSITION ONLY



RECOMMENDED MOUNTING HOLE PATTERN FOR 1.57±0.20 [0.062±.008] THICK P.C. BOARD

SUPERSEDED BY 647116-MXCU

POST FINISH	W	G	L	NO OF POSN	PART NO	
8, 9	12.70 [0.500]	25.40 [1.000]	43.18 [1.700]	17	4-647116-7	
	7.62 [0.300]	12.70 [0.500]	30.48 [1.200]	12	4-647116-2	
	-	10.16 [0.400]	27.94 [1.100]	11	4-647116-1	
	-	7.62 [0.300]	25.40 [1.000]	10	4-647116-0	
	-	5.08 [0.200]	22.86 [0.900]	9	3-647116-9	
	-	2.54 [0.100]	20.32 [0.800]	8	3-647116-8	
	-	-	17.78 [0.700]	7	3-647116-7	
	-	-	15.24 [0.600]	6	3-647116-6	
	-	-	12.70 [0.500]	5	3-647116-5	
	-	-	10.16 [0.400]	4	3-647116-4	
	-	-	7.62 [0.300]	3	3-647116-3	
	-	-	5.08 [0.200]	2	3-647116-2	
	8, 9	7.62 [0.300]	12.70 [0.500]	30.48 [1.200]	12	1-647116-2
		-	10.16 [0.400]	27.94 [1.100]	11	1-647116-1
		-	7.62 [0.300]	25.40 [1.000]	10	1-647116-0
		-	5.08 [0.200]	22.86 [0.900]	9	647116-9
		-	2.54 [0.100]	20.32 [0.800]	8	647116-8
-		-	17.78 [0.700]	7	647116-7	
-		-	15.24 [0.600]	6	647116-6	
8, 9	-	-	12.70 [0.500]	5	647116-5	
	-	-	10.16 [0.400]	4	647116-4	
	-	-	7.62 [0.300]	3	647116-3	
	-	-	5.08 [0.200]	2	647116-2	
	-	-	-	-	-	

- 1. SUP 4-647116-1
- 2. SUP 4-647116-0
- 3. OBSOLETE
- 4. SUP 3-647116-8
- 5. SUP 3-647116-7
- 6. SUP 3-647116-5
- 7. SUP 3-647116-4
- 8. SUP 3-647116-3

THIS DRAWING IS A CONTROLLED DOCUMENT. CHK: R. WHITAKER, D. BOSSI, APVD: D. BOSSI, DATE: 01NOV2001

DIMENSIONS: mm [INCHES]

TOLERANCES UNLESS OTHERWISE SPECIFIED:

0 PLC	±
1 PLC	±0.381 [0.015]
2 PLC	±
3 PLC	±
4 PLC	±
ANGLES	±40°30'

MATERIAL: 4

FINISH: 4

WEIGHT: -

CUSTOMER DRAWING

SCALE: 7:1

SHEET: 1 OF 1

REV: S

TE Connectivity

MTA-100 HEADER ASSY, HIGH TEMPERATURE FRICTION LOCK, .025 SQUARE, STRAIGHT POST, .000030 GOLD

SIZE: A1

CAGE CODE: 647116

DRAWING NO: 100779

## X-ON Electronics

Largest Supplier of Electrical and Electronic Components

*Click to view similar products for te connectivity manufacturer:*

Other Similar products are found below :

[570416-000](#) [CLTEQ-M81CE-SSRELAY-4-20V](#) [D38999/24FJ4AN](#) [358838-000](#) [4-1195131-0](#) [650069-000](#) [SMD100-2](#) [CB-1022B-78](#)  
[RM707012](#) [RP410012](#) [MMS42](#) [1-640426-8](#) [2EDL4CM](#) [DTS20W19-11PD-3028-LC](#) [RM202615](#) [NC6-P104-06](#) [MSPS103B](#) [DTS26F21-41AE](#) [DTS26F21-41PE-LC](#) [DTS26F21-11SE-3028-LC](#) [1932144-1](#) [293545-4](#) [LVR125S](#) [MS27466T25F4PB](#) [CKB-38-78010](#)  
[1206SFF150F/63-2](#) [D38999/20JB35HA](#) [D38999/24WJ20PA](#) [1754138-1](#) [TE1500A2R2J](#) [DTS24F25-29PC-3028-LC](#) [D38999/24WG11HA](#)  
[D38999/24WG11HN](#) [MS27467T21F11H](#) [DJT16E21-11HA](#) [1206SFH150F/24-2](#) [DTS24F19-11SC-3028-LC](#) [DTS24F21-41HN-LC](#)  
[DTS24F21-41AN](#) [DTS24F21-41PN-LC](#) [RP330024](#) [MS27467T21F35J](#) [MS27467T21F11J](#) [MS27467T21F16H-LC](#) [MS27467T21F35H](#)  
[MS27467T21F41H-LC](#) [DJT16E21-11PA-LC](#) [DJT16E21-11HA-LC](#) [DJT16E21-11AA](#) [MS27467T21B11JA](#)