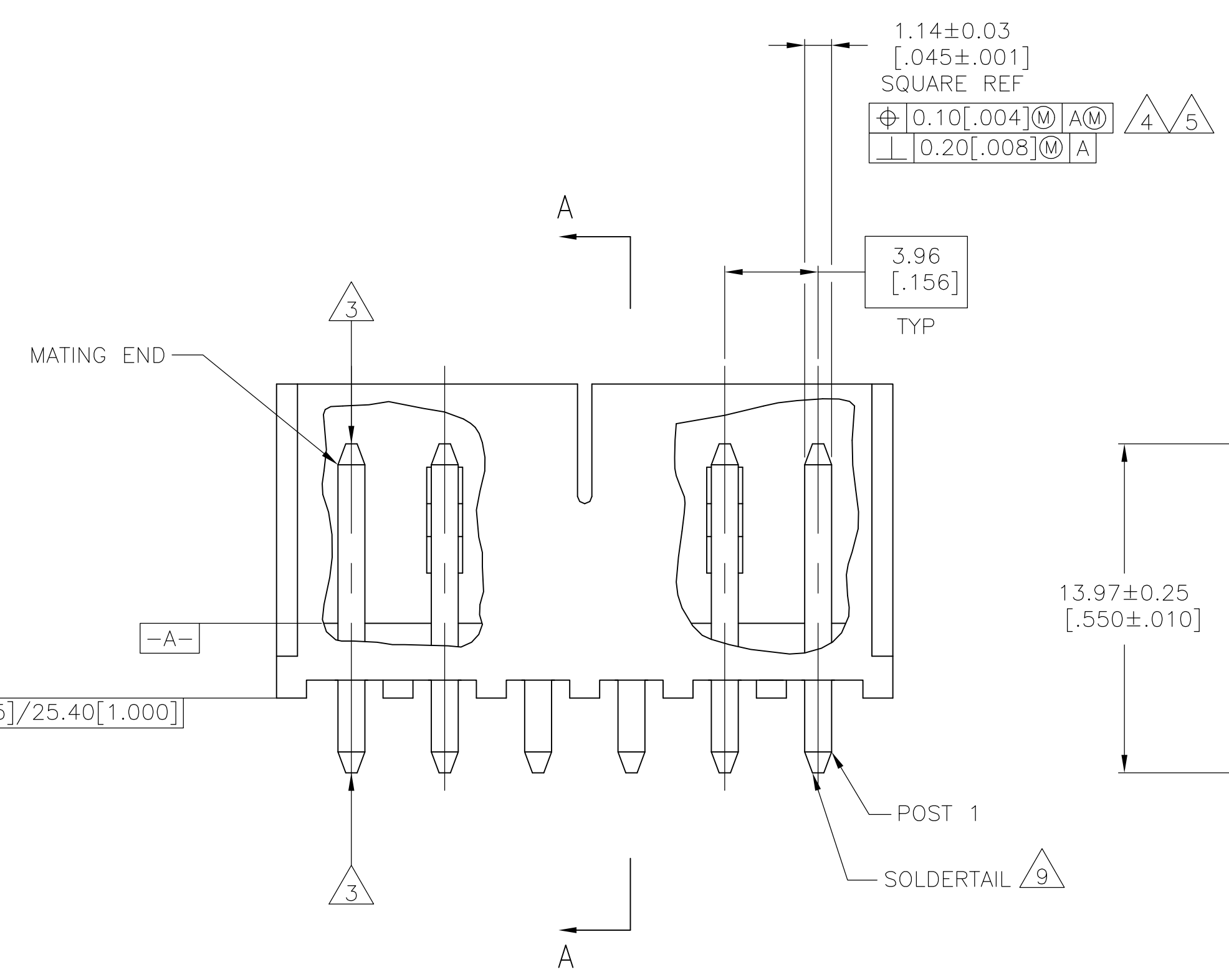
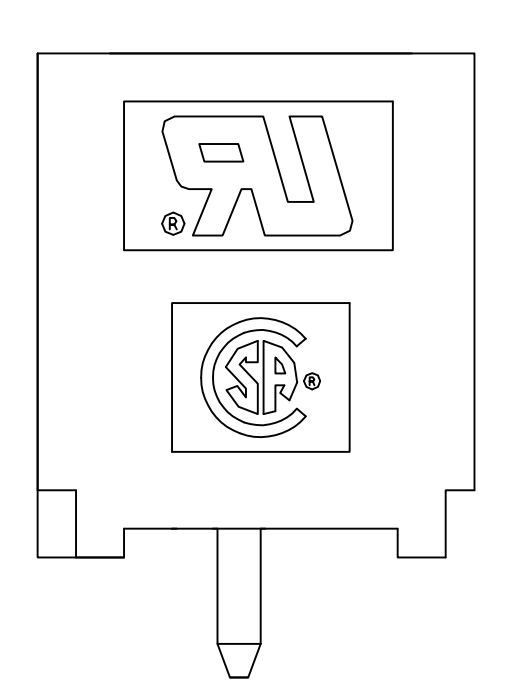


2.29±0.08
[.090±.003]
TYP

0.89
[.035]
REF

0.13[.005]/25.40[1.000]



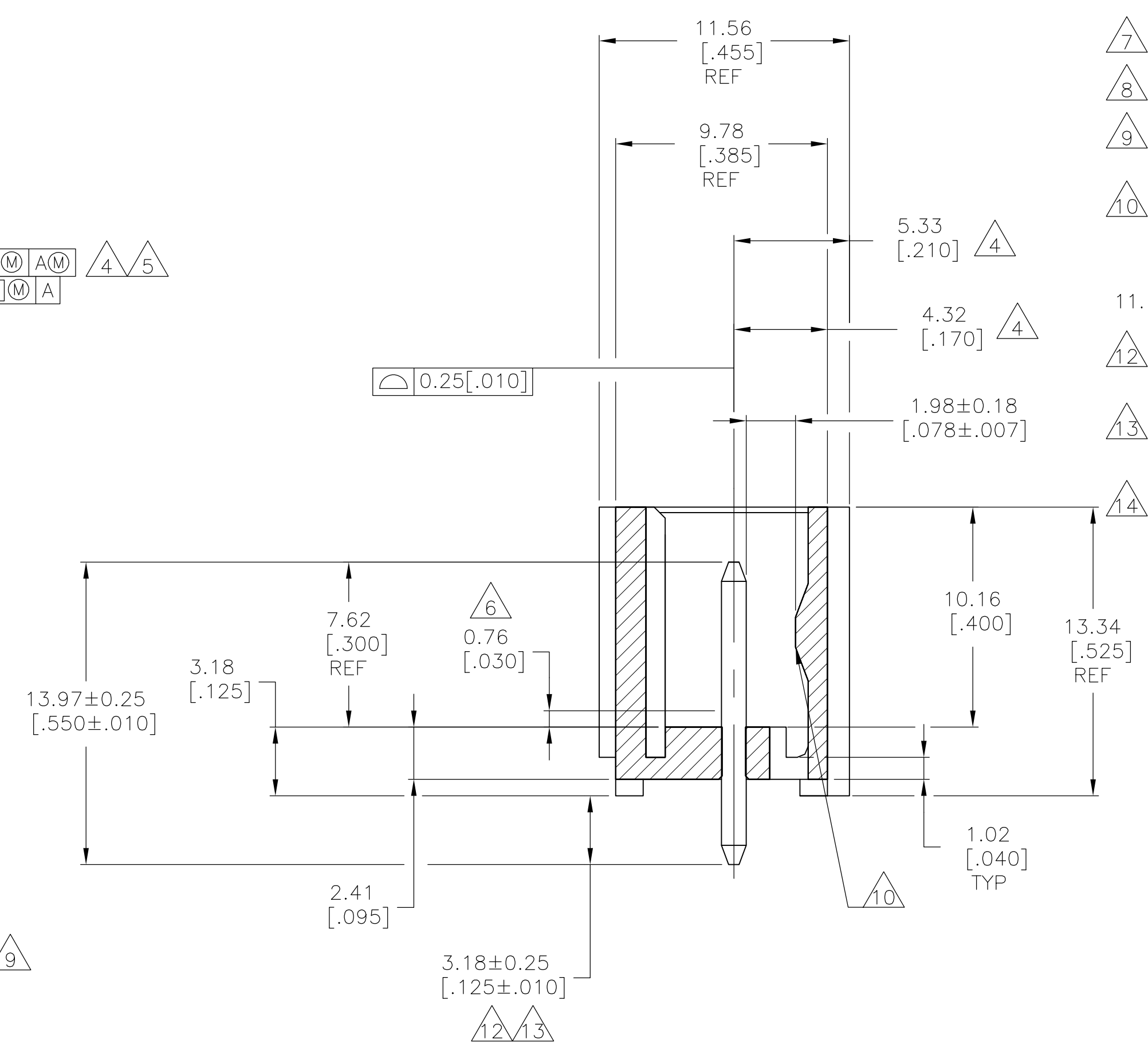
1.14±0.03
[.045±.001]
SQUARE REF

3.96
[.156]
TYP

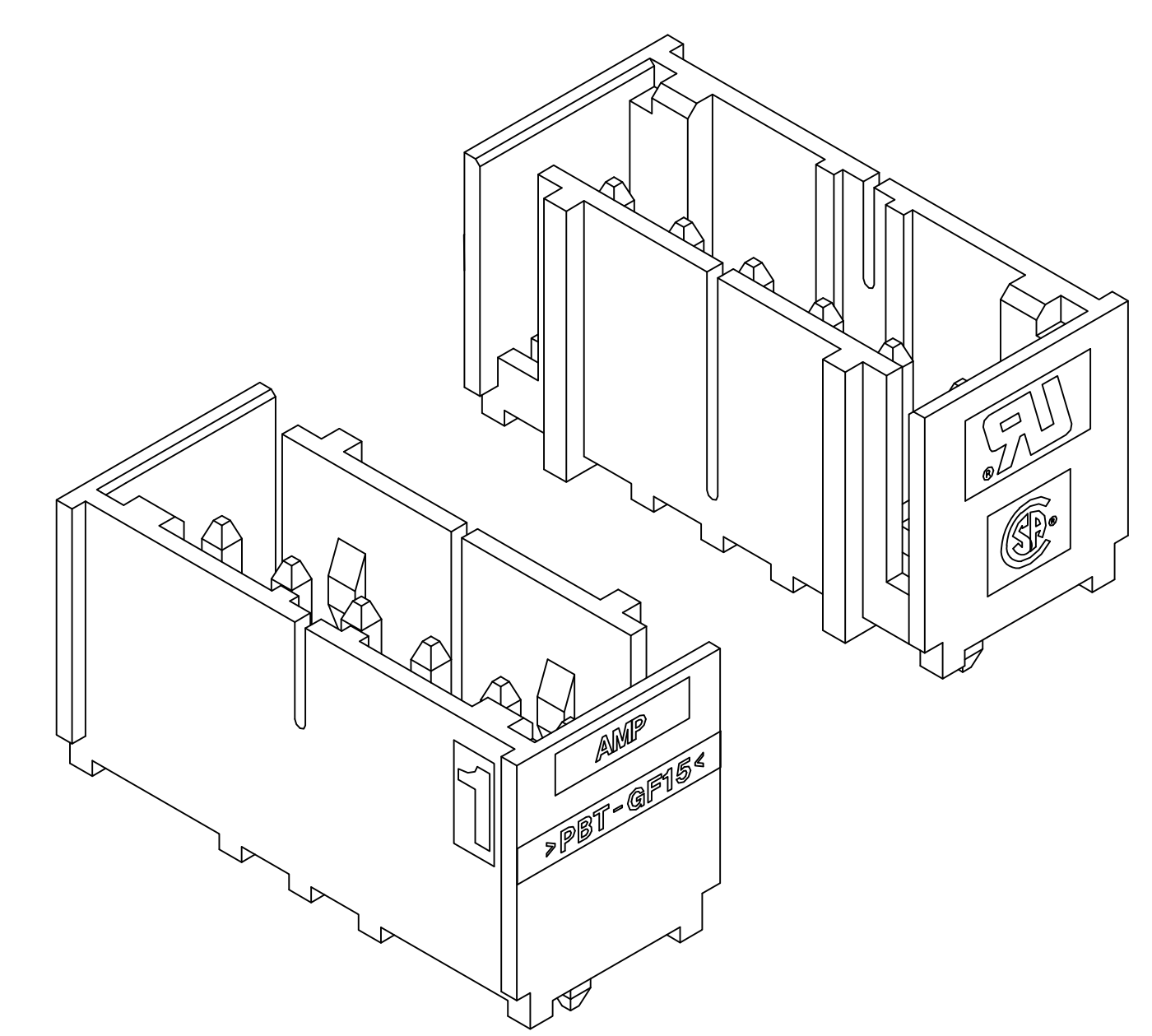
MATING END

POST 1

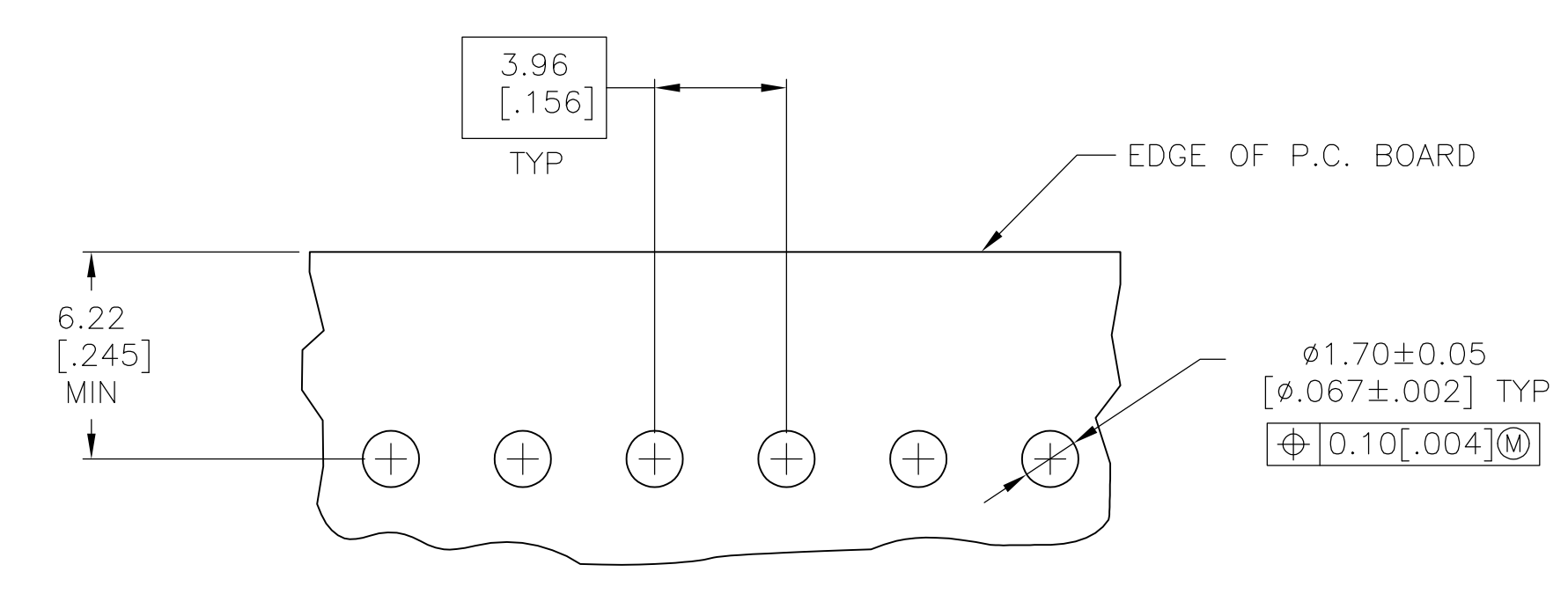
SOLDERTAIL



SECTION A-A



3-DIMENSIONAL MODEL
NTS



RECOMMENDED MOUNTING HOLE PATTERN
FOR 1.57[.062] THICK P.C. BOARD

- MATERIAL:
HOUSING - THERMOPLASTIC POLYESTER, GLASS FILLED, UL94-0.
POST - COPPER ALLOY
- FINISH:
HOUSING - BLACK
POST - SEE NOTES 12 AND 13.
- POST TO WITHSTAND 3LBS (16N) MIN AXIAL FORCE IN THIS DIRECTION WITHOUT DISLODGING.
- APPLIES AT -A-.
- APPLIES WHEN HEADER IS STRAIGHT.
- PLASTIC PROJECTIONS PERMITTED IN THIS ZONE.
- COORDINATE DIMENSIONS APPLIES FROM CENTER OF ACTUAL FEATURE.
- SOLDER SIDE OF BOARD IS SHOWN.
- POST SOLDER TAIL MUST COMPLY WITH AMP SOLDERABILITY SPEC 109-11-2.
- LATCH DETENT FEATURE APPEARS 1 PLACE ON EACH END OF PART (MAX OF 2 PER PART) ON ALL POSITIONS 4 THRU 12. THE LATCH APPEARS ONLY ONE PLACE ON 2 & 3 POSITION PARTS.
- DIMENSIONS IN BRACKETS ARE IN INCHES.
- MATTE TIN PLATE 0.00381 - 0.00889 [.000150 - .000350] THICK, OVER NICKEL UNDERPLATE 0.00127 [.000050] MIN THICK.
- MATTE TIN PLATE 0.00381 - 0.00889 [.000150 - .000350] THICK, OVER NICKEL UNDERPLATE 0.00127 [.000050] MIN THICK.
- OBSOLETE PARTS: OBSOLETE CIS STREAMLINING PER D.RENAUD/D.SINISI

647123-6 SHOWN

13	49.94	1.966	12	3-647123-2	
	45.97	1.810	11	3-647123-1	
	42.01	1.654	10	3-647123-0	
	38.05	1.498	9	2-647123-9	
	34.09	1.342	8	2-647123-8	
	30.12	1.186	7	2-647123-7	
	26.16	1.030	6	2-647123-6	
	22.20	.874	5	2-647123-5	
	18.24	.718	4	2-647123-4	
	14.27	.562	3	2-647123-3	
	10.31	.406	2	2-647123-2	
	12	49.94	1.966	12	1-647123-2
		45.97	1.810	11	1-647123-1
		42.01	1.654	10	1-647123-0
		38.05	1.498	9	1-647123-9
34.09		1.342	8	1-647123-8	
30.12		1.186	7	1-647123-7	
26.16		1.030	6	1-647123-6	
22.20		.874	5	1-647123-5	
18.24	.718	4	1-647123-4		
14.27	.562	3	1-647123-3		
10.31	.406	2	1-647123-2		

OBSOLETE
SUPERSEDED
OBSOLETE
OBSOLETE
SUPERSEDED BY 2-647123-8
OBSOLETE
OBSOLETE
OBSOLETE
OBSOLETE
OBSOLETE
OBSOLETE

THIS DRAWING IS A CONTROLLED DOCUMENT.		DIN S CARPENTER 22JUL03		TE Connectivity	
DIMENSIONS: mm [INCHES]		TOLERANCES UNLESS OTHERWISE SPECIFIED:			
0 PLC ± - 1 PLC ± - 2 PLC ± - 3 PLC ± - 4 PLC ± - ANGLES ± -		0.010 ± .004 0.020 ± .008 0.045 ± .001 0.067 ± .002 0.100 ± .004		NAME: MTA-156 SHROUDED HEADER ASSEMBLY, STRAIGHT .045 SQUARE POST, TIN W/O RETENTION PEG APPLICATION SPEC: - SIZE: A1 CAGE CODE: 00779 DRAWING NO: 647123	
MATERIAL: -		FINISH: -		WEIGHT: - CUSTOMER DRAWING: - SCALE: 5:1 SHEET: 1 of 1 REV: G1	

X-ON Electronics

Largest Supplier of Electrical and Electronic Components

Click to view similar products for [TE Connectivity](#) manufacturer:

Other Similar products are found below :

[D38999/24FJ4AN](#) [570416-000](#) [CLTEQ-M81CE-SSRELAY-4-20V](#) [4-1195131-0](#) [650069-000](#) [SMD100-2](#) [358838-000](#) [CB-1022B-78](#)
[RM707012](#) [RP410012](#) [MMS42](#) [1-640426-8](#) [2EDL4CM](#) [DTS20W19-11PD-3028-LC](#) [RM202615](#) [NC6-P104-06](#) [MSPS103B](#) [DTS26F21-](#)
[41HE-LC](#) [DTS26F21-41AE](#) [DTS26F21-41PE-LC](#) [DTS26F21-11SE-3028-LC](#) [30DCB6](#) [1932144-1](#) [293545-4](#) [LVR125S](#) [MS27466T25F4PB](#)
[CKB-38-78010](#) [TR04AI-TINELLOCKRING](#) [1206SFF150F/63-2](#) [D38999/20JB35HA](#) [TE1500A2R2J](#) [D38999/20WC8BB](#) [DTS24F19-11SC-](#)
[3028-LC](#) [D38999/24WG11HA](#) [D38999/24WG11HN](#) [MS27467T21F11H](#) [DJT16E21-11HA](#) [MS27467T21F35J](#) [MS27467T21F11J](#)
[MS27467T21F16H-LC](#) [MS27467T21F35H](#) [MS27467T21F41H-LC](#) [1206SFH150F/24-2](#) [RP330024](#) [DJT16E21-11PA-LC](#) [DJT16E21-11HA-](#)
[LC](#) [DJT16E21-11AA](#) [MS27467T21B11JA](#) [DJT16E21-11JA](#) [MS27467T21B11JA-LC](#)