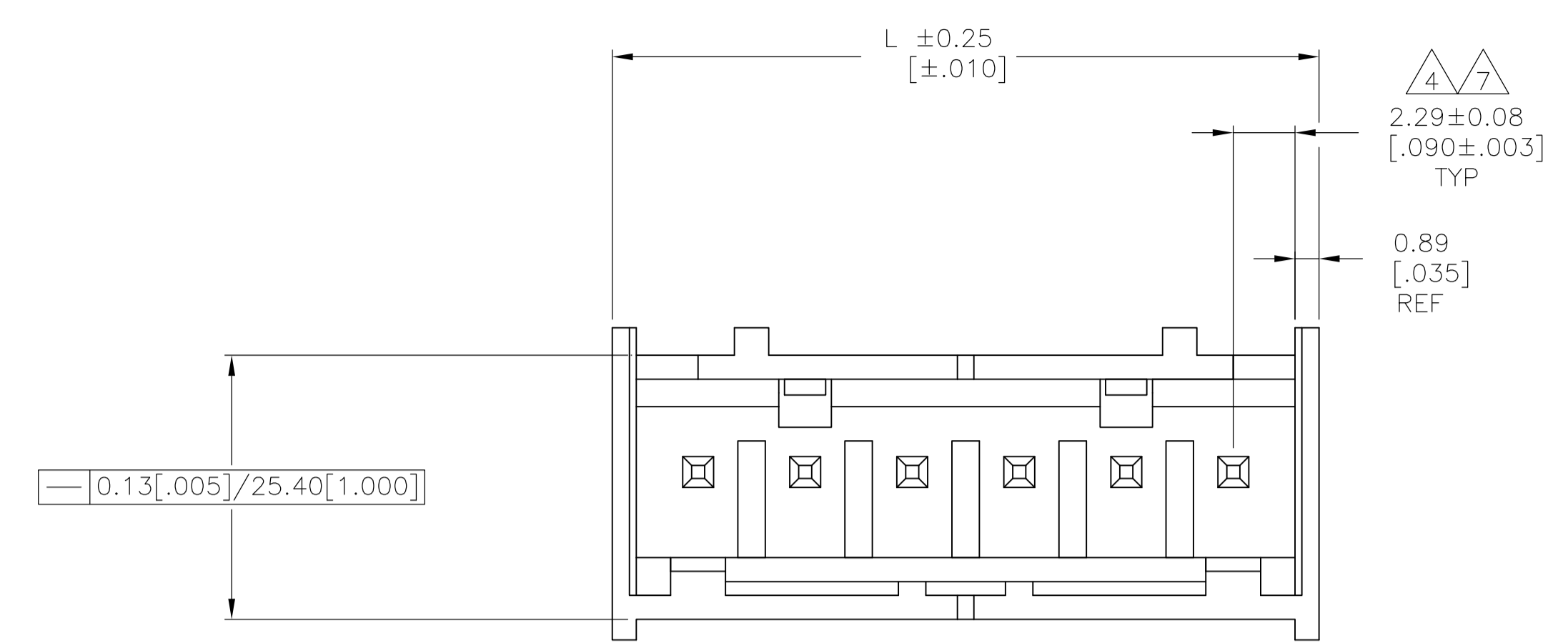


LOC		DIST		REVISIONS			
CM	0	REV	DATE	BY	CHK	APPV	
G1	REVISED PER ECR-15-007038		28SEP2015	NK		PQ	



2.29±0.08
[.090±.003]
TYP

0.89
[.035]
REF

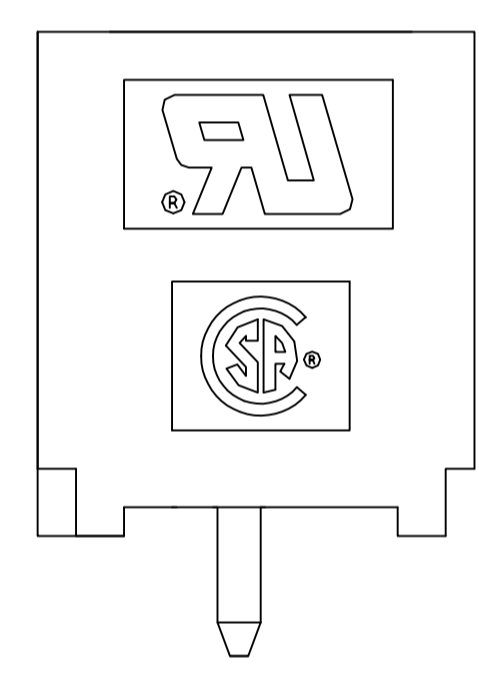
0.13[.005]/25.40[1.000]

1.14±0.03
[.045±.001]
SQUARE REF

⊕ 0.10[.004]Ⓜ AⓈ

⊥ 0.20[.008]Ⓜ A

3.96
[.156]
TYP

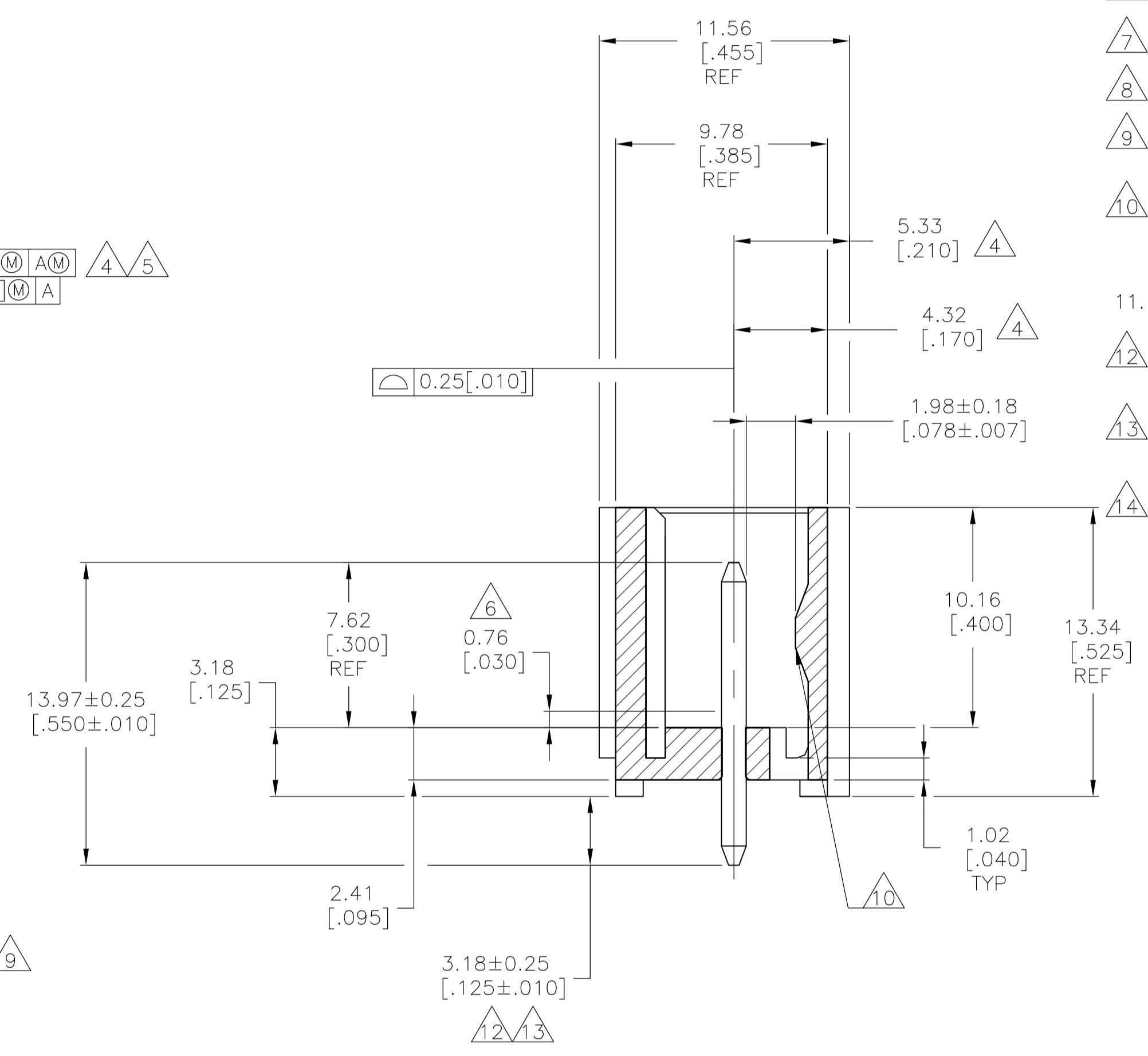


MATING END

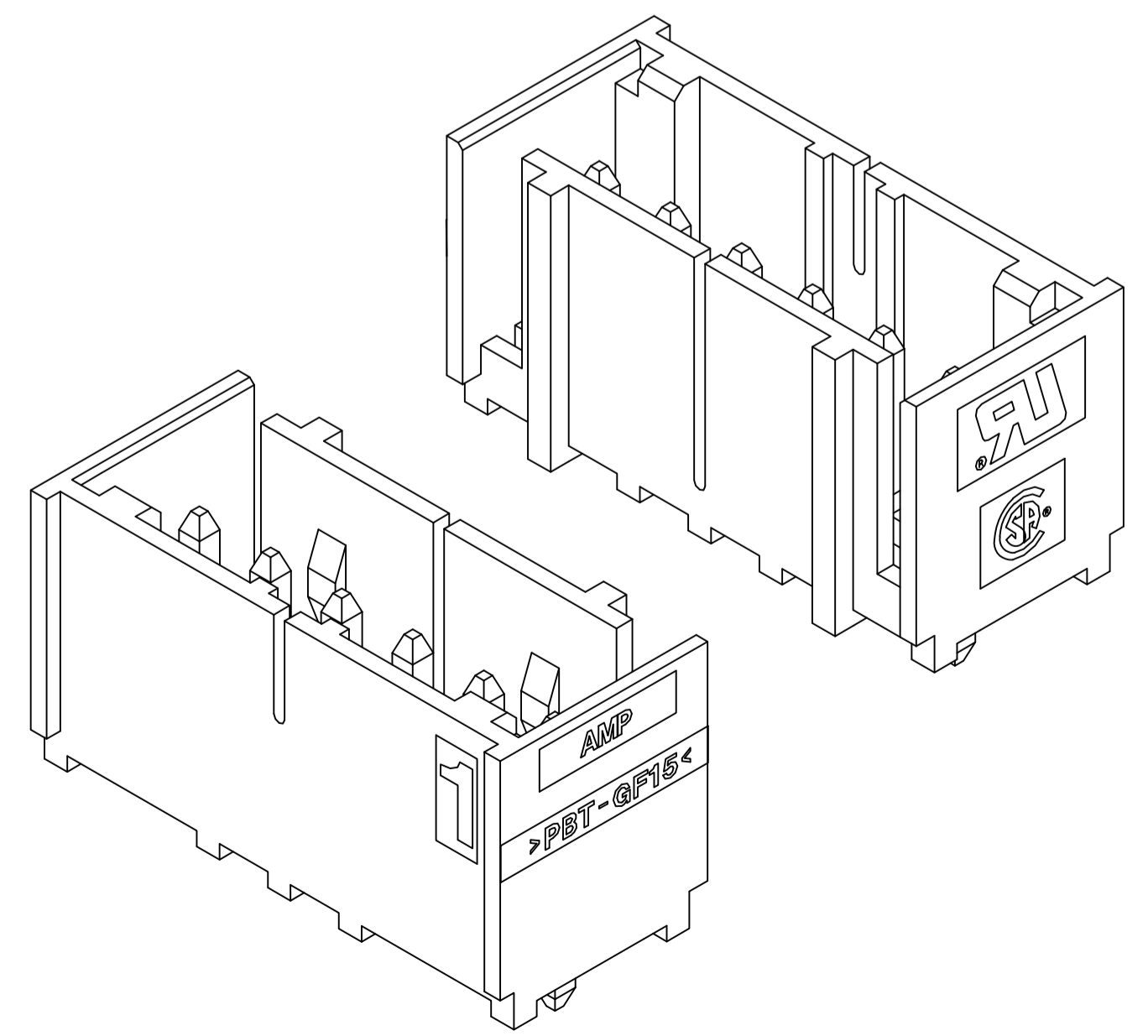
0.13[.005]/25.40[1.000]

POST 1

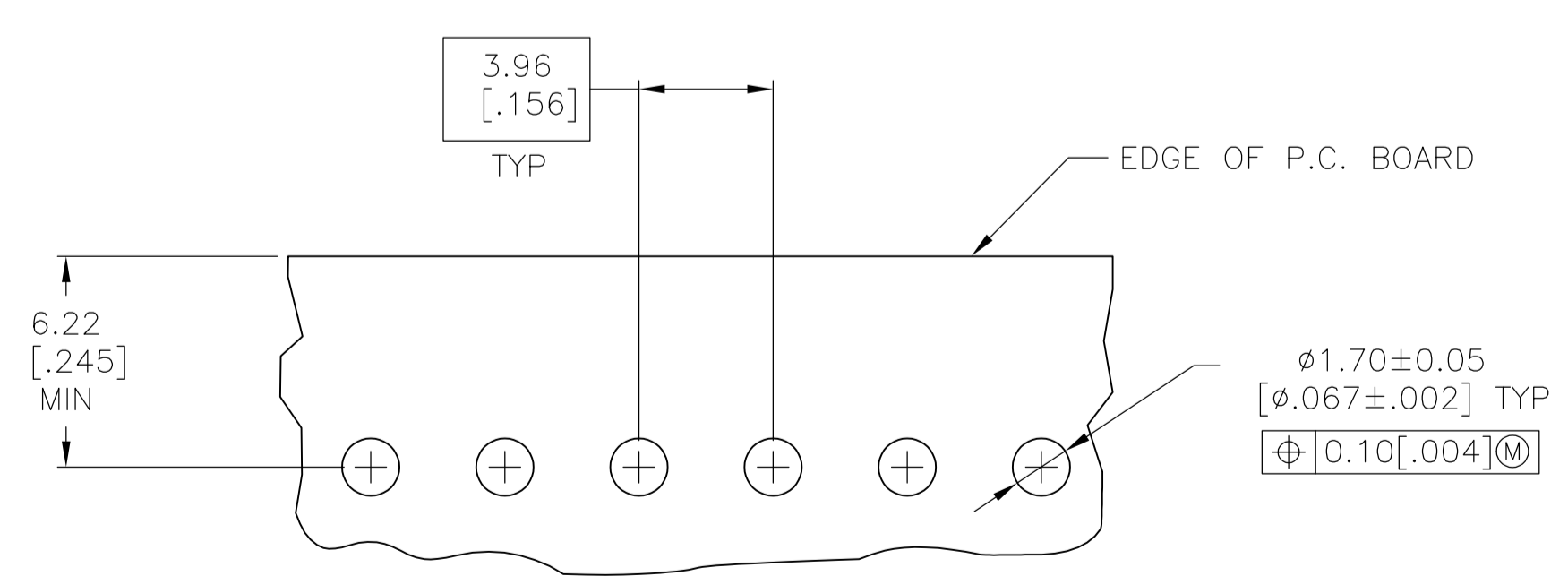
SOLDERTAIL



SECTION A-A



3-DIMENSIONAL MODEL NTS



RECOMMENDED MOUNTING HOLE PATTERN FOR 1.57[.062] THICK P.C. BOARD

- MATERIAL:
HOUSING - THERMOPLASTIC POLYESTER, GLASS FILLED, UL94-0.
POST - COPPER ALLOY
- FINISH:
HOUSING - BLACK
POST - SEE NOTES 12 AND 13.
- POST TO WITHSTAND 3LBS (16N) MIN AXIAL FORCE IN THIS DIRECTION WITHOUT DISLODGING.
- APPLIES AT -A-.
- APPLIES WHEN HEADER IS STRAIGHT.
- PLASTIC PROJECTIONS PERMITTED IN THIS ZONE.
- COORDINATE DIMENSIONS APPLIES FROM CENTER OF ACTUAL FEATURE.
- SOLDER SIDE OF BOARD IS SHOWN.
- POST SOLDER TAIL MUST COMPLY WITH AMP SOLDERABILITY SPEC 109-11-2.
- LATCH DETENT FEATURE APPEARS 1 PLACE ON EACH END OF PART (MAX OF 2 PER PART) ON ALL POSITIONS 4 THRU 12. THE LATCH APPEARS ONLY ONE PLACE ON 2 & 3 POSITION PARTS.
- DIMENSIONS IN BRACKETS ARE IN INCHES.
- MATTE TIN PLATE 0.00381 - 0.00889 [.000150 - .000350] THICK, OVER NICKEL UNDERPLATE 0.00127 [.000050] MIN THICK.
- MATTE TIN PLATE 0.00381 - 0.00889 [.000150 - .000350] THICK, OVER NICKEL UNDERPLATE 0.00127 [.000050] MIN THICK.
- OBSOLETE PARTS: OBSOLETE CIS STREAMLINING PER D.RENAUD/D.SINISI

REV	DATE	BY	CHK	APPV	PART NUMBER
49.94	1.966	12			3-647123-2
45.97	1.810	11			3-647123-1
42.01	1.654	10			3-647123-0
38.05	1.498	9			2-647123-9
34.09	1.342	8			2-647123-8
30.12	1.186	7			2-647123-7
26.16	1.030	6			2-647123-6
22.20	.874	5			2-647123-5
18.24	.718	4			2-647123-4
14.27	.562	3			2-647123-3
10.31	.406	2			2-647123-2
49.94	1.966	12			1-647123-2
45.97	1.810	11			1-647123-1
42.01	1.654	10			1-647123-0
38.05	1.498	9			1-647123-9
34.09	1.342	8			1-647123-8
30.12	1.186	7			1-647123-7
26.16	1.030	6			1-647123-6
22.20	.874	5			1-647123-5
18.24	.718	4			1-647123-4
14.27	.562	3			1-647123-3
10.31	.406	2			1-647123-2

647123-6 SHOWN

14 OBSOLETE SUPERSEDED

12 OBSOLETE SUPERSEDED BY 2-647123-8

THIS DRAWING IS A CONTROLLED DOCUMENT.

DIMENSIONS: mm [INCHES]	TOLERANCES UNLESS OTHERWISE SPECIFIED:	DIN S CARPENTER 22JUL03	NAME
0 PLC ± -	1 PLC ± -	CHK D BOSSI 22JUL03	MTA-156 SHROUDED HEADER ASSEMBLY, STRAIGHT .045 SQUARE POST, TIN W/O RETENTION PEG
2 PLC ± -	3 PLC ± -	APPV D BOSSI 22JUL03	PRODUCT SPEC
4 PLC ± -	ANGLES ± -	APPLICATION SPEC	SIZE
MATERIAL	FINISH	WEIGHT	CAGE CODE DRAWING NO
			A1 00779 C=647123
CUSTOMER DRAWING		SCALE 5:1	SHEET 1 of 1 REV G1

STE TE Connectivity

X-ON Electronics

Largest Supplier of Electrical and Electronic Components

Click to view similar products for [Headers & Wire Housings](#) category:

Click to view products by [TE Connectivity](#) manufacturer:

Other Similar products are found below :

[95000-104TRLF](#) [10135584-644402LF](#) [DF62W-EP2022PCA](#) [95000-106TRLF](#) [DF62W-2022SCA](#) [DF62W-EP2022PC](#) [2203348](#) [DF62W-2022SC](#) [1084018](#) [1029039](#) [1084017](#) [802-10-012-10-002000](#) [1112640](#) [1112639](#) [000-34000](#) [0009482033](#) [0009507031](#) [57102-S06-03LF](#) [57202-S52-04LF](#) [PCN6-15S-2.5E](#) [0039019024](#) [58102-G61-06LF](#) [582553-1](#) [0009508121](#) [0050291907](#) [018731A](#) [LY20-4P-DT1-P1E-BR](#) [02.125.8002.8](#) [60101931](#) [60598-1 \(Cut Strip\)](#) [M1625-3R/100](#) [61062-3](#) [61082-181009](#) [636-1427](#) [638009-1](#) [641938-9](#) [641991-4](#) [644168-1](#) [647662-1](#) [65039-019ELF](#) [65817-002LF](#) [65817-015LF](#) [65863-015LF](#) [66207-023LF](#) [67016-026LF](#) [67046-001LF](#) [67095-007LF](#) [68002-116](#) [68016-236H](#) [68648-049](#)