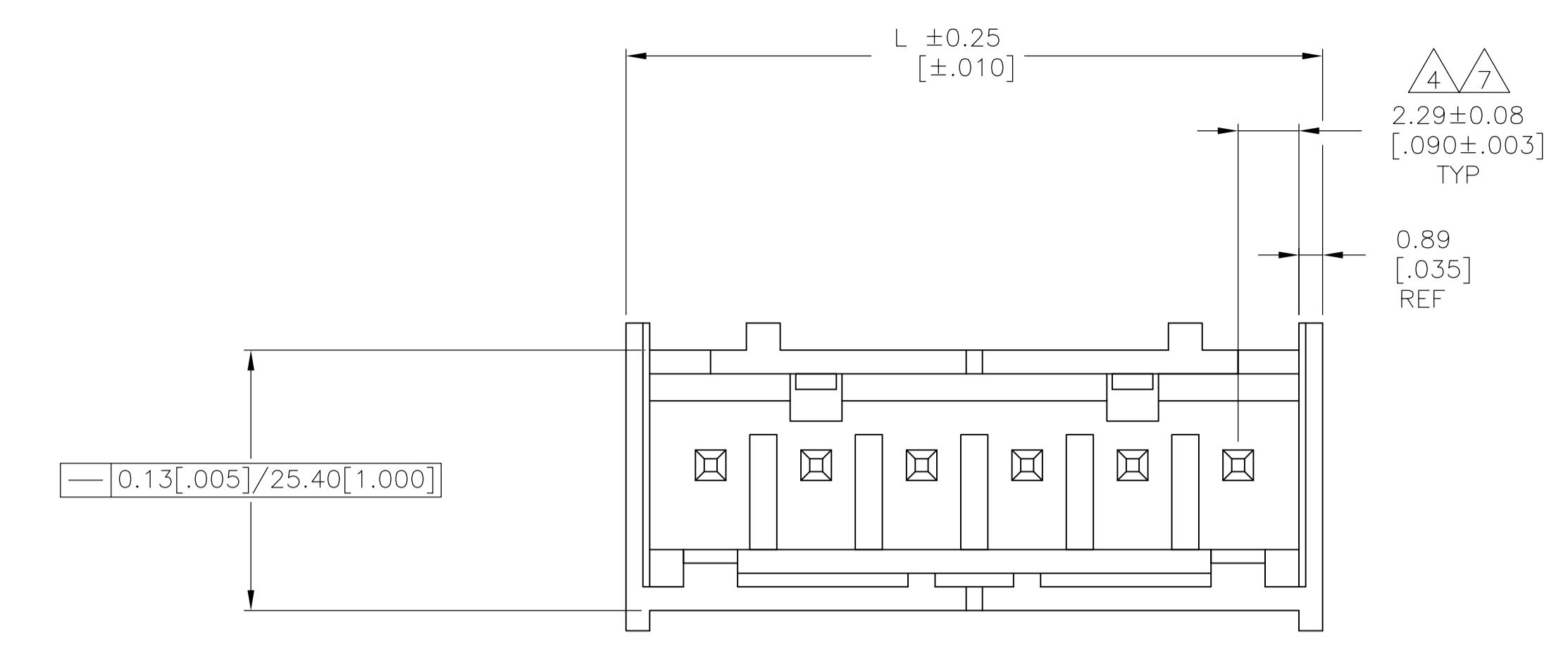


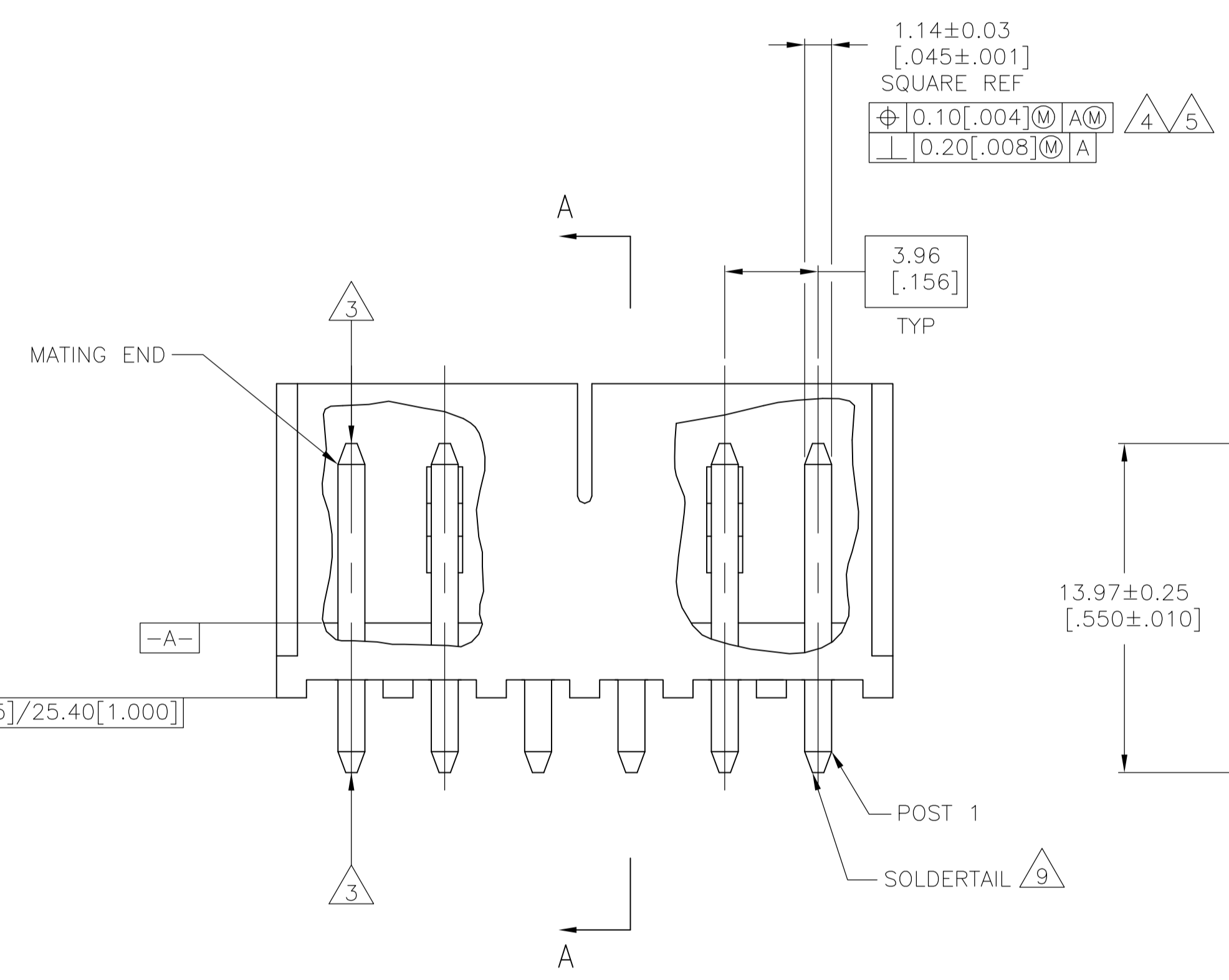
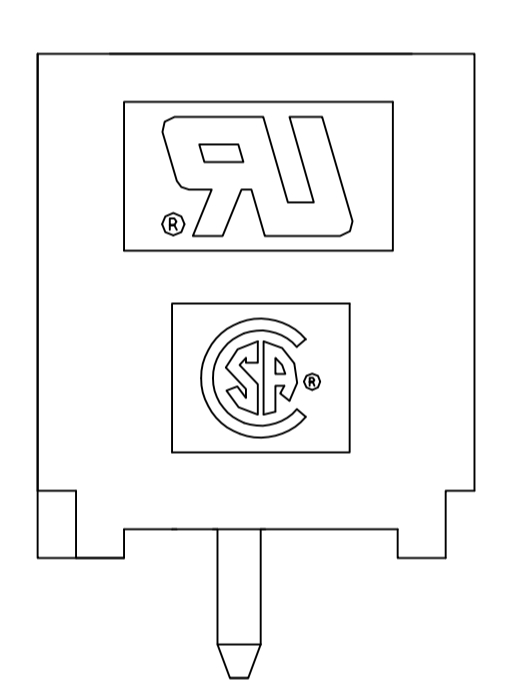
LOC		DIST		REVISIONS			
CM	0	REV	DATE	BY	CHKD	APPROV	
G1	REVISED	PER	ECR-15-007038	28SEP2015	NK	PQ	



2.29±0.08  
[.090±.003]  
TYP

0.89  
[.035]  
REF

0.13[.005]/25.40[1.000]



1.14±0.03  
[.045±.001]  
SQUARE REF

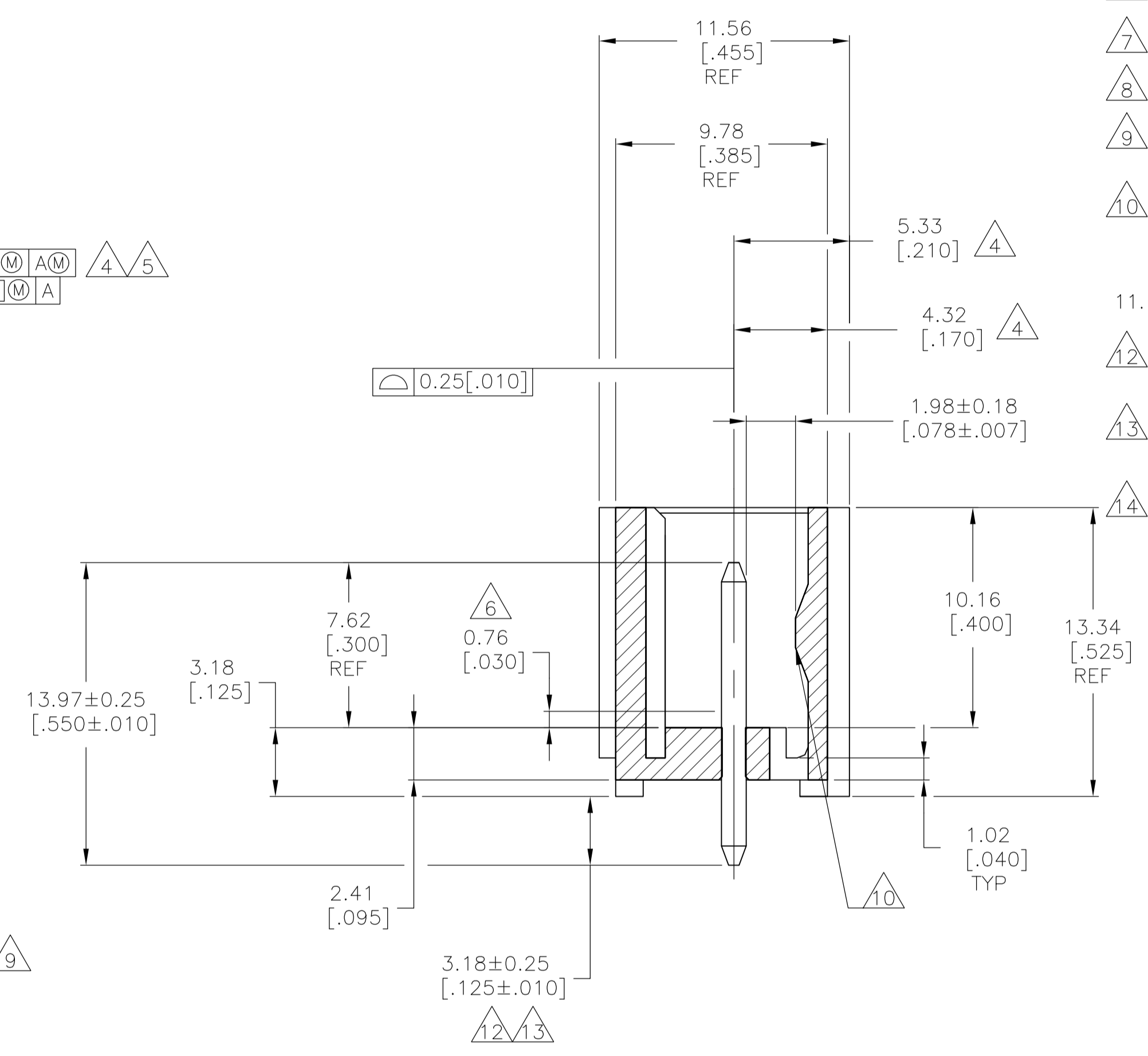
0.10[.004] M A

0.20[.008] M A

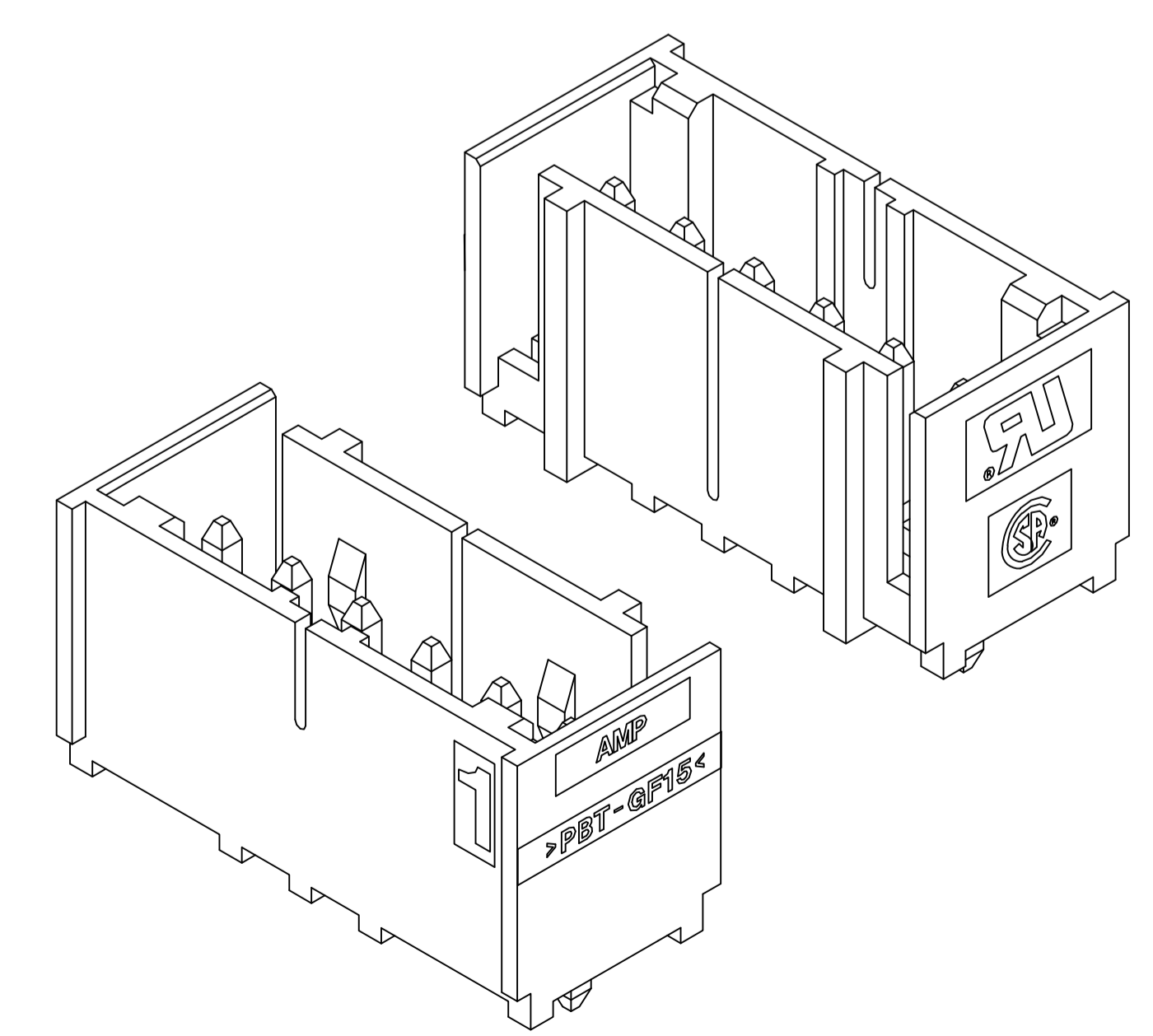
MATING END

POST 1

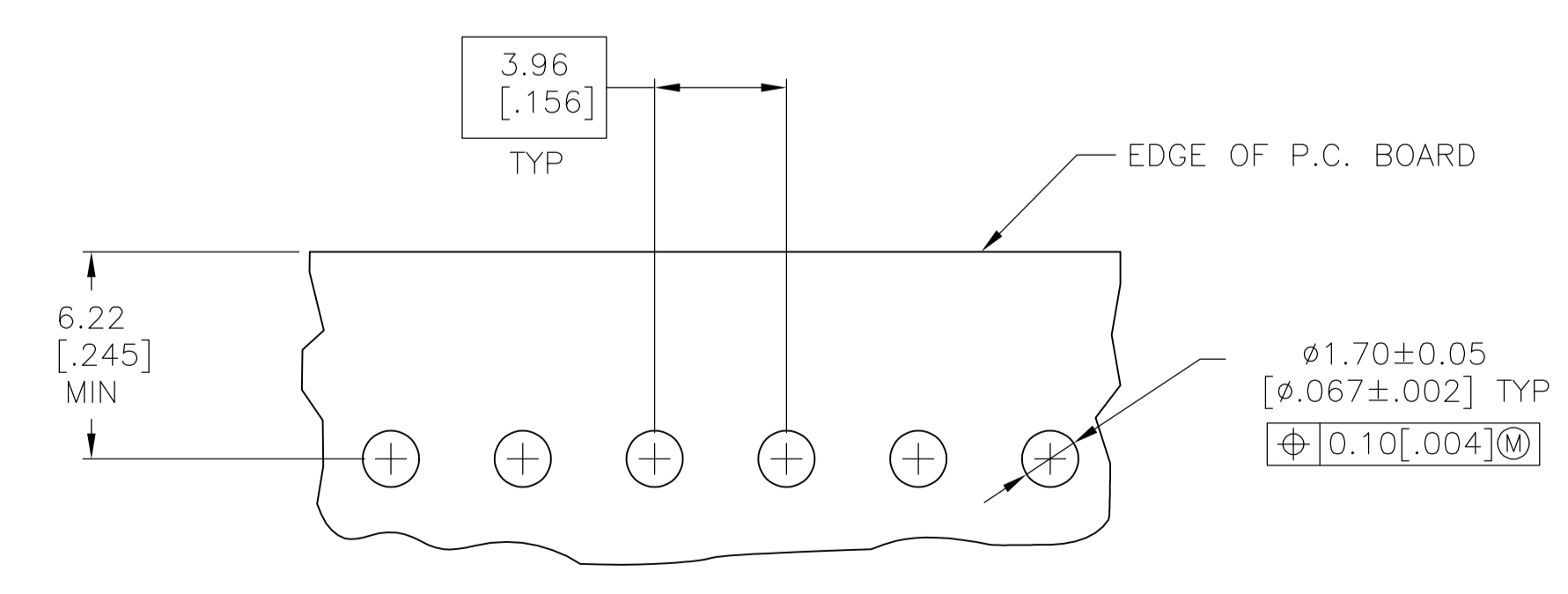
SOLDERTAIL



SECTION A-A



3-DIMENSIONAL MODEL NTS



RECOMMENDED MOUNTING HOLE PATTERN FOR 1.57[.062] THICK P.C. BOARD

- MATERIAL:  
HOUSING - THERMOPLASTIC POLYESTER, GLASS FILLED, UL94-0.  
POST - COPPER ALLOY
- FINISH:  
HOUSING - BLACK  
POST - SEE NOTES 12 AND 13.
- POST TO WITHSTAND 3LBS (16N) MIN AXIAL FORCE IN THIS DIRECTION WITHOUT DISLODGING.
- APPLIES AT -A-
- APPLIES WHEN HEADER IS STRAIGHT.
- PLASTIC PROJECTIONS PERMITTED IN THIS ZONE.
- COORDINATE DIMENSIONS APPLIES FROM CENTER OF ACTUAL FEATURE.
- SOLDER SIDE OF BOARD IS SHOWN.
- POST SOLDER TAIL MUST COMPLY WITH AMP SOLDERABILITY SPEC 109-11-2.
- LATCH DETENT FEATURE APPEARS 1 PLACE ON EACH END OF PART (MAX OF 2 PER PART) ON ALL POSITIONS 4 THRU 12. THE LATCH APPEARS ONLY ONE PLACE ON 2 & 3 POSITION PARTS.
- DIMENSIONS IN BRACKETS ARE IN INCHES.
- MATTE TIN PLATE 0.00381 - 0.00889 [.000150 - .000350] THICK, OVER NICKEL UNDERPLATE 0.00127 [.000050] MIN THICK.
- MATTE TIN PLATE 0.00381 - 0.00889 [.000150 - .000350] THICK, OVER NICKEL UNDERPLATE 0.00127 [.000050] MIN THICK.
- OBSOLETE PARTS: OBSOLETE CIS STREAMLINING PER D.RENAUD/D.SINISI

REV	DATE	BY	CHKD	APPROV	PART NUMBER
49.94	1.966	12			3-647123-2
45.97	1.810	11			3-647123-1
42.01	1.654	10			3-647123-0
38.05	1.498	9			2-647123-9
34.09	1.342	8			2-647123-8
30.12	1.186	7			2-647123-7
26.16	1.030	6			2-647123-6
22.20	.874	5			2-647123-5
18.24	.718	4			2-647123-4
14.27	.562	3			2-647123-3
10.31	.406	2			2-647123-2
49.94	1.966	12			1-647123-2
45.97	1.810	11			1-647123-1
42.01	1.654	10			1-647123-0
38.05	1.498	9			1-647123-9
34.09	1.342	8			1-647123-8
30.12	1.186	7			1-647123-7
26.16	1.030	6			1-647123-6
22.20	.874	5			1-647123-5
18.24	.718	4			1-647123-4
14.27	.562	3			1-647123-3
10.31	.406	2			1-647123-2

OBSOLETE SUPERSEDED  
OBSOLETE SUPERSEDED BY 2-647123-8

THIS DRAWING IS A CONTROLLED DOCUMENT.		DIN S CARPENTER 22JUL03		TE Connectivity	
DIMENSIONS: mm [INCHES]	TOLERANCES UNLESS OTHERWISE SPECIFIED:	CHK D BOSSI 22JUL03	NAME	SIZE	CAGE CODE DRAWING NO
0 PLC ± -	1 PLC ± -	APPROV D BOSSI 22JUL03	MTA-156 SHROUDED HEADER ASSEMBLY, STRAIGHT .045 SQUARE POST, TIN W/O RETENTION PEG	SCALE	RESTRICTED TO
2 PLC ± -	3 PLC ± -			A1 00779	647123
4 PLC ± -	ANGLES ± -			CUSTOMER DRAWING	SCALE 5:1 SHEET 1 OF 1 REV G1

## X-ON Electronics

Largest Supplier of Electrical and Electronic Components

*Click to view similar products for te connectivity manufacturer:*

Other Similar products are found below :

[570416-000](#) [CLTEQ-M81CE-SSRELAY-4-20V](#) [D38999/24FJ4AN](#) [358838-000](#) [4-1195131-0](#) [650069-000](#) [SMD100-2](#) [CB-1022B-78](#)  
[RM707012](#) [RP410012](#) [MMS42](#) [1-640426-8](#) [2EDL4CM](#) [DTS20W19-11PD-3028-LC](#) [RM202615](#) [NC6-P104-06](#) [MSPS103B](#) [DTS26F21-41AE](#) [DTS26F21-41PE-LC](#) [DTS26F21-11SE-3028-LC](#) [1932144-1](#) [293545-4](#) [LVR125S](#) [MS27466T25F4PB](#) [CKB-38-78010](#)  
[1206SFF150F/63-2](#) [D38999/20JB35HA](#) [D38999/24WJ20PA](#) [1754138-1](#) [TE1500A2R2J](#) [DTS24F25-29PC-3028-LC](#) [D38999/24WG11HA](#)  
[D38999/24WG11HN](#) [MS27467T21F11H](#) [DJT16E21-11HA](#) [1206SFH150F/24-2](#) [DTS24F19-11SC-3028-LC](#) [DTS24F21-41HN-LC](#)  
[DTS24F21-41AN](#) [DTS24F21-41PN-LC](#) [RP330024](#) [MS27467T21F35J](#) [MS27467T21F11J](#) [MS27467T21F16H-LC](#) [MS27467T21F35H](#)  
[MS27467T21F41H-LC](#) [DJT16E21-11PA-LC](#) [DJT16E21-11HA-LC](#) [DJT16E21-11AA](#) [MS27467T21B11JA](#)