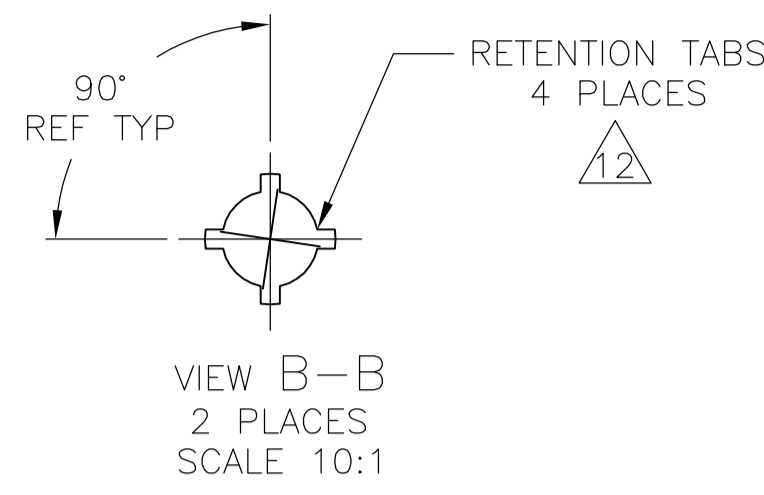
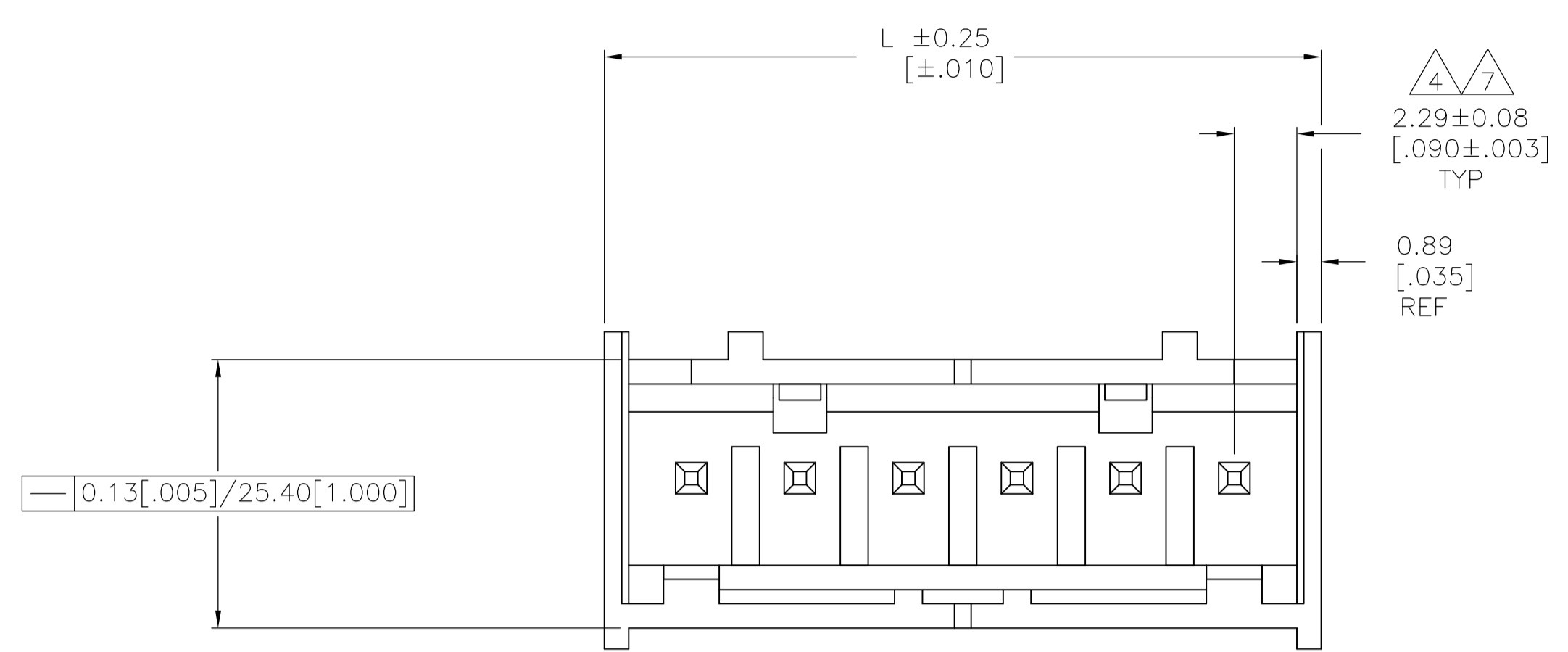
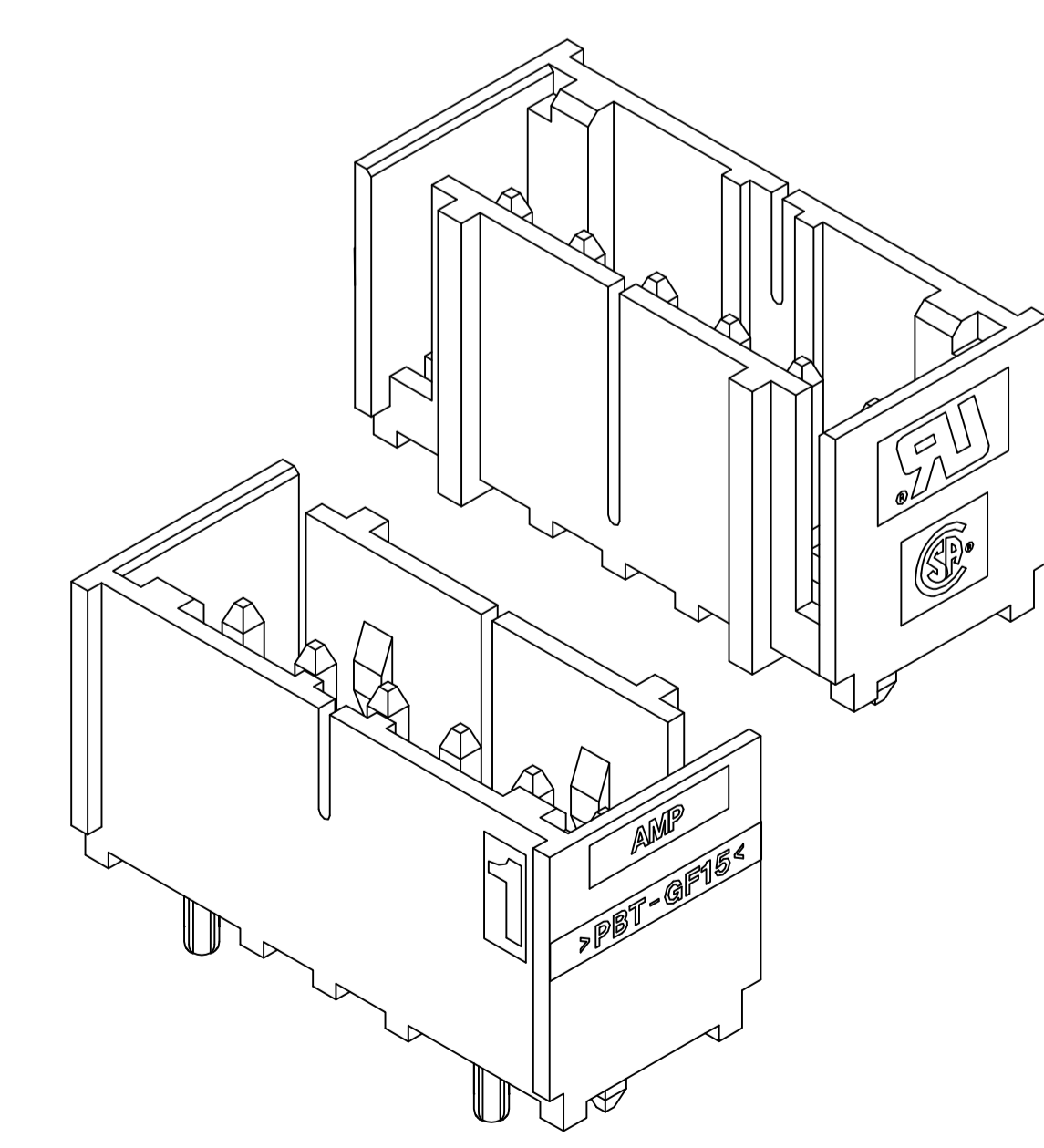
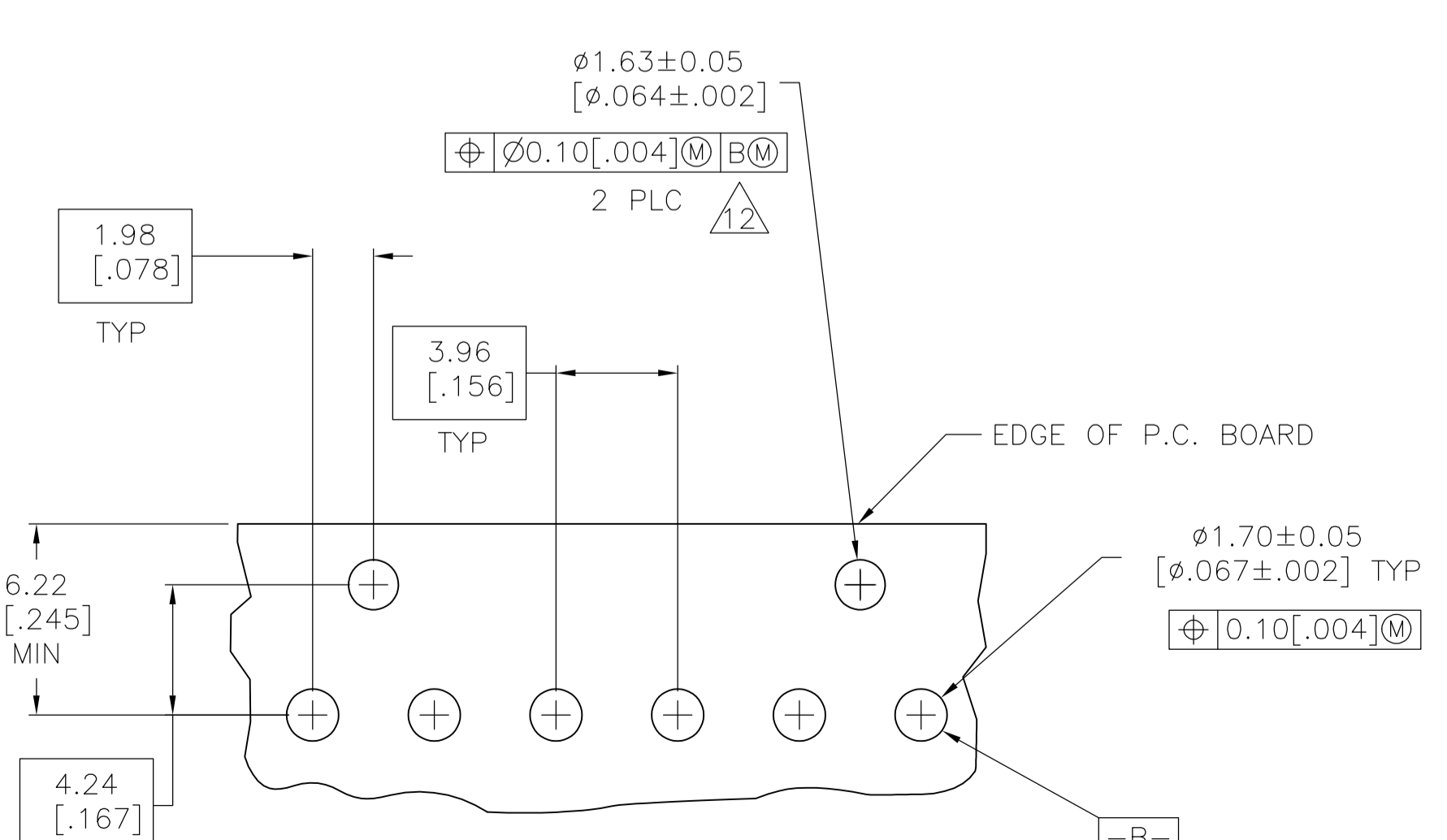
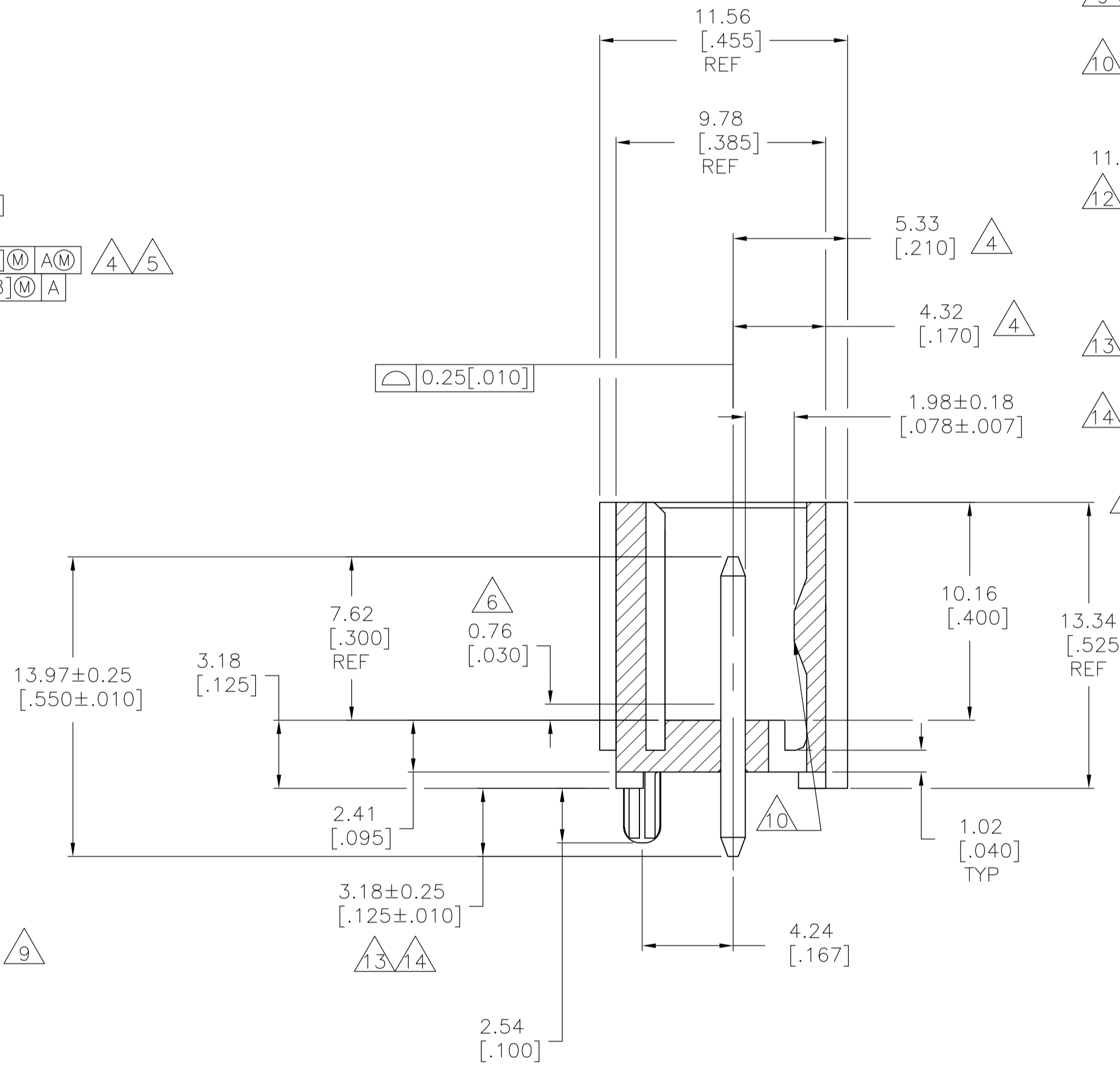
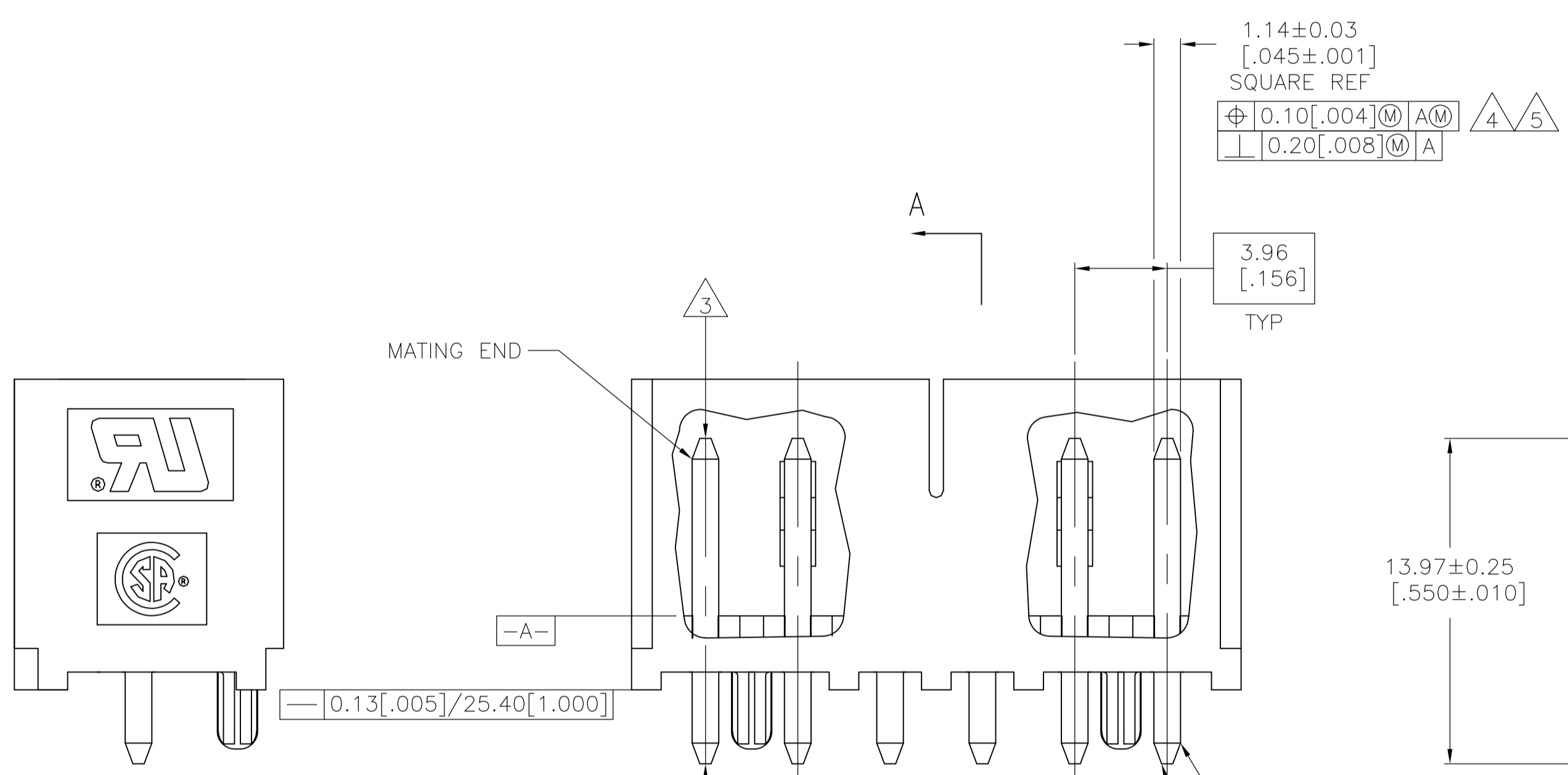


| LOC | DIST | REVISIONS | | | | |
|-----|-------------|---------------|-------------|-----------|----|------|
| CM | 0 | REV | DESCRIPTION | DATE | BY | APPV |
| E1 | REVISED PER | ECR-15-007038 | | 28SEP2015 | NK | PQ |



- 1 MATERIAL: HOUSING - THERMOPLASTIC POLYESTER, GLASS FILLED, UL94-0. POST - COPPER ALLOY
- 2 FINISH: HOUSING - BLACK. POST - SEE NOTES 13 AND 14.
- 3 POST TO WITHSTAND 3LBS (16N) MIN AXIAL FORCE IN THIS DIRECTION WITHOUT DISLODGING.
- 4 APPLIES AT -A-.
- 5 APPLIES WHEN HEADER IS STRAIGHT.
- 6 PLASTIC PROJECTIONS PERMITTED IN THIS ZONE.
- 7 COORDINATE DIMENSIONS APPLIES FROM CENTER OF ACTUAL FEATURE.
- 8 SOLDER SIDE OF BOARD IS SHOWN.
- 9 POST SOLDERTAIL MUST COMPLY WITH AMP SOLDERABILITY SPEC 109-11-2.
- 10 LATCH DETENT FEATURE APPEARS 1 PLACE ON EACH END OF PART (MAX OF 2 PER PART) ON ALL POSITIONS 4 THRU 12. THE LATCH APPEARS ONLY ONE PLACE ON 2 & 3 POSITION PARTS.
- 11 DIMENSIONS IN BRACKETS ARE IN INCHES.
- 12 THE RETENTION TABS PROVIDE A ONE TIME INTERFERENCE FIT IN THE 1.63 [0.064] DIAMETER P.C. BOARD HOLE FOR HEADER ASSEMBLY RETENTION DURING SOLDERING. FOUR TABS PER PEG, TWO PEGS PER HEADER ASSEMBLY (ONE PEG ONLY FOR -2 POSITION SIZE).
- 13 MATTE TIN PLATE 0.00381 - 0.00889 [.000150 - .000350] THICK, OVER NICKEL UNDERPLATE 0.00127 [.000050] MIN THICK.
- 14 MATTE TIN PLATE 0.00381 - 0.00889 [.000150 - .000350] THICK, OVER NICKEL UNDERPLATE 0.00127 [.000050] MIN THICK.
- 15 OBSOLETE PARTS: OBSOLETE CIS STREAMLINING PER D.RENAUD/D.SINISI



- 13 SUPERCEDED BY 3-647127-2
- 13 SUPERCEDED BY 3-647127-1
- 13 SUPERCEDED BY 3-647127-0
- 13 SUPERCEDED BY 2-647127-9
- 13 SUPERCEDED BY 2-647127-8
- 13 SUPERCEDED BY 2-647127-7
- 13 SUPERCEDED BY 2-647127-6
- 13 OBSOLETE
- 13 SUPERCEDED BY 2-647127-4
- 13 OBSOLETE
- 13 OBSOLETE

| PLATING | MM | IN | NO. OF POSN | PART NUMBER |
|---------|-------|-------|-------------|-------------|
| | 49.94 | 1.966 | 12 | 3-647127-2 |
| | 45.97 | 1.810 | 11 | 3-647127-1 |
| | 42.01 | 1.654 | 10 | 3-647127-0 |
| | 38.05 | 1.498 | 9 | 2-647127-9 |
| | 34.09 | 1.342 | 8 | 2-647127-8 |
| | 30.12 | 1.186 | 7 | 2-647127-7 |
| | 26.16 | 1.030 | 6 | 2-647127-6 |
| | 22.20 | .874 | 5 | 2-647127-5 |
| | 18.24 | .718 | 4 | 2-647127-4 |
| | 14.27 | .562 | 3 | 2-647127-3 |
| | 10.31 | .406 | 2 | 2-647127-2 |
| | 49.94 | 1.966 | 12 | 1-647127-2 |
| | 45.97 | 1.810 | 11 | 1-647127-1 |
| | 42.01 | 1.654 | 10 | 1-647127-0 |
| | 38.05 | 1.498 | 9 | -647127-9 |
| | 34.09 | 1.342 | 8 | -647127-8 |
| | 30.12 | 1.186 | 7 | -647127-7 |
| | 26.16 | 1.030 | 6 | -647127-6 |
| | 22.20 | .874 | 5 | -647127-5 |
| | 18.24 | .718 | 4 | -647127-4 |
| | 14.27 | .562 | 3 | -647127-3 |
| | 10.31 | .406 | 2 | -647127-2 |

THIS DRAWING IS A CONTROLLED DOCUMENT. DIMENSIONS: mm [INCHES]. TOLERANCES UNLESS OTHERWISE SPECIFIED: 0 PLC ±, 1 PLC ±, 2 PLC ±, 3 PLC ±, 4 PLC ±, ANGLES ±.

| | | | |
|----------------------|-------------------------|------------------|--|
| DIN B. LEWIS 17JUN98 | APPROV D. CLARK 17JUN98 | NAME | MTA-156 SHROUDED HEADER ASSEMBLY, STRAIGHT .045 SQUARE POST, TIN, W/ RETENTION PEG |
| CHK R. SWING | PRODUCT SPEC | APPLICATION SPEC | SIZE A1 |
| WEIGHT | DRAWING NO. 00779 | SCALE 5:1 | SHEET 1 OF 1 |
| CUSTOMER DRAWING | REV 1 | REV E1 | |

STE TE Connectivity

X-ON Electronics

Largest Supplier of Electrical and Electronic Components

Click to view similar products for [Headers & Wire Housings](#) category:

Click to view products by [TE Connectivity](#) manufacturer:

Other Similar products are found below :

[892-18-020-10-001101](#) [58102-G61-06LF](#) [582553-1](#) [0009485154](#) [009176003701906](#) [0050291907](#) [LY20-4P-DT1-P1E-BR](#) [02.125.8002.8](#)
[609-3404](#) [61062-3](#) [61082-181009](#) [622-3653LF](#) [63453-116](#) [636-1030](#) [636-1427](#) [636-3427](#) [636-4007](#) [641938-9](#) [641991-4](#) [644827-2](#) [65817-010LF](#) [65817-015LF](#) [65863-015LF](#) [66207-023LF](#) [67095-007LF](#) [67601157](#) [68645-018](#) [68648-049](#) [70.362.1628.0](#) [70-4210](#) [70-4226B](#) [70-4853B](#) [707-5020](#) [707-5028](#) [71.350.2428.0](#) [71918-208LF](#) [71961-016LF](#) [733-134](#) [733-162](#) [754199-000](#) [760-3052](#) [787-8014-00](#) [79531-3000](#)
[FCN-360C032-B](#) [FCN-367T-T012/H](#) [FCN-723D010/2](#) [80.063.4001.1](#) [800-90-001-10-001000](#) [800-90-010-10-002000](#) [801-43-002-10-013000](#)