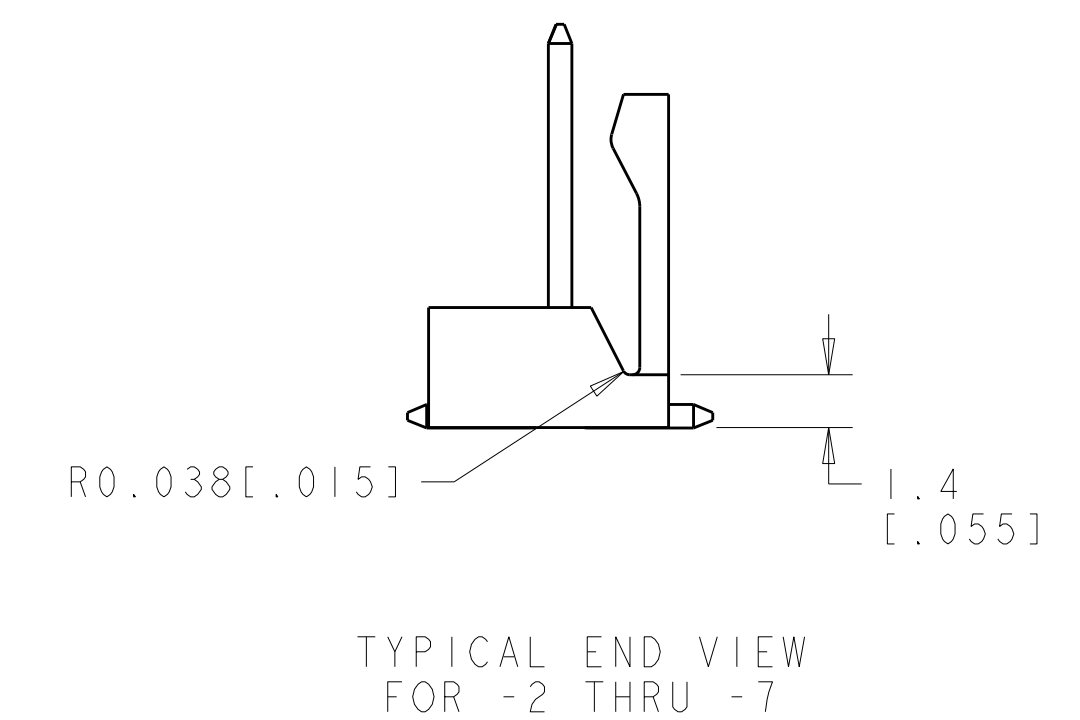
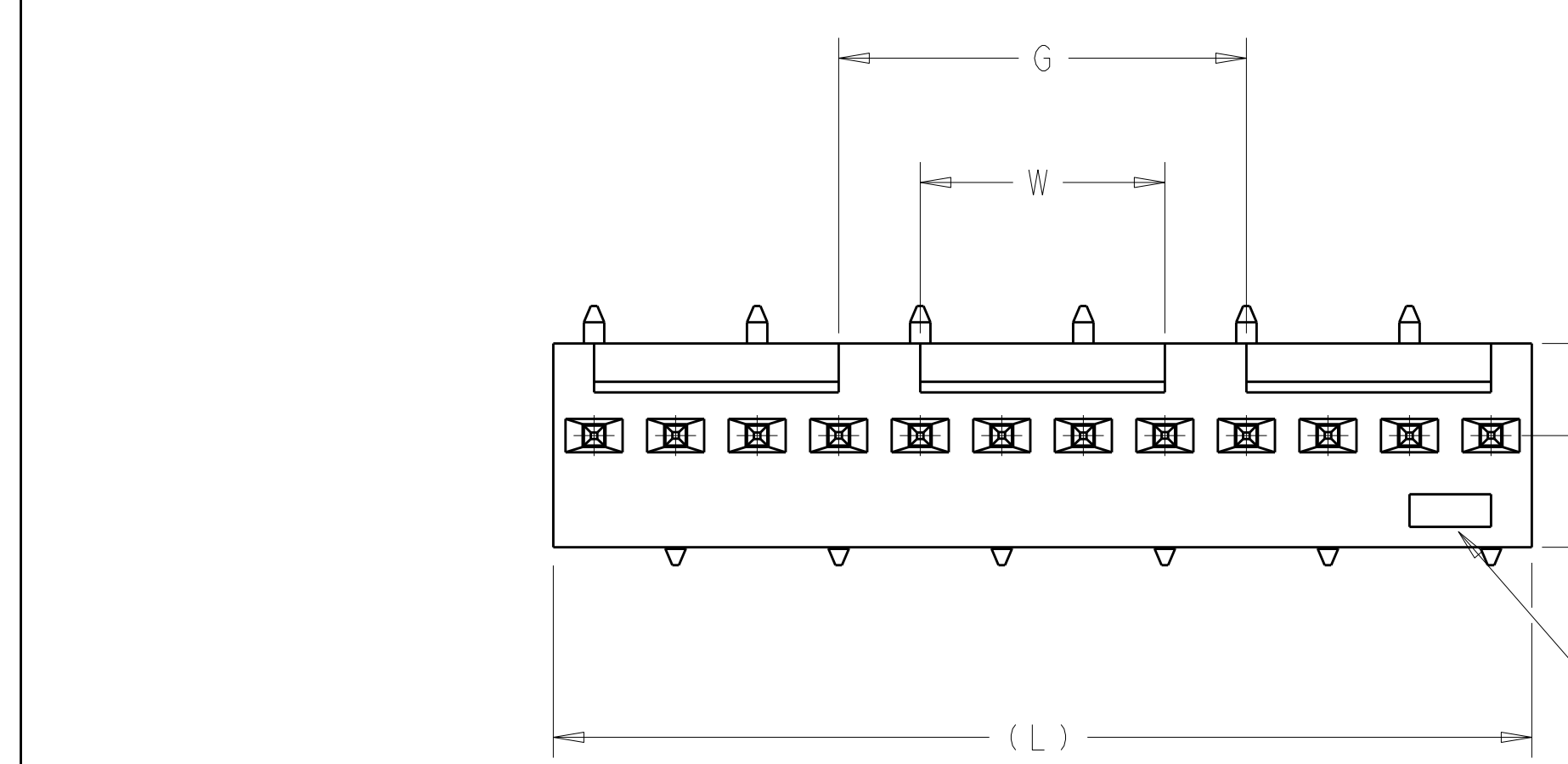
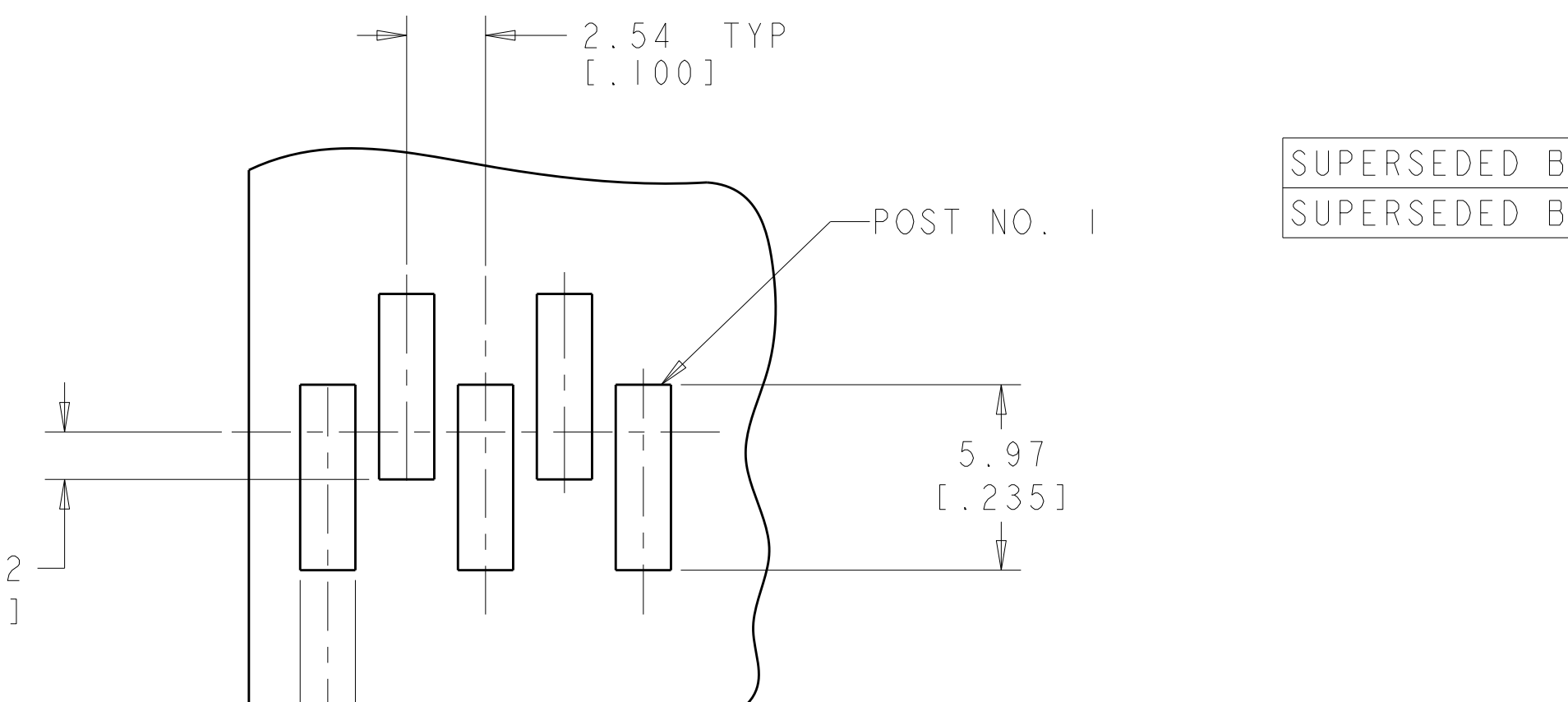
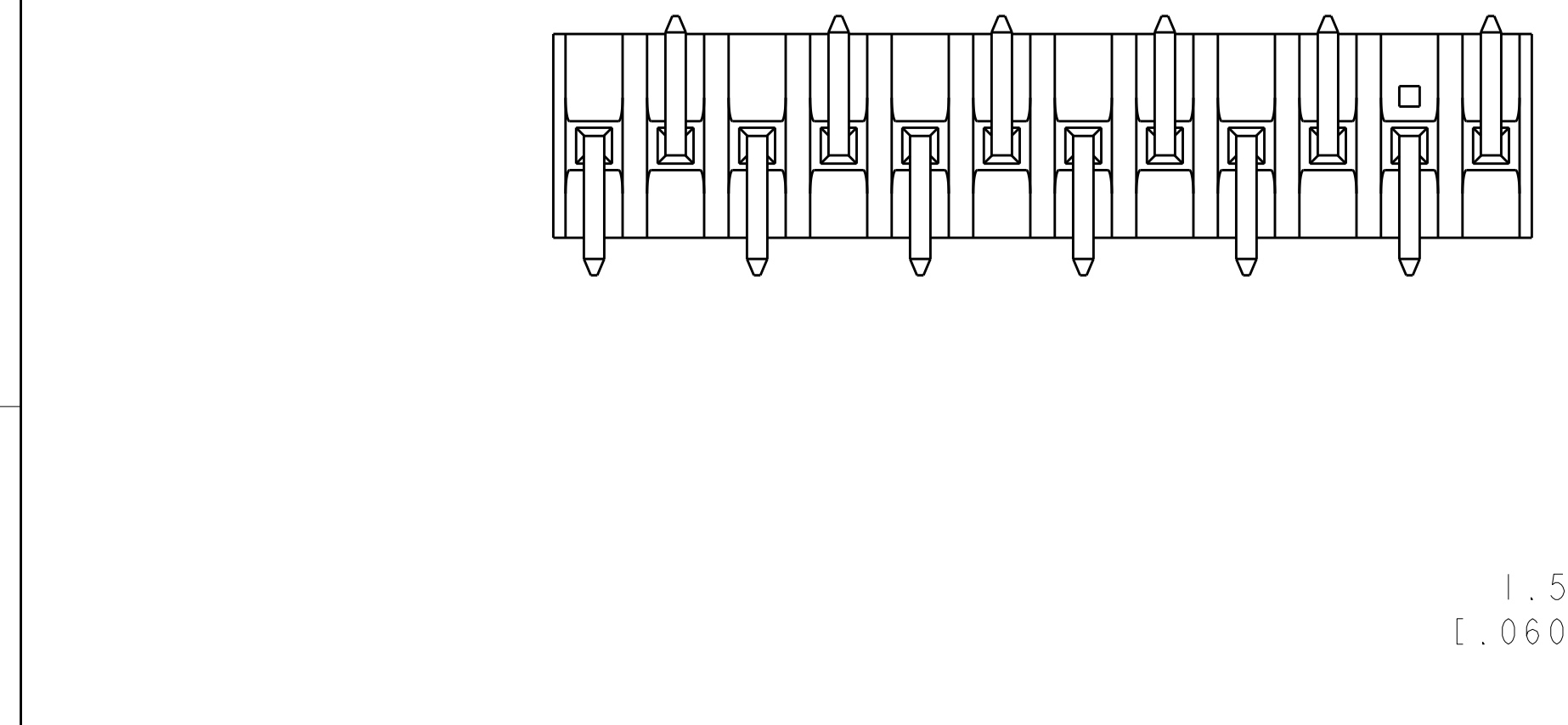
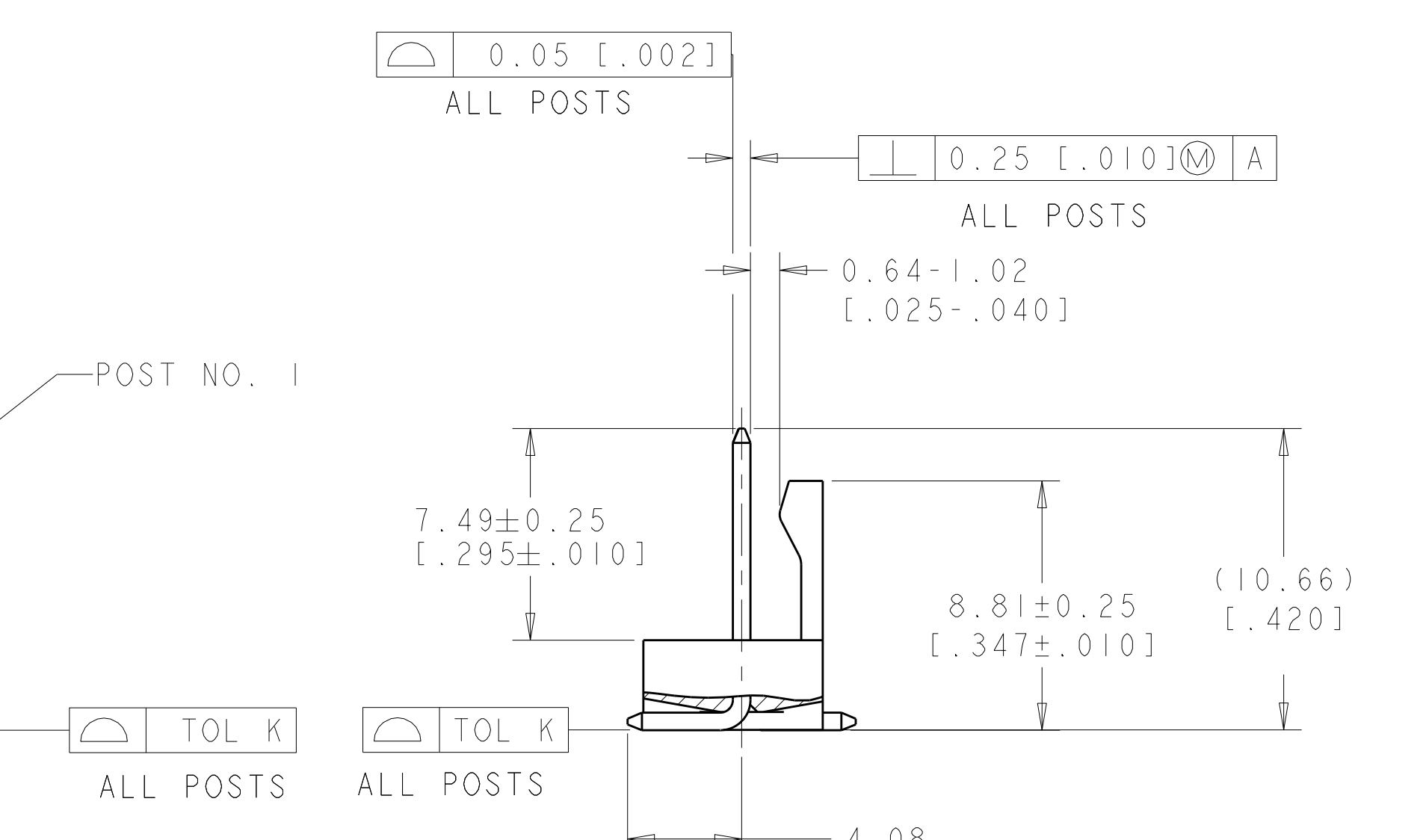
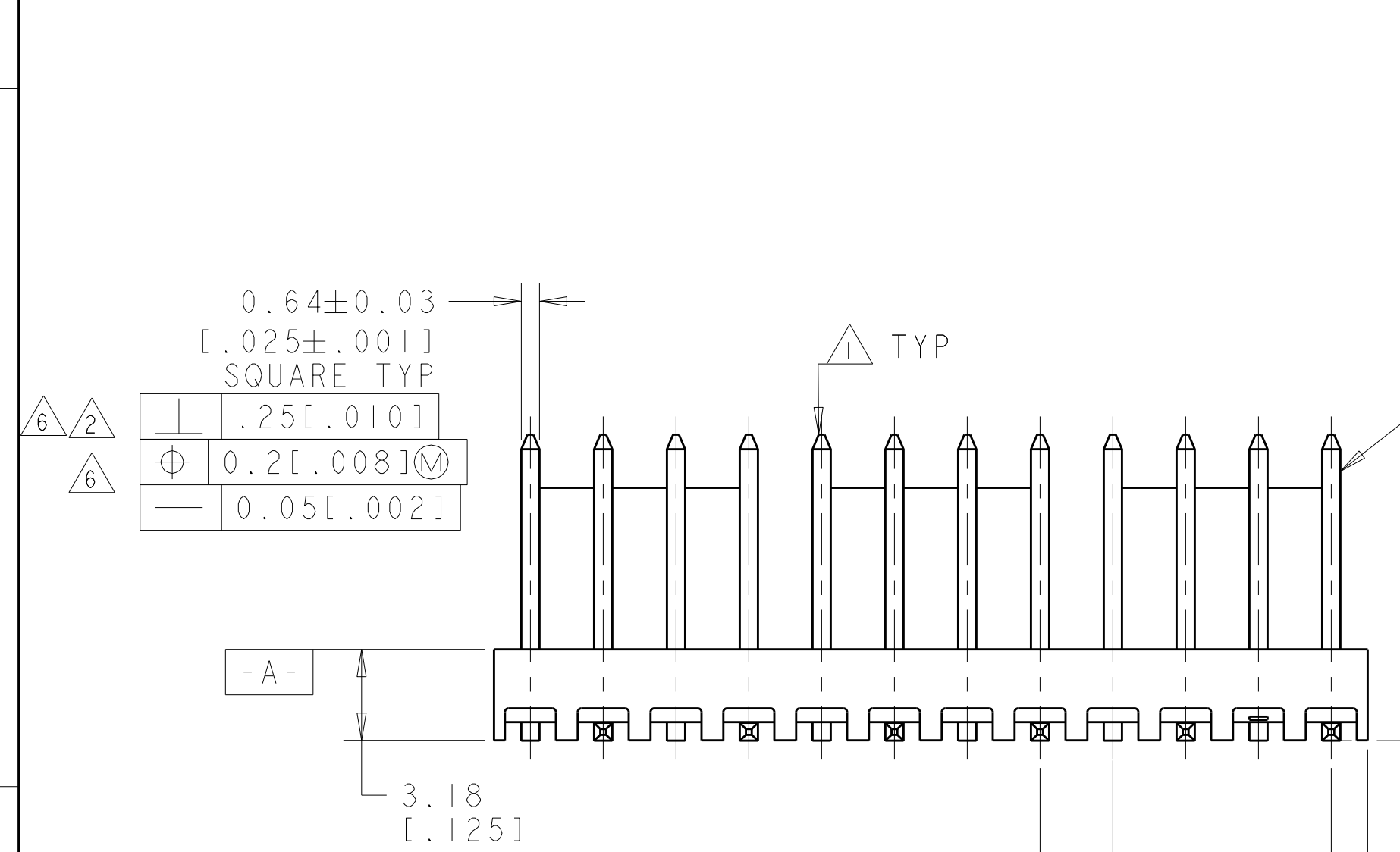


REVISIONS				
REV	DATE	DESCRIPTION	BY	APP'D
R1	13JUL2018	REVISED PER ECR-18-004355	BDA	SG
R2	22OCT2019	REVISED PER ECR-19-014111	PC	SW



- △ POST WITHSTAND 13 NEWTONS (3 LBS) MIN AXIAL FORCE IN DIRECTION SHOWN WITHOUT DISLODGING.
- △ MEASURED AT -A-.
- 3. PARTS COMPLY WITH SOLDERABILITY SPEC 109-11-2.
- △ MATERIAL: HOUSING: NYLON, 4/6, HIGH TEMP, BLACK. POST -2 THRU -12 COPPER ALLOY TIN LEAD (93/7) PLATING. POST -32 THRU -42 COPPER ALLOY TIN PLATING.
- △ COORDINATE DIMENSION APPLIES FROM CENTER OF ACTUAL FEATURE.
- △ POSTS TO BE MEASURED WHEN STRIP HELD FLAT.
- 7. DIMENSIONS IN BRACKETS ARE IN INCHES.
- △ TE LOGO, UL, AND CSA TRADEMARKS TO APPEAR ON THIS SURFACE.



REV	DATE	DESCRIPTION	BY	APP'D	NO OF POSN	PART NO
SUPERSEDED BY 647166-MXCU	0.20 [.008]	12.70 [.500]	27.94 [1.100]	45.72 [1.800]	18	4-647166-8
SUPERSEDED BY 647166-MXCU	0.20 [.008]	12.70 [.500]	17.78 [.700]	35.56 [1.400]	14	4-647166-4
	0.15 [.006]	7.62 [.300]	12.70 [.500]	30.48 [1.200]	12	4-647166-2
	0.15 [.006]	-	10.16 [.400]	27.94 [1.100]	11	4-647166-1
	0.15 [.006]	-	7.62 [.300]	25.40 [1.000]	10	4-647166-0
	0.15 [.006]	-	5.08 [.200]	22.86 [.900]	9	3-647166-9
	0.15 [.006]	-	2.54 [.100]	20.32 [.800]	8	3-647166-8
	0.15 [.006]	-	-	17.78 [.700]	7	3-647166-7
	0.15 [.006]	-	-	15.24 [.600]	6	3-647166-6
	0.15 [.006]	-	-	12.70 [.500]	5	3-647166-5
	0.15 [.006]	-	-	10.16 [.400]	4	3-647166-4
	0.15 [.006]	-	-	7.62 [.300]	3	3-647166-3
	0.15 [.006]	-	-	5.08 [.200]	2	3-647166-2
SUPERSEDED BY 647166-MXCU	0.20 [.008]	12.70 [.500]	27.94 [1.100]	45.72 [1.800]	18	1-647166-8
SUPERSEDED BY 647166-MXCU	0.20 [.008]	12.70 [.500]	17.78 [.700]	35.56 [1.400]	14	1-647166-4
OBSOLETE	0.15 [.006]	7.62 [.300]	12.70 [.500]	30.48 [1.200]	12	1-647166-2
OBSOLETE	0.15 [.006]	-	10.16 [.400]	27.94 [1.100]	11	1-647166-1
OBSOLETE	0.15 [.006]	-	7.62 [.300]	25.40 [1.000]	10	1-647166-0
OBSOLETE	0.15 [.006]	-	5.08 [.200]	22.86 [.900]	9	647166-9
OBSOLETE	0.15 [.006]	-	2.54 [.100]	20.32 [.800]	8	647166-8
OBSOLETE	0.15 [.006]	-	-	17.78 [.700]	7	647166-7
OBSOLETE	0.15 [.006]	-	-	15.24 [.600]	6	647166-6
OBSOLETE	0.15 [.006]	-	-	12.70 [.500]	5	647166-5
OBSOLETE	0.15 [.006]	-	-	10.16 [.400]	4	647166-4
OBSOLETE	0.15 [.006]	-	-	7.62 [.300]	3	647166-3
OBSOLETE	0.15 [.006]	-	-	5.08 [.200]	2	647166-2
	TOL K	W	G	L	NO OF POSN	PART NO

RECOMMENDED MOUNTING HOLE PATTERN FOR USE WITH 0.25 [.010] THICK STENCIL

THIS DRAWING IS A CONTROLLED DOCUMENT. DWG: 14-NOV-2001, CHK: WHITAKER, D: BOSSI, APVD: BOSSI, 14-NOV-2001

STE TE Connectivity

MTA-100 HEADER ASSEMBLY, SURFACE MOUNT, FRICTION LOCK, .025 SQUARE STRAIGHT POST, TIN OR TIN-LEAD PLATED

MATERIAL: NYLON 4/6, HIGH TEMP, BLACK. FINISH: COPPER ALLOY TIN LEAD (93/7) PLATING. WEIGHT: -

SCALE: 5:1 SHEET 1 OF 1 REV: R2

X-ON Electronics

Largest Supplier of Electrical and Electronic Components

Click to view similar products for te connectivity manufacturer:

Other Similar products are found below :

[570416-000](#) [CLTEQ-M81CE-SSRELAY-4-20V](#) [D38999/24FJ4AN](#) [358838-000](#) [4-1195131-0](#) [650069-000](#) [SMD100-2](#) [CB-1022B-78](#)
[RM707012](#) [RP410012](#) [MMS42](#) [1-640426-8](#) [2EDL4CM](#) [DTS20W19-11PD-3028-LC](#) [RM202615](#) [NC6-P104-06](#) [MSPS103B](#) [DTS26F21-41AE](#) [DTS26F21-41PE-LC](#) [DTS26F21-11SE-3028-LC](#) [1932144-1](#) [293545-4](#) [LVR125S](#) [MS27466T25F4PB](#) [CKB-38-78010](#)
[1206SFF150F/63-2](#) [D38999/20JB35HA](#) [D38999/24WJ20PA](#) [1754138-1](#) [TE1500A2R2J](#) [DTS24F25-29PC-3028-LC](#) [D38999/24WG11HA](#)
[D38999/24WG11HN](#) [MS27467T21F11H](#) [DJT16E21-11HA](#) [1206SFH150F/24-2](#) [DTS24F19-11SC-3028-LC](#) [DTS24F21-41HN-LC](#)
[DTS24F21-41AN](#) [DTS24F21-41PN-LC](#) [RP330024](#) [MS27467T21F35J](#) [MS27467T21F11J](#) [MS27467T21F16H-LC](#) [MS27467T21F35H](#)
[MS27467T21F41H-LC](#) [DJT16E21-11PA-LC](#) [DJT16E21-11HA-LC](#) [DJT16E21-11AA](#) [MS27467T21B11JA](#)