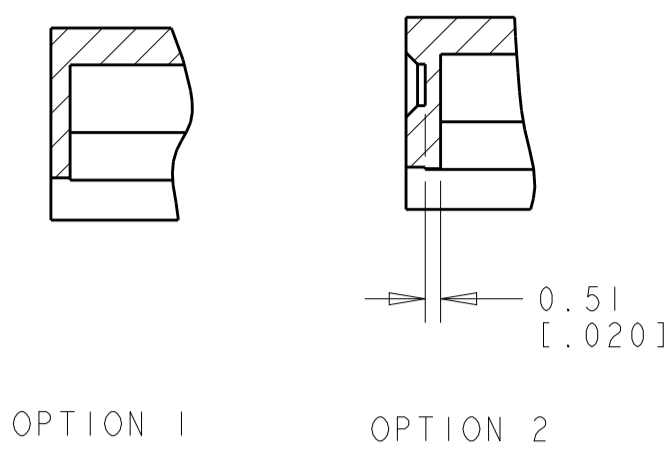
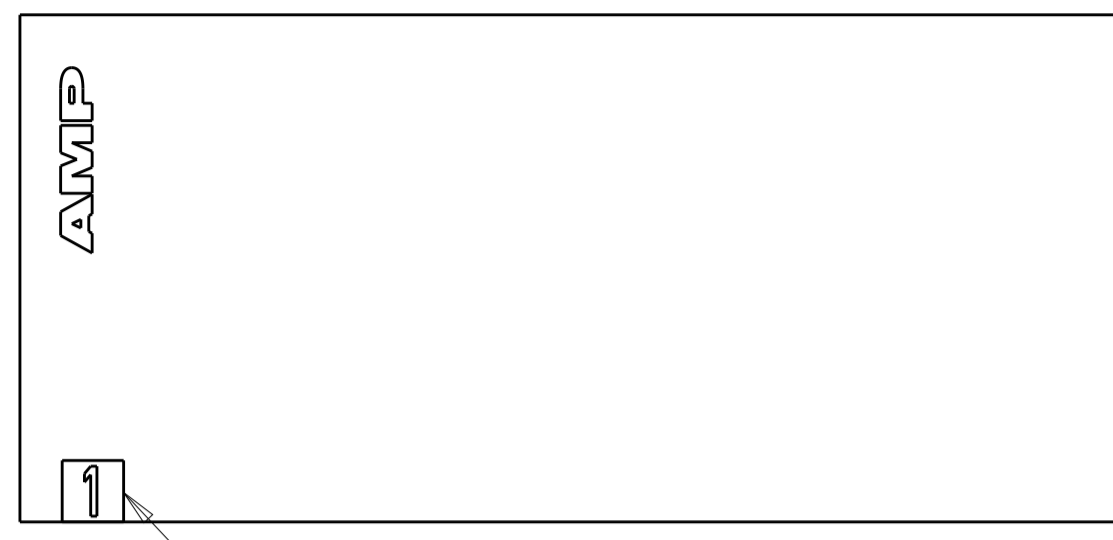
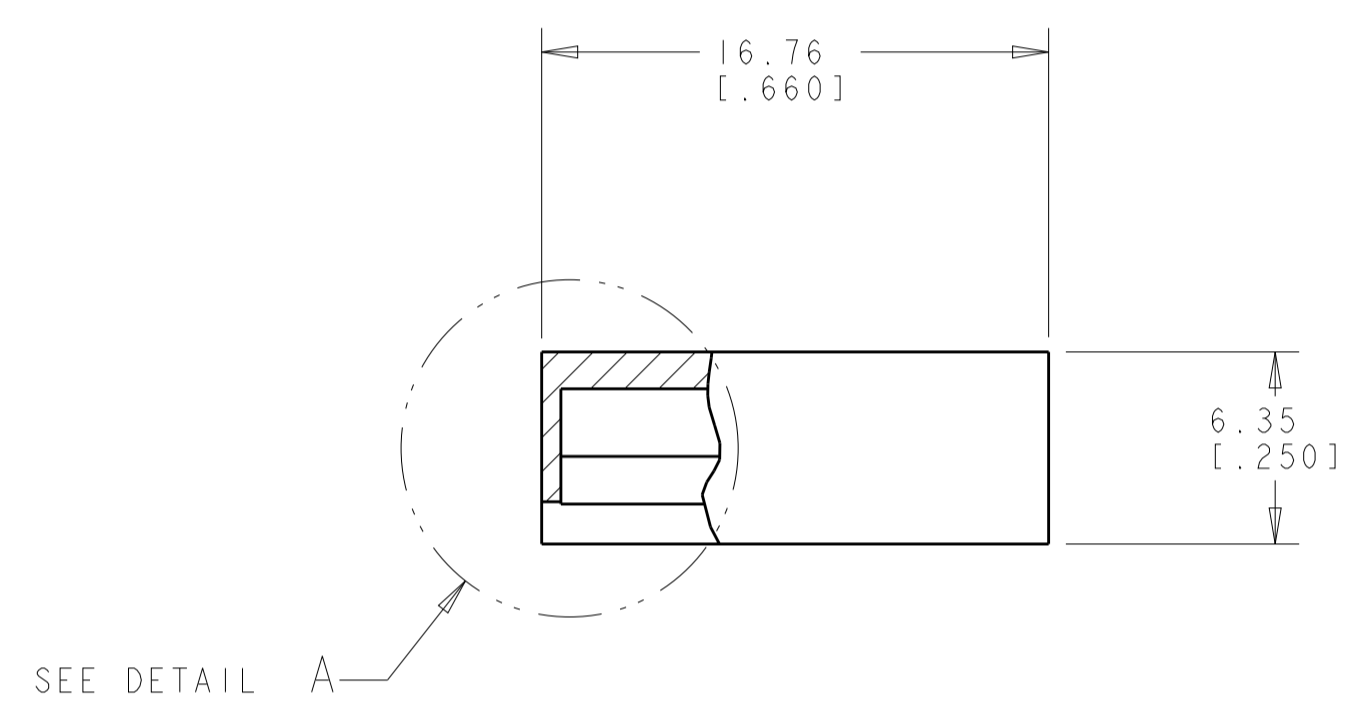
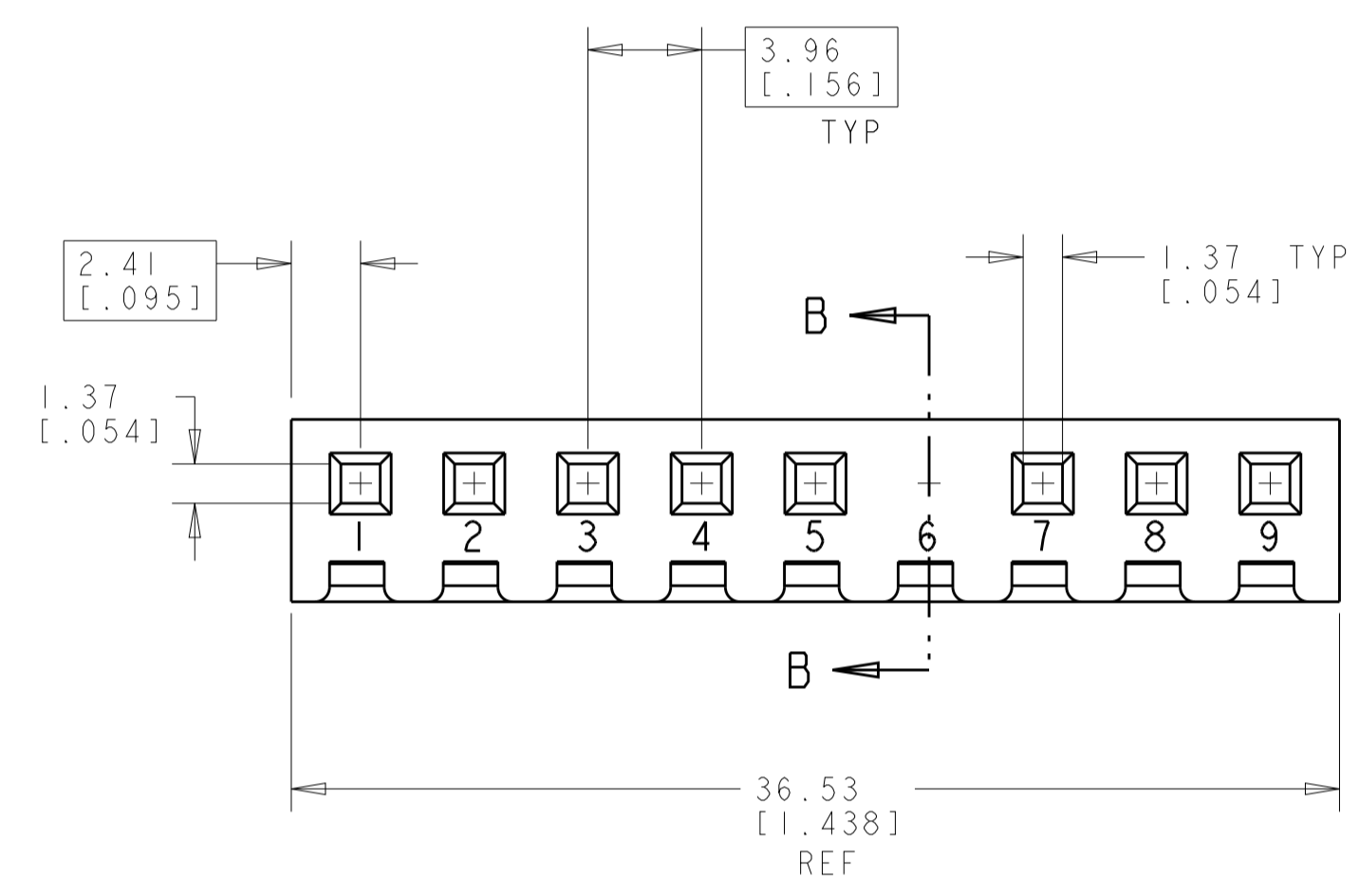


LOC	DIST	REVISIONS					
		P	LTN	DESCRIPTION	DATE	DWN	APVD
CM	00	B		REVISED PER ECO-12-007810	28JUL2012	KH	SM

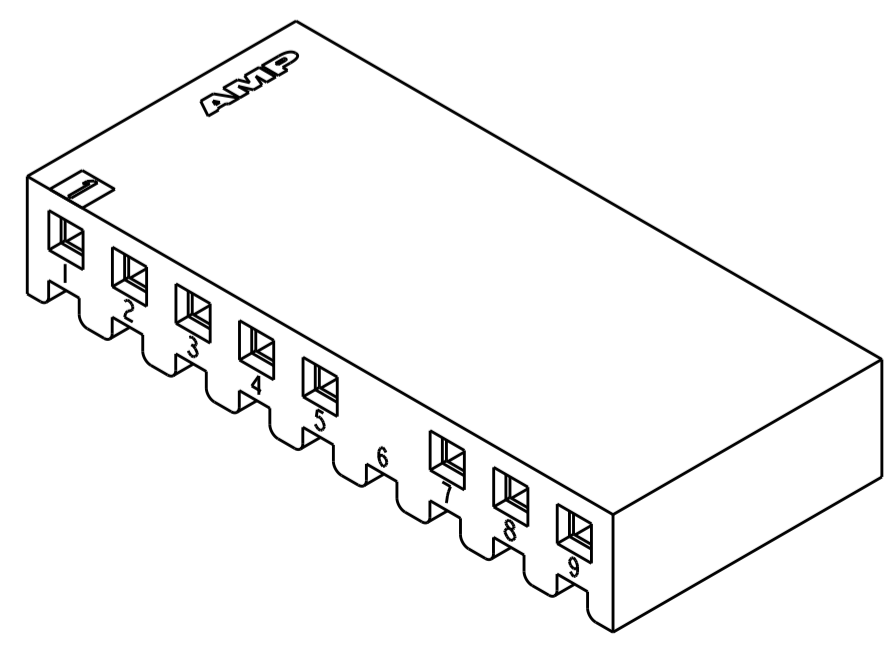
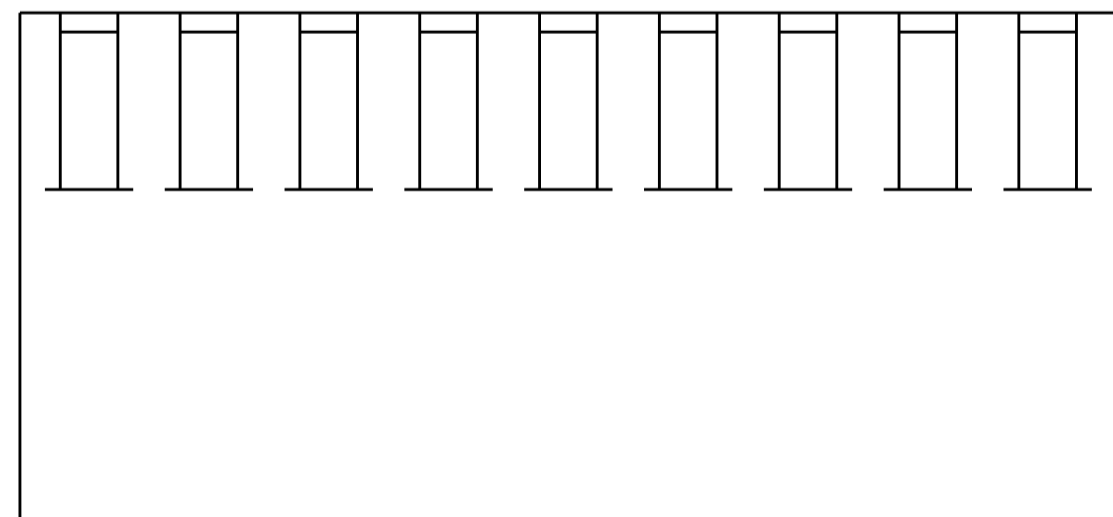
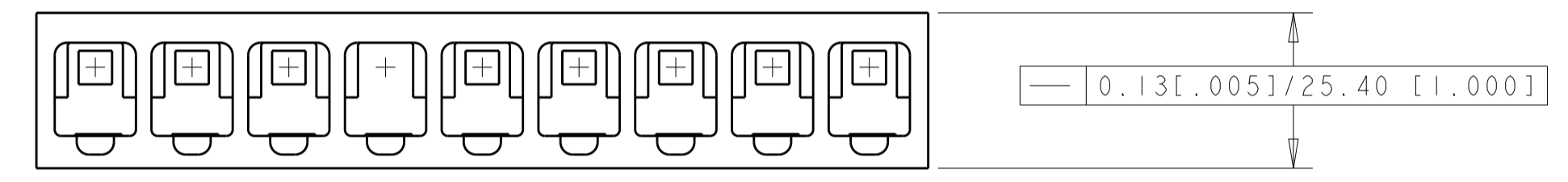


DETAIL A
 SCALE 4:1

- UNIT ACCEPTS 1.14 [.045] SQUARE OR ROUND POST.
- UNIT ACCEPTS STANDARD SL-156 CONTACTS.
- UNIT ACCEPTS KEYING PLUG 640254-1 AND KEYING PIN 640255-1.
- CIRCUIT I.D. NUMBER(S) TO BE LOCATED SEQUENTIALLY AS SHOWN OR ONLY NO. 1 CIRCUIT PLACED ON LOCKING RAMP.
- DIMENSION IN BRACKETS ARE IN INCHES.
- DETAIL A SHOWS CIRCUIT 6 MOLDED CLOSED. EITHER OPTION 1 OR OPTION 2 MAY BE USED.
- ACCEPTS UP TO 2.79 [.110] INSULATION WIRE.



SECTION B-B



3-DIMENSIONAL MODEL
 SCALE 3:1

9	647414-9
NO OF CIRCUITS	PART NUMBER

THIS DRAWING IS A CONTROLLED DOCUMENT.		DWN K. WHITAKER 11-FEB-04	TE Connectivity	
DIMENSIONS: mm [INCHES]		CHK J. ELLIS 11-FEB-04	NAME HOUSING, WITH LOCKING RAMP, SL-156, FOR LARGE WIRE INSULATION, CIRCUIT 6 BLOCKED	
TOLERANCES UNLESS OTHERWISE SPECIFIED:		APVD J. ELLIS 11-FEB-04	PRODUCT SPEC	
0 PLC	±	APPLICATION SPEC		
1 PLC	±	SIZE		
2 PLC	±0.13 [.005]	CAGE CODE		
3 PLC	±	DRAWING NO		
4 PLC	±	RESTRICTED TO		
5 PLC	±	WEIGHT		
6 PLC	±	A100779C=647414		
ANGLES	±40° 30'	CUSTOMER DRAWING		
MATERIAL NATURAL, UL94V-0 NATURAL	FINISH	SCALE 4:1 SHEET 1 OF 1 REV B		

X-ON Electronics

Largest Supplier of Electrical and Electronic Components

Click to view similar products for [Headers & Wire Housings](#) category:

Click to view products by [TE Connectivity](#) manufacturer:

Other Similar products are found below :

[95000-104TRLF](#) [10135584-644402LF](#) [DF62W-EP2022PCA](#) [95000-106TRLF](#) [DF62W-2022SCA](#) [DF62W-EP2022PC](#) [2203348](#) [DF62W-2022SC](#) [1084018](#) [1029039](#) [1084017](#) [802-10-012-10-002000](#) [1112640](#) [1112639](#) [000-34000](#) [0008550134](#) [0009482033](#) [0009507031](#) [57102-F02-18ULF](#) [57102-S06-03LF](#) [57202-S52-04LF](#) [PCN6-15S-2.5E](#) [0039019024](#) [58102-G61-06LF](#) [582553-1](#) [0009485154](#) [0009508121](#) [009176003701906](#) [0022285053](#) [0050291907](#) [018731A](#) [LY20-4P-DT1-P1E-BR](#) [02.125.8002.8](#) [60101931](#) [60598-1 \(Cut Strip\)](#) [M1625-3R/100](#) [61062-3](#) [61082-181009](#) [CSU011177004](#) [636-1427](#) [638009-1](#) [641938-9](#) [641991-4](#) [644168-1](#) [644827-2](#) [647662-1](#) [65039-019ELF](#) [65692-001LF](#) [65781-018](#) [65781-047](#)