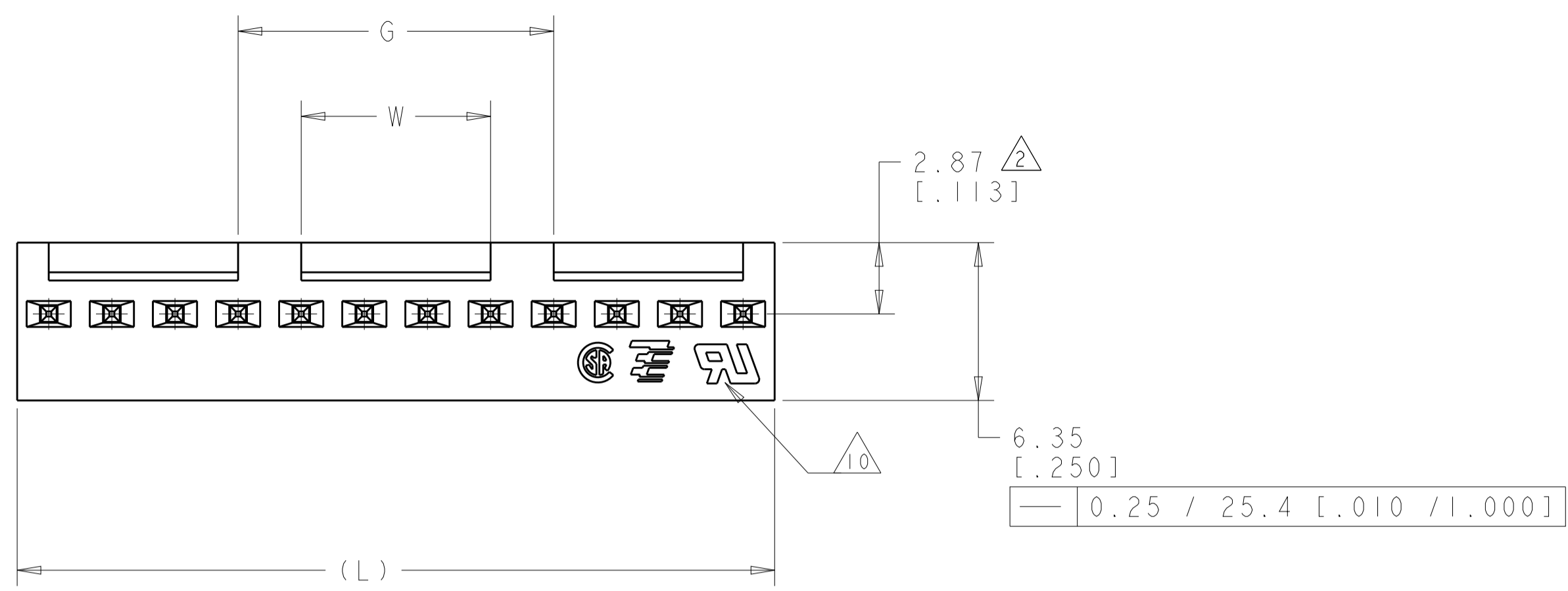
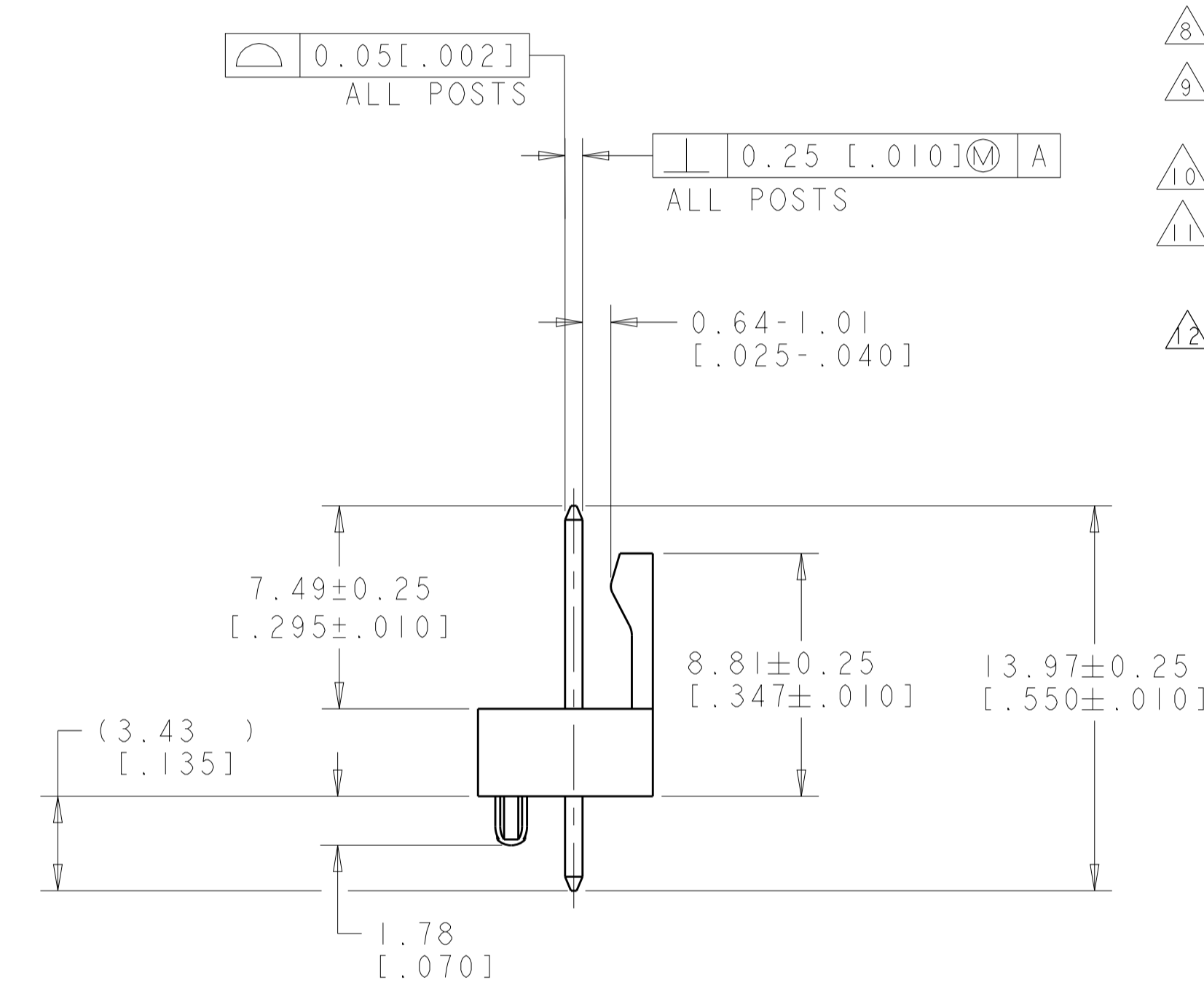
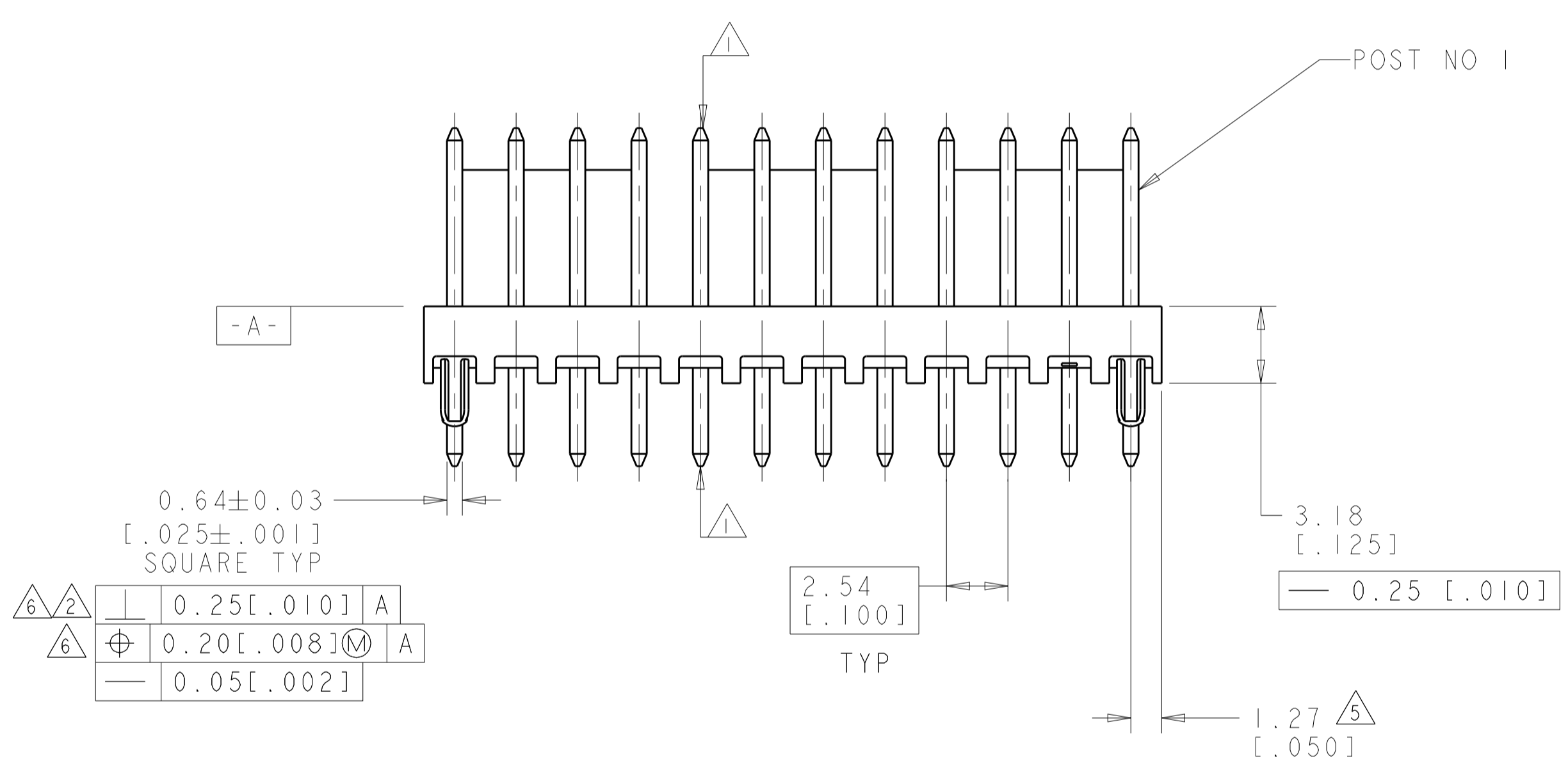


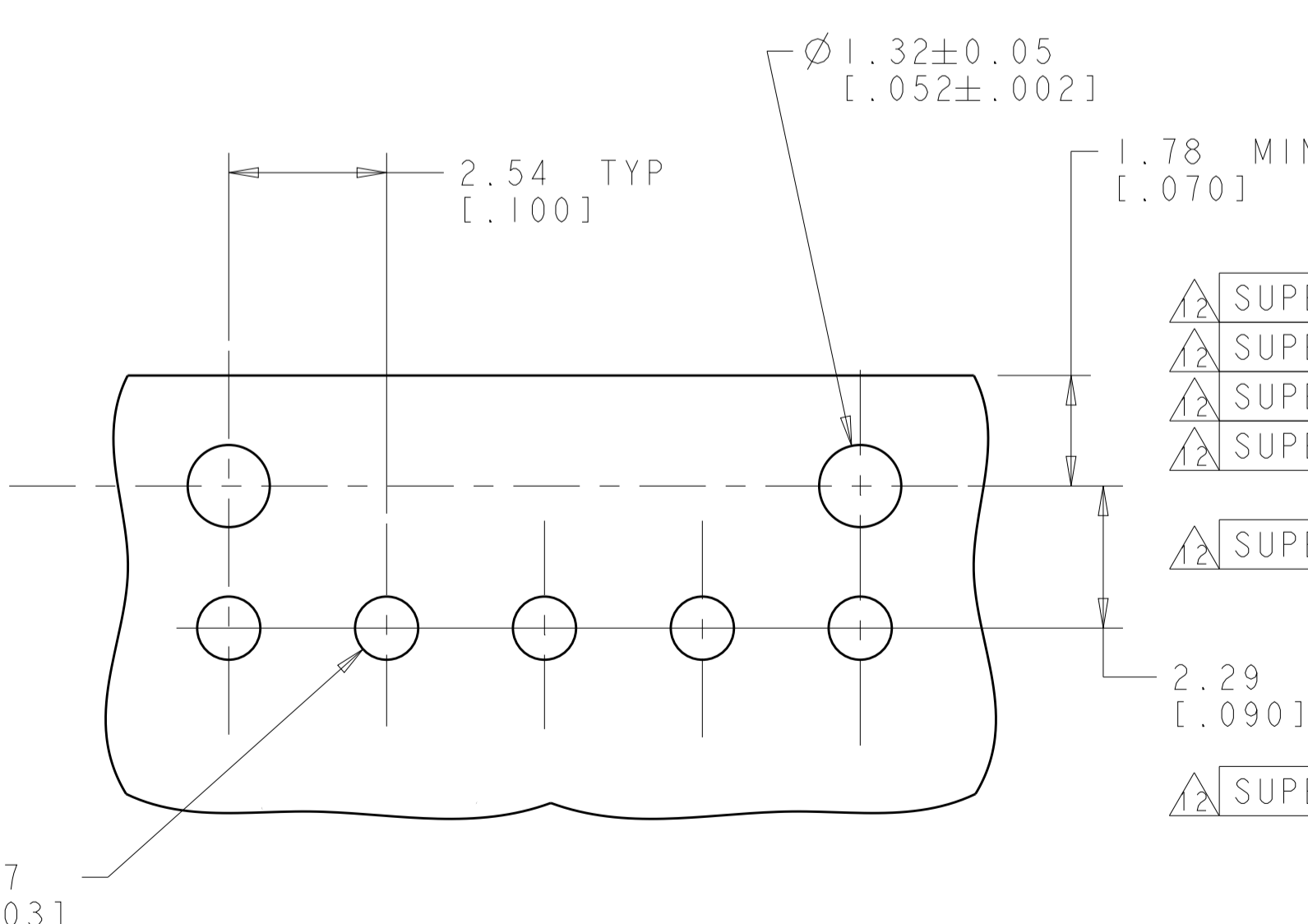
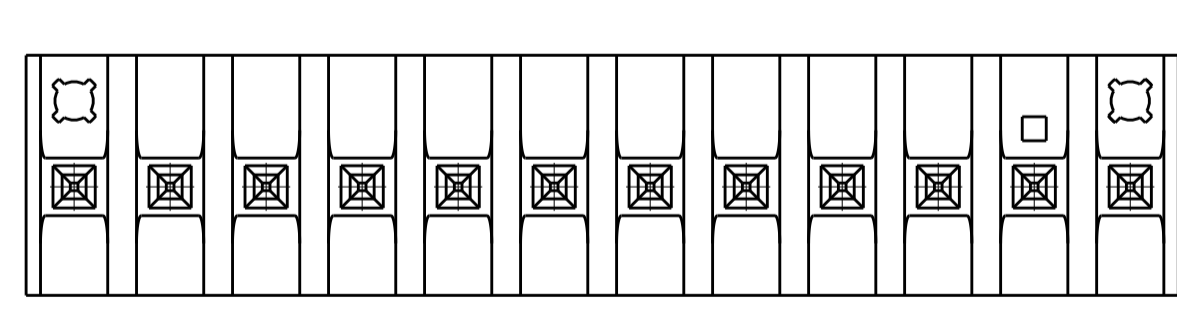
LOC	DIST	REVISIONS			
		REV	DATE	BY	APPV
CM	00	E	REVIS PER ECO-13-008064	13MAY2013	DZ YHM
		E1	REVIS PER ECR-18-004355	19JUN2018	BDA SG
		F	REVIS PER ECR-19-015071	15OCT2019	BDA SW



- 1. POST WITHSTAND 13 NEWTONS (3 LBS) MIN AXIAL FORCE IN DIRECTION SHOWN WITHOUT DISLODGING.
- 2. MEASURED AT -A-.
- 3. PARTS COMPLY WITH SOLDERABILITY SPEC 109-11-2/12.
- 4. MATERIAL: HEADER -PBT GLASS FILLED.  
POST - COPPER ALLOY.  
MATERIAL: -2 THRU -12 (93/7) TIN-LEAD PLATED.  
-32 THRU -42 MATTE 100% TIN PLATED.
- 5. COORDINATE DIMENSION APPLIES FROM CENTER OF ACTUAL FEATURE.
- 6. POSTS TO BE MEASURED WHEN STRIP HELD FLAT.
- 7. DIMENSIONS IN BRACKETS ARE IN INCHES.
- 8. TOLERANCES APPLY TO SOLDER SIDE OF BOARD.
- 9. ONE HOLE MAY BE UNDERSIZED 0.81-0.89 [.032-.035] DIAMETER FOR ASSEMBLY RETENTION DURING PROCESSING.
- 10. TE LOGO, UL, AND CSA TRADEMARKS TO APPEAR ON THIS SURFACE.
- 11. 2 CIRCUIT PARTS HAVE ONE RETENTION PEG, ALL OTHERS HAVE TWO. MOUNTING HOLE PATTERN REFLECTS A PART WITH TWO PEGS.
- 12. OBSOLETE PARTS: OBSOLETE CIS STREAMLINING PER D.RENAUD/D.SINISI



0.64±0.03 [0.025±0.011] SQUARE TYP
0.25 [0.010] A
0.20 [0.008] A
0.05 [0.002]



RECOMMENDED MOUNTING HOLE PATTERN  
FOR 1.57±0.20 [0.062±0.008] THICK P.C. BOARD  
SCALE 10:1

- 1. SUPERCEDED BY 4-647609-2
- 2. SUPERCEDED BY 4-647609-1
- 3. SUPERCEDED BY 4-647609-0
- 4. SUPERCEDED BY 3-647609-9
- 5. SUPERCEDED BY 3-647609-7
- 6. SUPERCEDED BY 3-647609-6
- 7. SUPERCEDED BY 3-647609-5
- 8. SUPERCEDED BY 3-647609-4
- 9. SUPERCEDED BY 3-647609-3
- 10. SUPERCEDED BY 3-647609-2

7.62 [0.300]	12.70 [0.500]	30.48 [1.200]	12	4-647609-2
-	10.16 [0.400]	27.94 [1.100]	11	4-647609-1
-	7.62 [0.300]	25.40 [1.000]	10	4-647609-0
-	5.08 [0.200]	22.86 [0.900]	9	3-647609-9
-	2.54 [0.100]	20.32 [0.800]	8	3-647609-8
-	-	17.78 [0.700]	7	3-647609-7
-	-	15.24 [0.600]	6	3-647609-6
-	-	12.70 [0.500]	5	3-647609-5
-	-	10.16 [0.400]	4	3-647609-4
-	-	7.62 [0.300]	3	3-647609-3
-	-	5.08 [0.200]	2	3-647609-2
7.62 [0.300]	12.70 [0.500]	30.48 [1.200]	12	1-647609-2
-	10.16 [0.400]	27.94 [1.100]	11	1-647609-1
-	7.62 [0.300]	25.40 [1.000]	10	1-647609-0
-	5.08 [0.200]	22.86 [0.900]	9	647609-9
-	2.54 [0.100]	20.32 [0.800]	8	647609-8
-	-	17.78 [0.700]	7	647609-7
-	-	15.24 [0.600]	6	647609-6
-	-	12.70 [0.500]	5	647609-5
-	-	10.16 [0.400]	4	647609-4
-	-	7.62 [0.300]	3	647609-3
-	-	5.08 [0.200]	2	647609-2
W	G	L	NO OF POSN	PART NO

THIS DRAWING IS A CONTROLLED DOCUMENT. DWG: H. WHITAKER 27AUG2002  
CHK: D. BOSSI 27AUG2002  
APPV: D. BOSSI 27AUG2002

**STE** TE Connectivity

NAME: MTA-100 HEADER ASSY, FRICTION LOCK, .025 SQUARE, STRAIGHT POST, TIN PLATED

PRODUCT SPEC: APPLICATION SPEC: SIZE: CAGE CODE: DRAWING NO: RESTRICTED TO: A100779C=647609

MATERIAL: FINISH: WEIGHT: CUSTOMER DRAWING SCALE: 5:1 SHEET 1 OF 1 REV F

## X-ON Electronics

Largest Supplier of Electrical and Electronic Components

*Click to view similar products for te connectivity manufacturer:*

Other Similar products are found below :

[570416-000](#) [CLTEQ-M81CE-SSRELAY-4-20V](#) [D38999/24FJ4AN](#) [358838-000](#) [4-1195131-0](#) [650069-000](#) [SMD100-2](#) [CB-1022B-78](#)  
[RM707012](#) [RP410012](#) [MMS42](#) [1-640426-8](#) [2EDL4CM](#) [DTS20W19-11PD-3028-LC](#) [RM202615](#) [NC6-P104-06](#) [MSPS103B](#) [DTS26F21-41AE](#) [DTS26F21-41PE-LC](#) [DTS26F21-11SE-3028-LC](#) [1932144-1](#) [293545-4](#) [LVR125S](#) [MS27466T25F4PB](#) [CKB-38-78010](#)  
[1206SFF150F/63-2](#) [D38999/20JB35HA](#) [D38999/24WJ20PA](#) [1754138-1](#) [TE1500A2R2J](#) [DTS24F25-29PC-3028-LC](#) [D38999/24WG11HA](#)  
[D38999/24WG11HN](#) [MS27467T21F11H](#) [DJT16E21-11HA](#) [1206SFH150F/24-2](#) [DTS24F19-11SC-3028-LC](#) [DTS24F21-41HN-LC](#)  
[DTS24F21-41AN](#) [DTS24F21-41PN-LC](#) [RP330024](#) [MS27467T21F35J](#) [MS27467T21F11J](#) [MS27467T21F16H-LC](#) [MS27467T21F35H](#)  
[MS27467T21F41H-LC](#) [DJT16E21-11PA-LC](#) [DJT16E21-11HA-LC](#) [DJT16E21-11AA](#) [MS27467T21B11JA](#)