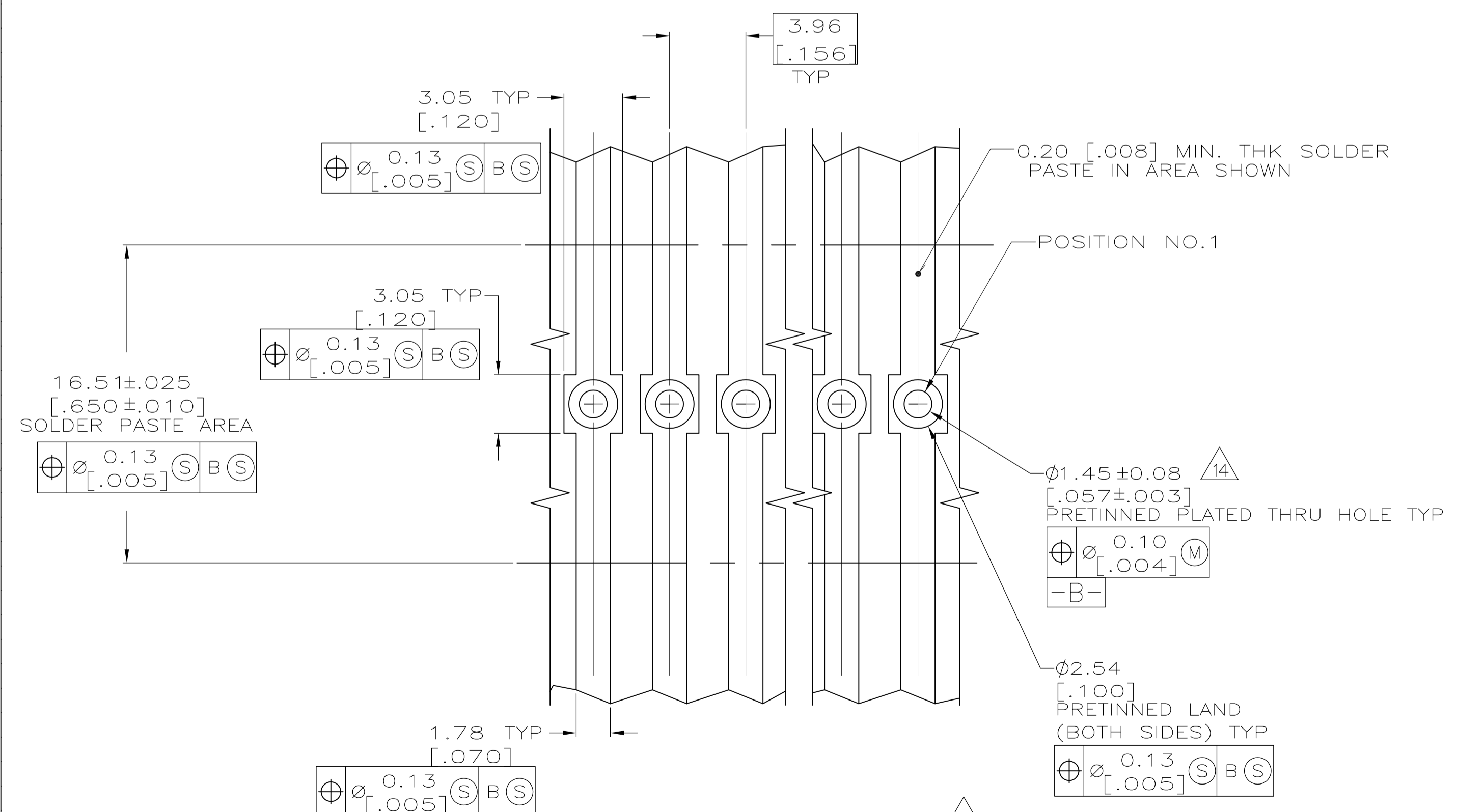
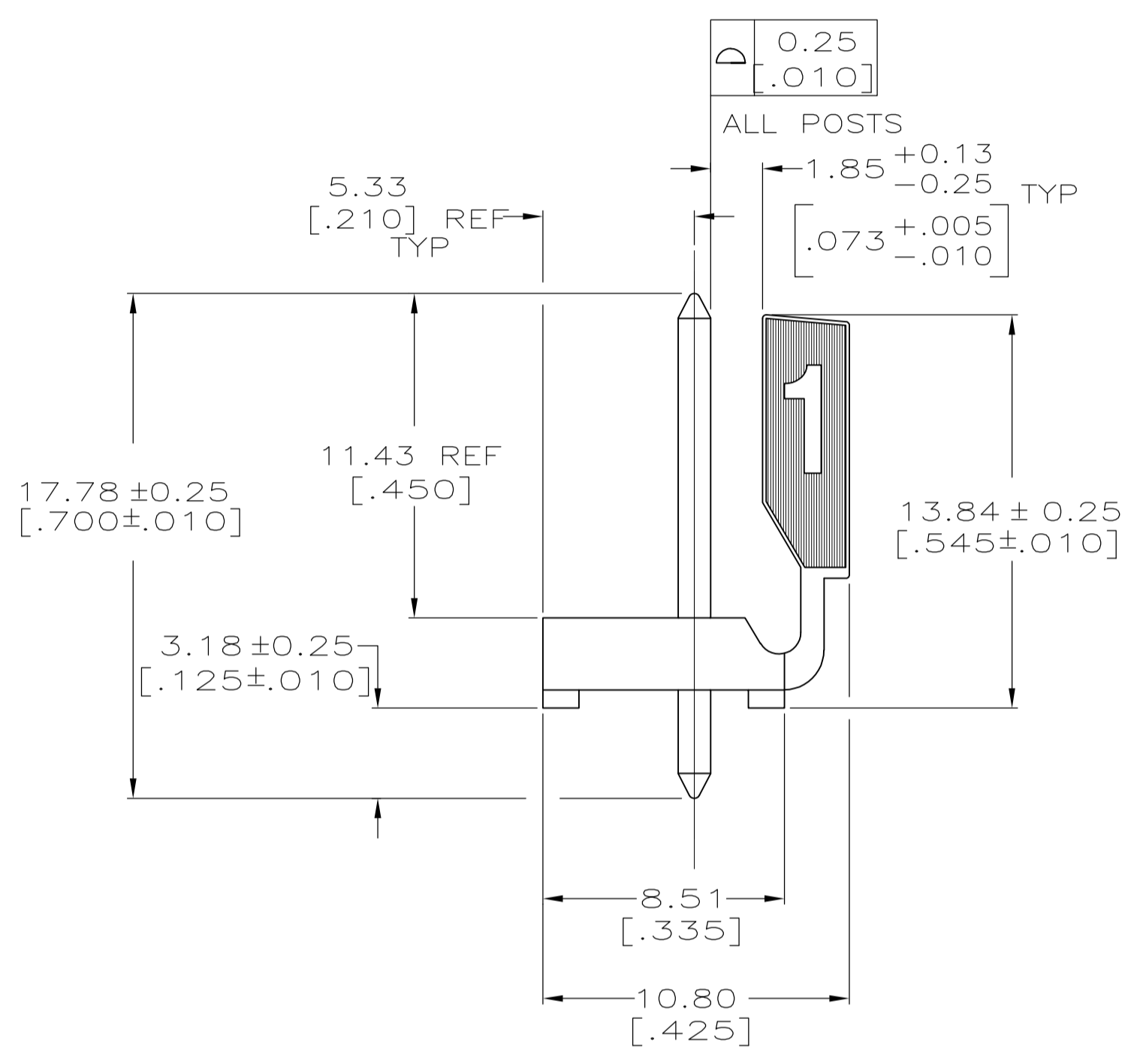
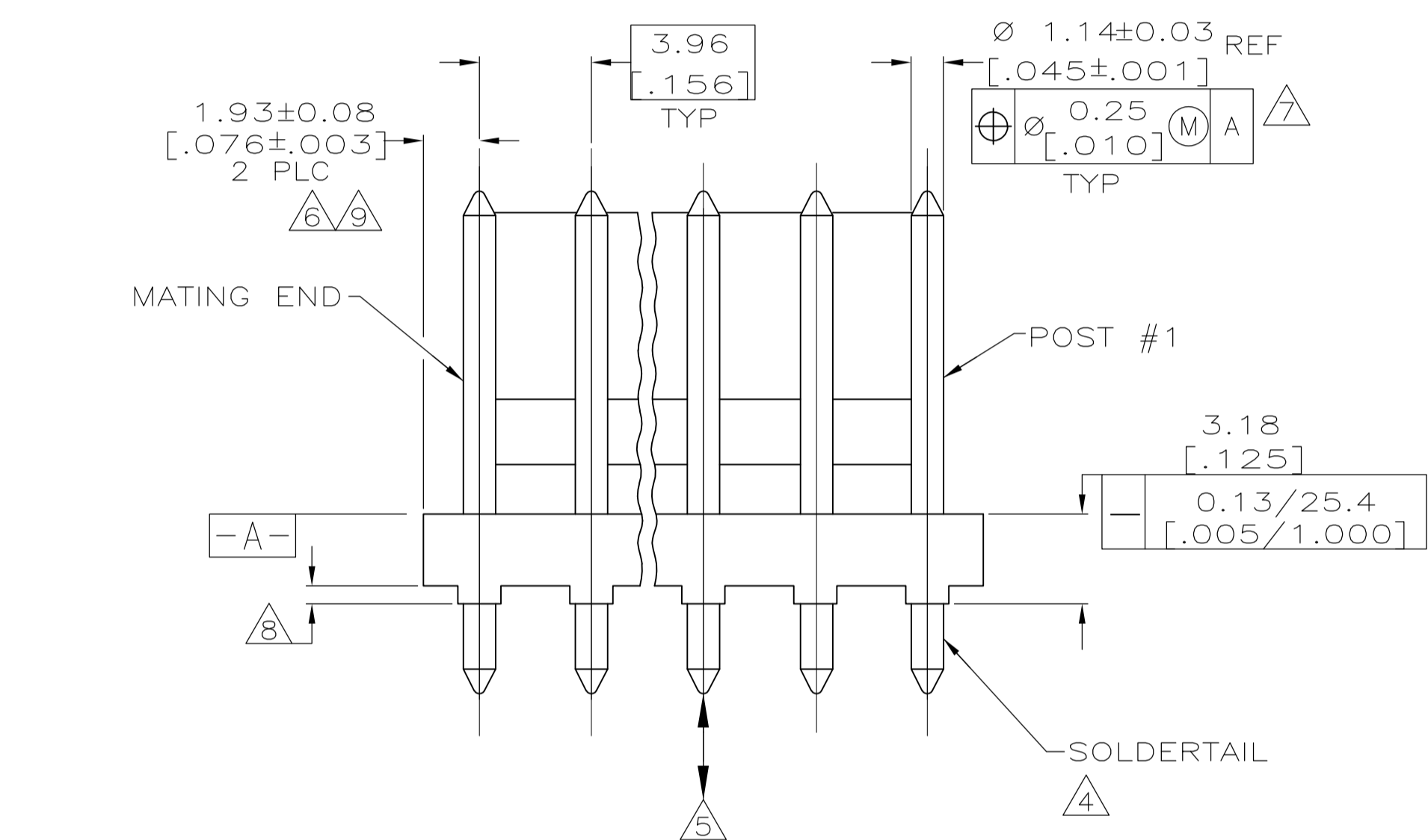


- 1 MATERIAL
HOUSING: POLYAMIDE NYLON,UL94V-0.
POST: COPPER ALLOY
- 2 FINISH
HOUSING: BLACK
POST: BRIGHT TIN-LEAD (93/7) PLATE, FOR -2 THRU -12 OR MATTE TIN FOR -32 THRU -42 0.00380-0.00880[.000150-.000350] THK OVER NICKEL UNDERPLATE,0.00130[.000050] MIN THK.
- 3 UL MARKING MAY NOT APPEAR ON THE 2 OR 3 POSITION SIZES. CSA MARKING MAY NOT APPEAR ON THE 2 POSITION SIZE.
- 4 POST SOLDERDETAILS COMPLY WITH AMP SOLDERABILITY SPEC 109-11-2.
- 5 POST WITHSTANDS 13.34N [3 LB] MIN AXIAL FORCE IN EITHER DIRECTION WITHOUT DISLODGING.
- 6 APPLIES AT -A-.
- 7 APPLIES WHEN THE HEADER IS STRAIGHT.
- 8 PLASTIC PROJECTIONS PERMITTED IN THIS ZONE.
- 9 COORDINATE DIMENSIONS APPLIES FROM THE CENTER OF THE ACTUAL FEATURE.
- 10 DIMENSION APPLY TO COMPONENT SIDE OF BOARD UNLESS OTHERWISE NOTED.
- 11. DIMENSIONS IN BRACKETS ARE IN INCHES.
- 12 ALL POSITION SIZES HAVE THE BACKWALL NOTCHED ON BOTH ENDS AS SHOWN. THE 2 THRU 5 POSITION SIZES HAVE SOLID BACKWALLS. POSITION SIZES 6 AND ABOVE HAVE AN INTERRUPTED BACKWALL AT VARIOUS LOCATIONS (SEE TABLE FOR INTERRUPTION(S) LOCATIONS).
- 13 EDGE OF POLARIZING LOCK WALL TO BE IN LINE WITH CENTERLINE OF ADJACENT POST WITHIN ±0.13 [.005].
- 14 ONE HOLE MAY BE UNDERSIZED (1.17-1.3 [.046-.051]) FOR BOARD RETENTION.
- 15. MAXIMUM TEMPERATURE EXPOSURE DURING REFLOW SOLDERING NOT TO EXCEED 280° C (536° F).
- 16 OBSOLETE PARTS: OBSOLETE CIS STREAMLINING PER D.RENAUD/D.SINISI

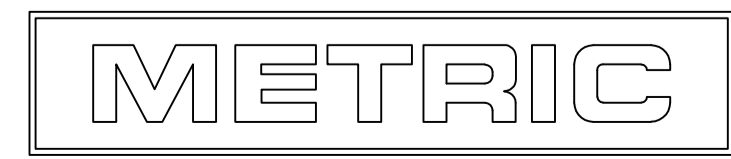


RECOMMENDED MOUNTING HOLE PATTERN FOR 1.63±0.15 [.063±.006] THK PRINTED CIRCUIT BOARD

4&5, 8&9	47.42 [1.867]	12	4-647648-2
4&5, 7&8	43.46 [1.711]	11	4-647648-1
3&4, 7&8	39.50 [1.555]	10	4-647648-0
3&4, 6&7	35.53 [1.399]	9	3-647648-9
4&5	31.57 [1.243]	8	3-647648-8
4&5	27.61 [1.087]	7	3-647648-7
3&4	23.65 [.931]	6	3-647648-6
NONE	19.69 [.775]	5	3-647648-5
NONE	15.72 [.619]	4	3-647648-4
NONE	11.76 [.463]	3	3-647648-3
NONE	7.80 [.307]	2	3-647648-2

16	SUPERSEDED BY 4-647648-2	4&5, 8&9	47.42 [1.867]	12	-1-647648-2-
17	SUPERSEDED BY 4-647648-1	4&5, 7&8	43.46 [1.711]	11	-1-647648-1-
18	SUPERSEDED BY 4-647648-0	3&4, 7&8	39.50 [1.555]	10	-1-647648-0-
19	SUPERSEDED BY 3-647648-9	3&4, 6&7	35.53 [1.399]	9	-647648-9-
		4&5	31.57 [1.243]	8	647648-8
		4&5	27.61 [1.087]	7	647648-7
20	SUPERSEDED BY 3-647648-6	3&4	23.65 [.931]	6	-647648-6-
21	SUPERSEDED BY 3-647648-5	NONE	19.69 [.775]	5	-647648-5-
		NONE	15.72 [.619]	4	647648-4
22	SUPERSEDED BY 3-647648-3	NONE	11.76 [.463]	3	-647648-3-
		NONE		2	647648-2

THIS DRAWING IS A CONTROLLED DOCUMENT.		DIN K. WHITAKER 21JUN2005		TE Connectivity	
DIMENSIONS: mm [INCHES]		CHK D. ROSSI 21JUN2005		NAME	
TOLERANCES UNLESS OTHERWISE SPECIFIED:		APVD D. ROSSI 21JUN2005		PRODUCT SPEC	
0 PLC	±	APPLICATION SPEC		SIZE	
1 PLC	±	WEIGHT		SCALE	
2 PLC	± 0.13[.005]	CUSTOMER DRAWING		SHEET	
3 PLC	±	SCALE 5:1		REV	
4 PLC	±	SHEET 1 of 1		REV A2	
ANGLES	± 1°	DRAWING NO. A1 00779		PART NO. 647648	
MATERIAL		DRAWING NO. A1 00779		PART NO. 647648	
FINISH		SCALE 5:1		SHEET 1 of 1	
		CUSTOMER DRAWING		REV A2	



X-ON Electronics

Largest Supplier of Electrical and Electronic Components

Click to view similar products for [TE Connectivity](#) manufacturer:

Other Similar products are found below :

[D38999/24FJ4AN](#) [570416-000](#) [CLTEQ-M81CE-SSRELAY-4-20V](#) [4-1195131-0](#) [650069-000](#) [SMD100-2](#) [358838-000](#) [CB-1022B-78](#)
[RM707012](#) [RP410012](#) [MMS42](#) [1-640426-8](#) [2EDL4CM](#) [DTS20W19-11PD-3028-LC](#) [RM202615](#) [NC6-P104-06](#) [MSPS103B](#) [DTS26F21-](#)
[41HE-LC](#) [DTS26F21-41AE](#) [DTS26F21-41PE-LC](#) [DTS26F21-11SE-3028-LC](#) [30DCB6](#) [1932144-1](#) [293545-4](#) [LVR125S](#) [MS27466T25F4PB](#)
[CKB-38-78010](#) [TR04AI-TINELLOCKRING](#) [1206SFF150F/63-2](#) [D38999/20JB35HA](#) [TE1500A2R2J](#) [D38999/20WC8BB](#) [DTS24F19-11SC-](#)
[3028-LC](#) [D38999/24WG11HA](#) [D38999/24WG11HN](#) [MS27467T21F11H](#) [DJT16E21-11HA](#) [MS27467T21F35J](#) [MS27467T21F11J](#)
[MS27467T21F16H-LC](#) [MS27467T21F35H](#) [MS27467T21F41H-LC](#) [1206SFH150F/24-2](#) [RP330024](#) [DJT16E21-11PA-LC](#) [DJT16E21-11HA-](#)
[LC](#) [DJT16E21-11AA](#) [MS27467T21B11JA](#) [DJT16E21-11JA](#) [MS27467T21B11JA-LC](#)