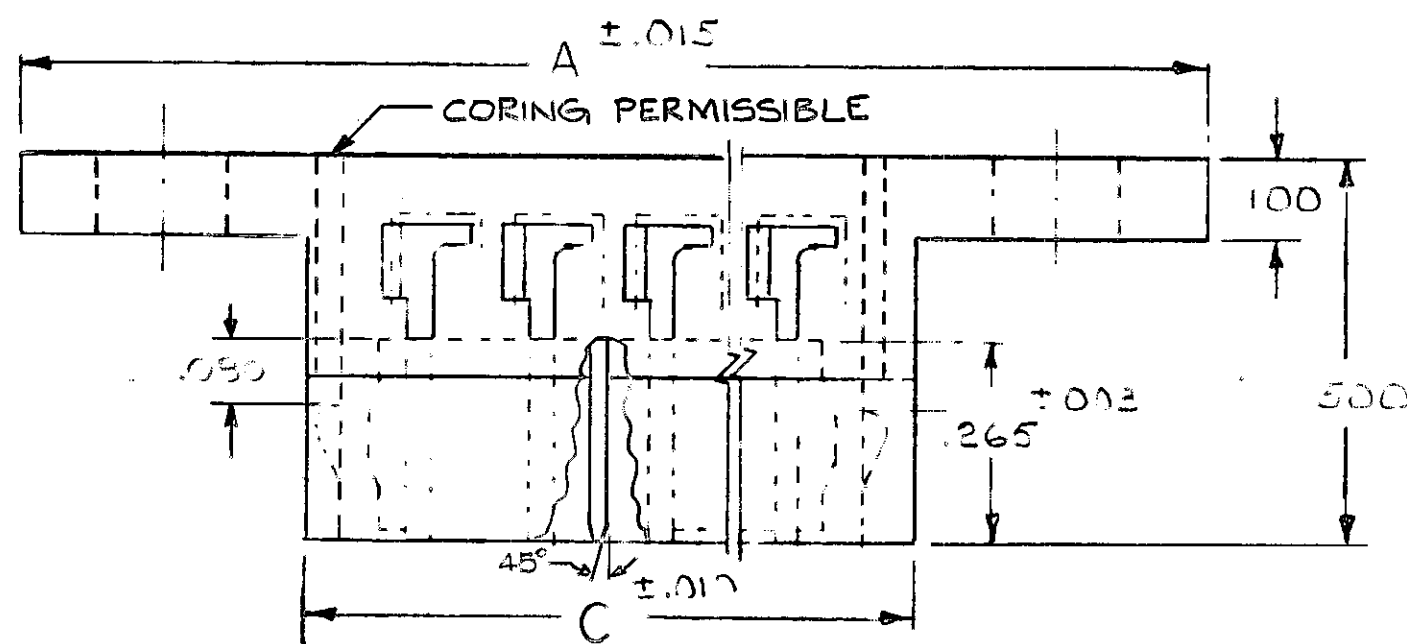


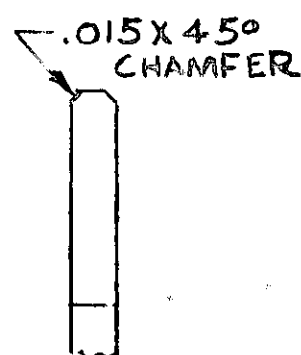
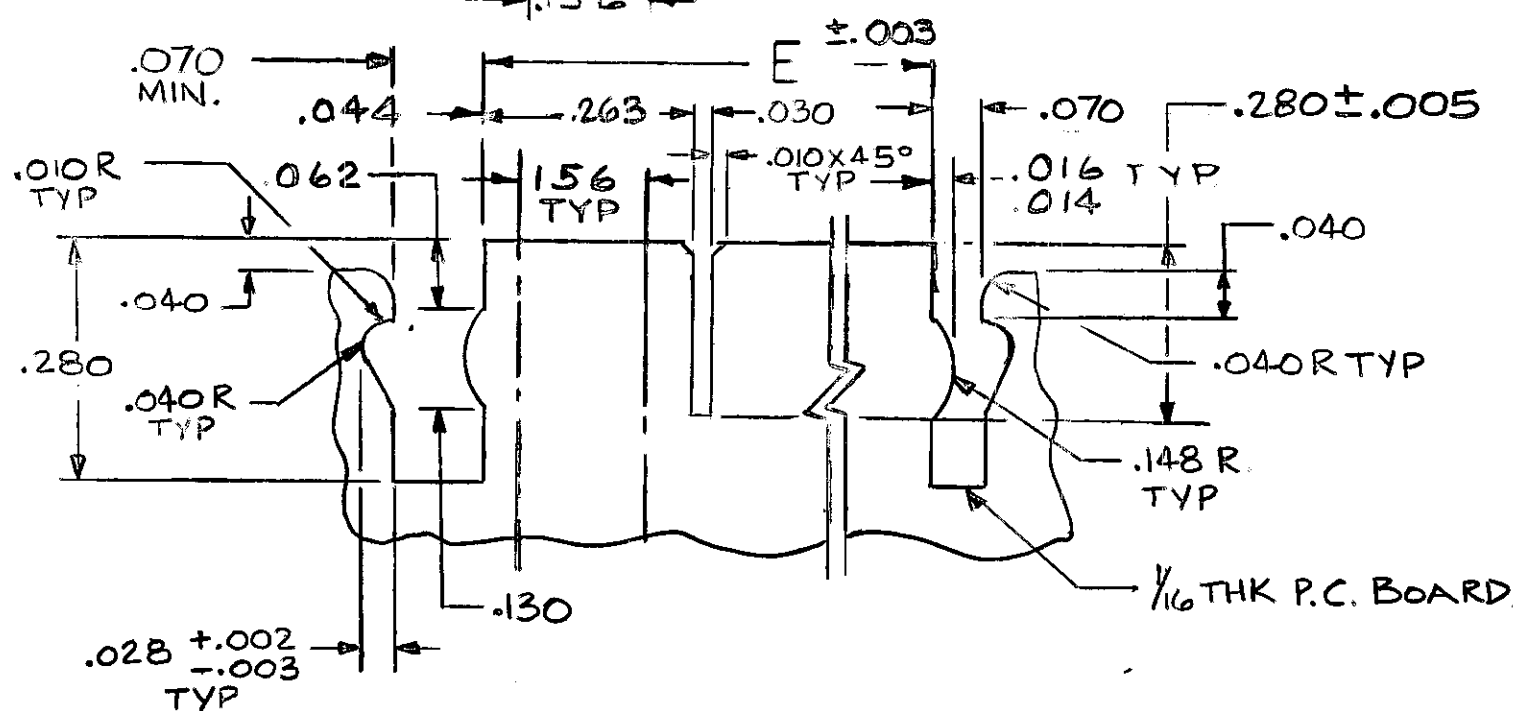
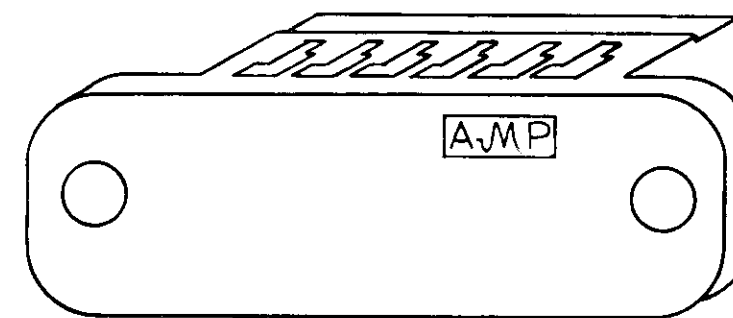
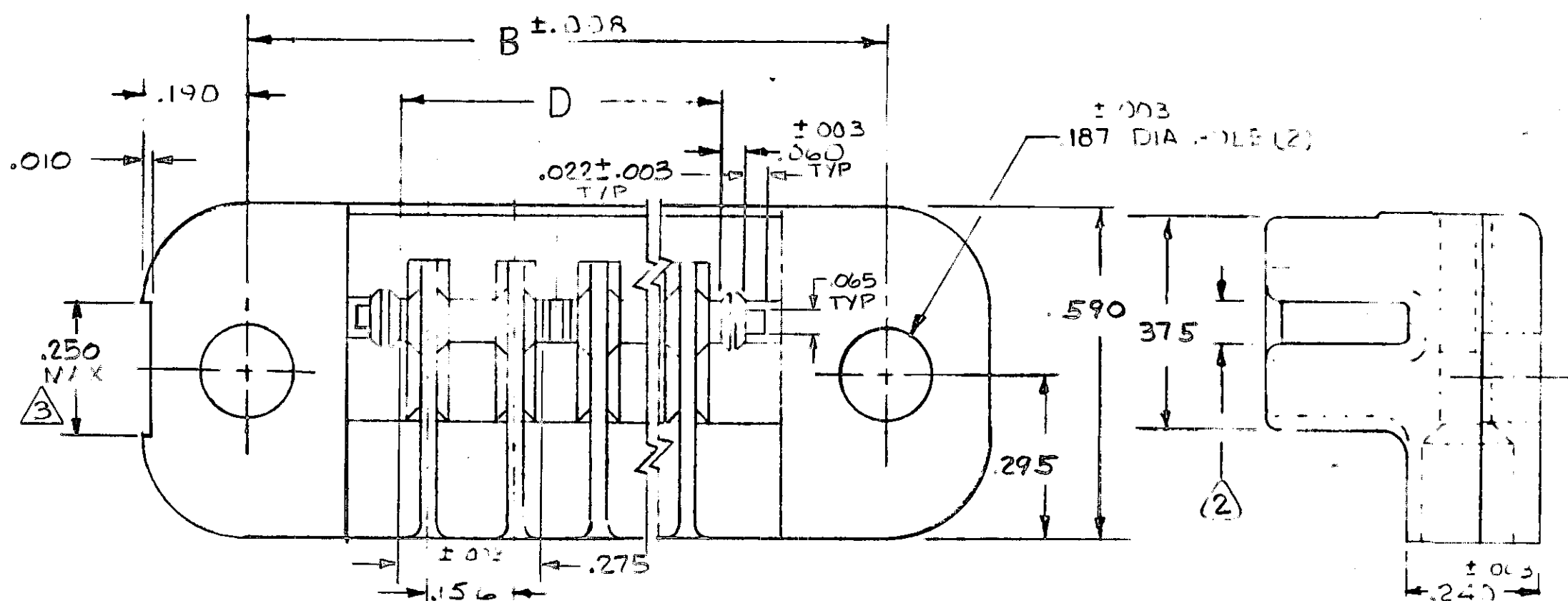
© COPYRIGHT 19 BY AMP INCORPORATED, HARRISBURG, PA.  
ALL INTERNATIONAL RIGHTS RESERVED. AMP INCORPORATED PRODUCTS  
COVERED BY U. S. AND FOREIGN PATENTS AND OR PATENTS PENDING.

Unpublished copy not to be reproduced without written permission of AMP

REVISIONS					
REV	ZONE	LTR	DESCRIPTION	DATE	APPROVED
✓		O	REL-1 PER 87-5125-101-02	9-5-85	HWK
✓		A	REV PER AD 1753	12-8-87	LEW
✓		B	REV PER AD 2044	12-8-87	LEW
✓		C	REV PER 0010-0551-94	6-9-71	HWK
✓		D	REV PER 0010-1143-95	11-95	PB




1 CARD EDGE AND MOUNTING HOLE DIMENSIONS TO BE CHECKED WITH HOUSING RESTRAINED AS MOUNTED  
 2 FIT FOR .055- .070 P.C. BOARD  
 3 SLOT OPTIMIZED FIT FOR MOUNTING EAR



BOARD LAY OUT

1.337	1.350	1.560	1.940	2.320	9	650048-1
F	D	C	B	A	NO. OF POS	PART NO

UNLESS OTHERWISE SPECIFIED DIMENSIONS ARE IN INCHES TOLERANCES ON: DECIMALS .005 ANGLES	CONTRACT NO	 AMP INCORPORATED Harrisburg Pa	
	DR <i>L. Wachman</i> 5/01/87 CHK <i>Howard W. Dore</i> 5/18/87 APPD <i>Howard W. Dore</i> 5/18/87 APPD		NAME
	MATERIAL NYLON		HOUSING, DUO-TYNE FLAG WITH MOUNTING EARS.
	FINISH		SIZE CODE IDENT NO DRAWING NO <b>C 00779 650048</b>
OTHER APPD		SCALE 1-1	
		SHEET	

## X-ON Electronics

Largest Supplier of Electrical and Electronic Components

*Click to view similar products for [Headers & Wire Housings](#) category:*

*Click to view products by [TE Connectivity](#) manufacturer:*

Other Similar products are found below :

[892-18-020-10-001101](#) [58102-G61-06LF](#) [582553-1](#) [0009485154](#) [009176003701906](#) [0050291907](#) [LY20-4P-DT1-P1E-BR](#) [02.125.8002.8](#)  
[609-3404](#) [61062-3](#) [61082-181009](#) [622-3653LF](#) [63453-116](#) [636-1030](#) [636-1427](#) [636-3427](#) [636-4007](#) [641938-9](#) [641991-4](#) [644827-2](#) [65817-](#)  
[010LF](#) [65817-015LF](#) [65863-015LF](#) [66207-023LF](#) [67095-007LF](#) [67601157](#) [68645-018](#) [68648-049](#) [70.362.1628.0](#) [70-4210](#) [70-4226B](#) [70-](#)  
[4853B](#) [707-5020](#) [707-5028](#) [71.350.2428.0](#) [71918-208LF](#) [71961-016LF](#) [733-134](#) [733-162](#) [754199-000](#) [760-3052](#) [787-8014-00](#) [79531-3000](#)  
[FCN-360C032-B](#) [FCN-367T-T012/H](#) [FCN-723D010/2](#) [80.063.4001.1](#) [800-90-001-10-001000](#) [800-90-010-10-002000](#) [801-43-002-10-013000](#)