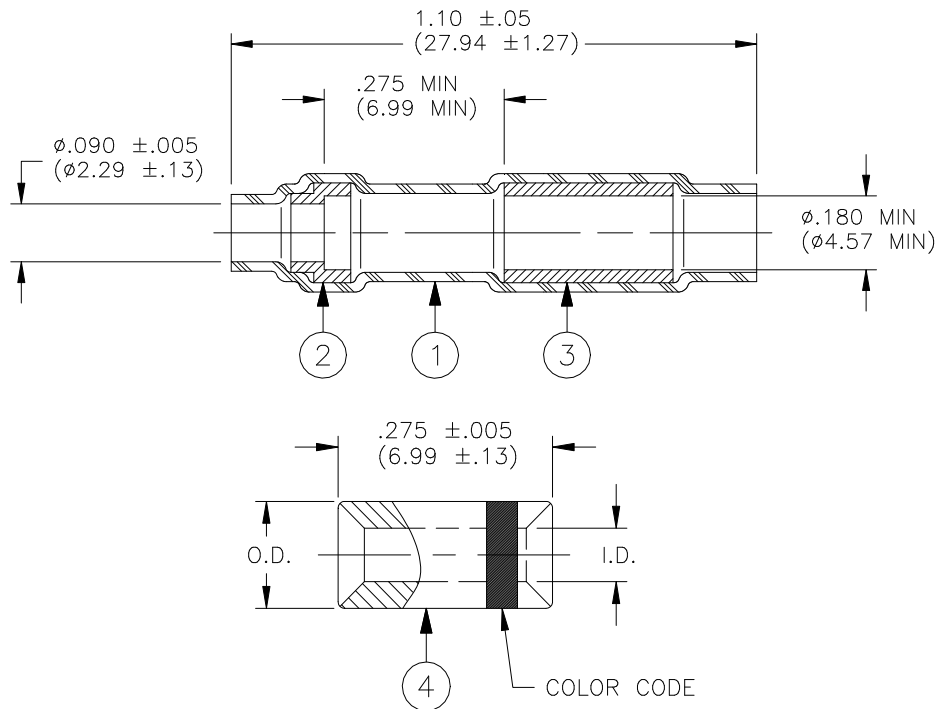


CUSTOMER DRAWING




Dimensions Of Sub Splicer				I.D.		O.D.	
Product Name	Color Code	Max. Weight	CMA Range	min	max	min	max
D-436-58	Blue	1.4 lbs/Mpcs	1058-2680	1.63 (0.064)	1.75 (0.069)	2.57 (0.101)	2.69 (0.106)
D-436-59	Yellow	1.8 lbs/Mpcs	2375-6755	2.46 (0.097)	2.59 (0.102)	3.73 (0.147)	3.89 (0.153)

MATERIAL

1. INSULATION SLEEVE: Heat-shrinkable, radiation cross-linked modified polyvinylidene fluoride. Transparent blue.
2. MELTABLE SEALING INSERT: Modified, immersion resistant thermoplastic. Color: natural.
3. MELTABLE SEALING INSERT: Modified, immersion resistant thermoplastic. Color: natural.
4. SEAMLESS STUB SPLICER:
 BASE METAL: Copper alloy 101 or 102 per WW-T-775.
 PLATING: Tin per MIL-T-10727, Type 1.

APPLICATION

1. These parts are designed to provide an immersion resistant 2 wire stub splice, or a 2 to 1 parallel splice, made with having insulations rated for 135°C minimum.
2. Recovered dimensions of insulation sleeve (Item1):
 I.D.: .095 (2.4130) Max.
 Wall: .013 (0.3302) Min.
3. For installation procedures refer to Tyco Electronics/Raychem's "Miniseal D-436 Series Sealed Crimp Splice Products Installation Guidelines."

			TITLE: STUB SPLICE SEALING SYSTEM			
Unless otherwise specified dimensions are in millimeters. [Inches dimensions are shown in brackets]		Raychem Devices		DOCUMENT NO.: D-436-58/-59		
TOLERANCES: 0.00 N/A 0.0 N/A 0 N/A	ANGLES: N/A ROUGHNESS IN MICRON	Tyco Electronics reserves the right to amend this drawing at any time. Users should evaluate the suitability of the product for their application.		REV: J1	DATE: June 14, 2018	
REVISED BY: UNGUYEN	CAGE CODE: 06090	ECO NUMBER: ECO-18-009289		SCALE: NTS	SIZE: A	SHEET: 1 of 1

© 2004-2018 TE Connectivity Corporation. All rights reserved.

If this document is printed it becomes uncontrolled. Check for the latest revision.

X-ON Electronics

Largest Supplier of Electrical and Electronic Components

Click to view similar products for [Solder Sleeves & Shield Tubing](#) category:

Click to view products by [TE Connectivity](#) manufacturer:

Other Similar products are found below :

[D-260-C-A](#) [899170-000](#) [620040N001](#) [620069N003](#) [620263N004](#) [CTA-0050-01](#) [629624-000](#) [6501390002](#) [CX0781-000](#) [CX0782-000](#)
[696396-000](#) [697080-000](#) [715325N001](#) [FLX40-030-02-CS8652](#) [908357N001](#) [D-436-38CS2908](#) [274384-000](#) [285343-000](#) [970053-000](#) [ST18-](#)
[2-00](#) [FLX40-020-04-CS8651](#) [317035-000](#) [325534-000](#) [D-100-00-WOTI](#) [D-150-1011](#) [395947-000](#) [427243N001](#) [514535-000](#) [C03534-000](#)
[CB0220-000](#) [D44133N001](#) [626168-000](#) [451893-000](#) [931289-000](#) [162583-000](#) [585769N001](#) [610001N004](#) [6200060004](#) [622041N003](#)
[626167-000](#) [EG3678-000](#) [650075N002](#) [6500820003](#) [6500850004](#) [650126N010](#) [650127N005](#) [146201-000](#) [7400720001](#) [CA3200N001](#) [82-A2](#)