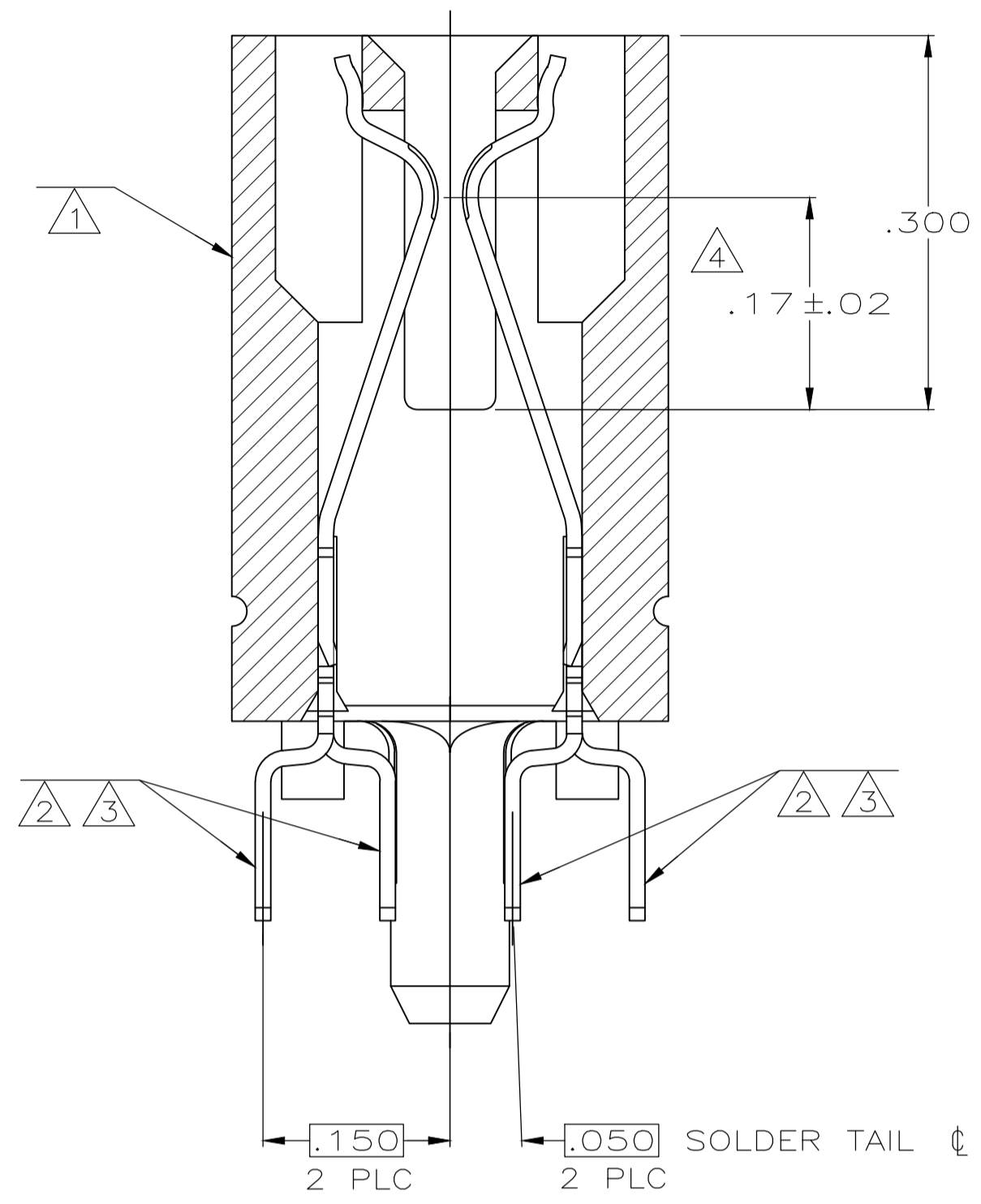
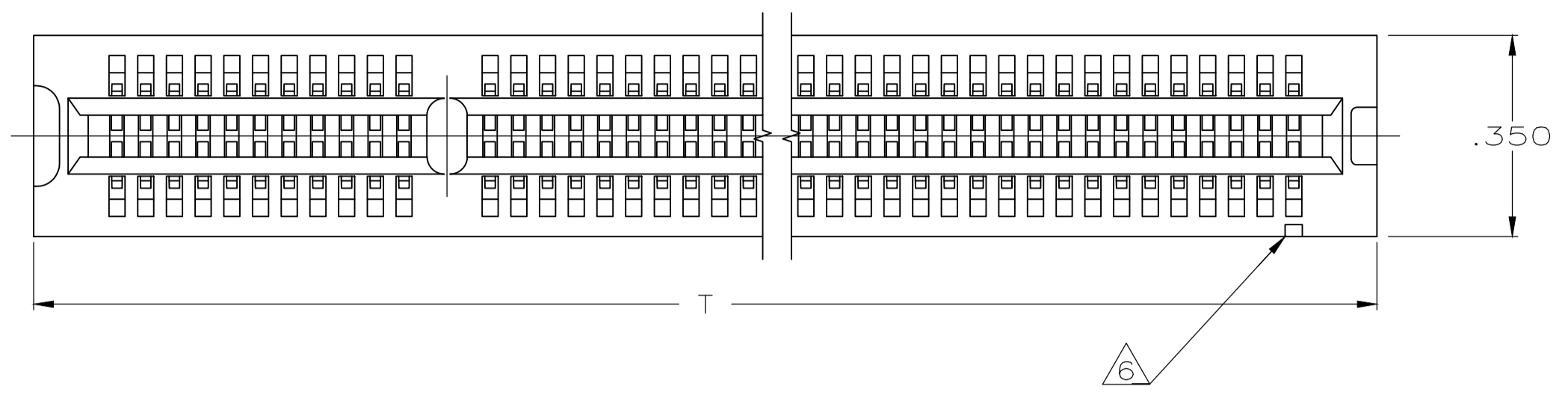
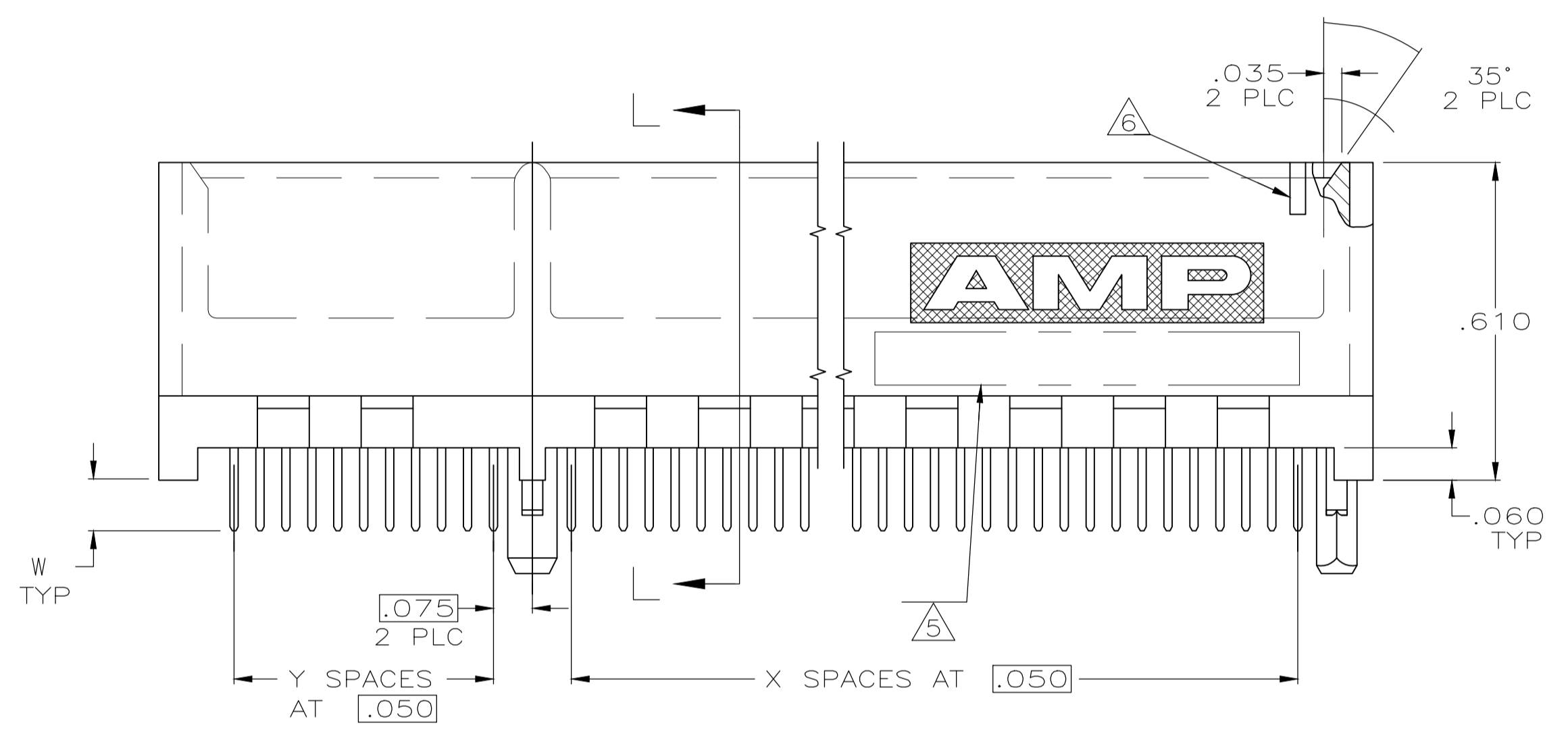


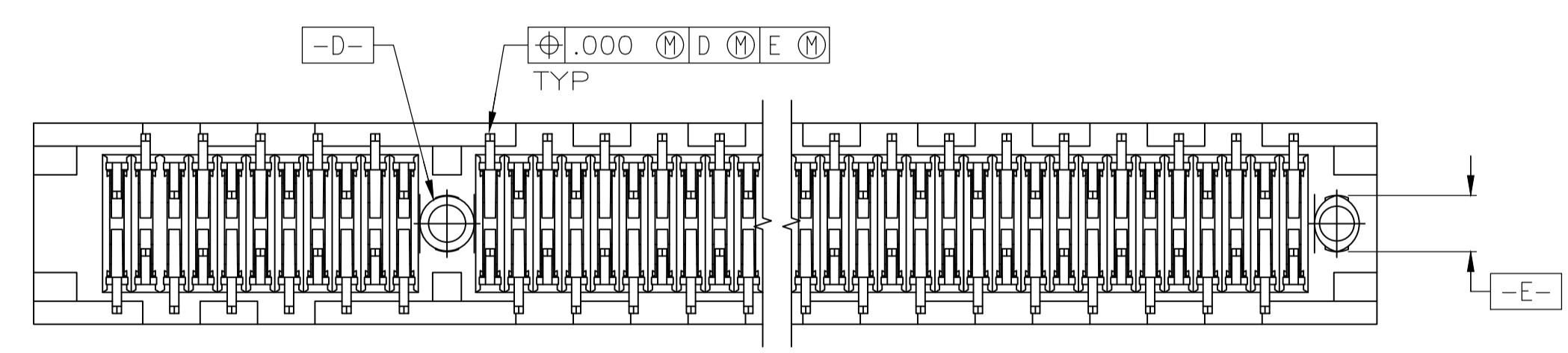
| REVISIONS | | | | | |
|-----------|---------------|-------------|-----------|-----|------|
| P | LTR | DESCRIPTION | DATE | DMN | APVD |
| AB | ECR-12-021893 | | 29MAR2018 | FL | HL |



- 1 HOUSING: HIGH TEMPERATURE THERMOPLASTIC. COLOR: BROWN.
- 2 CONTACT: PHOSPHOR BRONZE.
- 3 CONTACT FINISH: .000100 MIN NICKEL ALL OVER, .000030 MIN GOLD OVER NICKEL IN CONTACT AREA, .000100 MIN TIN-LEAD OVER NICKEL ON SOLDER TAILS.
- 4 DISTANCE FROM CONTACT POINT TO BOTTOM OF CARD SLOT.
- 5 AMP PART NUMBER, DATE CODE AND CSA LOGO MARKED IN APPROXIMATE AREA SHOWN.
- 6 PIN ONE IDENTIFIER NOTCH ONLY ON PART NUMBERS INDICATED.
- 7 OBSOLETE PARTS: OBSOLETE CIS STREAMLINING PER D.RENAUD/D.SINISI



SECTION L-L
SCALE 8:1



SEE SHEET 2 FOR HOLE PATTERNS

| | | | | | | | | | | | |
|----------|------|-----|---|-------|-------|------|-------|----|----|----|------------|
| OBSOLETE | .125 | NO | B | 1.800 | 1.760 | 2.59 | .610 | 10 | 33 | 45 | 1-650090-4 |
| OBSOLETE | .140 | NO | B | 1.800 | 1.760 | 2.59 | .610 | 10 | 33 | 45 | 1-650090-3 |
| OBSOLETE | .140 | NO | A | 1.050 | 1.010 | 1.84 | .610 | 10 | 18 | 30 | 1-650090-2 |
| OBSOLETE | .140 | NO | C | 2.200 | 2.160 | 4.34 | 1.960 | 37 | 41 | 80 | 1-650090-1 |
| OBSOLETE | .100 | NO | B | 2.100 | 2.060 | 4.59 | 2.310 | 44 | 39 | 85 | 1-650090-0 |
| OBSOLETE | .100 | NO | C | 2.200 | 2.160 | 4.34 | 1.960 | 37 | 41 | 80 | 650090-9 |
| OBSOLETE | .125 | YES | A | 2.350 | 2.310 | 3.14 | .610 | 10 | 44 | 56 | 650090-8 |
| OBSOLETE | .100 | NO | B | .700 | .660 | 1.49 | .610 | 10 | 11 | 23 | 650090-7 |
| OBSOLETE | .100 | NO | A | 1.050 | 1.010 | 1.84 | .610 | 10 | 18 | 30 | 650090-6 |
| OBSOLETE | .100 | NO | A | 2.550 | 2.510 | 3.34 | .610 | 10 | 48 | 60 | 650090-5 |
| OBSOLETE | .100 | NO | A | .550 | .510 | 1.34 | .610 | 10 | 8 | 20 | 650090-4 |
| OBSOLETE | .100 | NO | A | 1.550 | 1.510 | 2.34 | .610 | 10 | 28 | 40 | 650090-3 |
| OBSOLETE | .100 | NO | B | 1.800 | 1.760 | 2.59 | .610 | 10 | 33 | 45 | 650090-2 |
| OBSOLETE | .100 | YES | A | 2.350 | 2.310 | 3.14 | .610 | 10 | 44 | 56 | 650090-1 |

| W | PIN ONE IDENTIFIER | HOLE PATTERN | V | U | T | S | Y | X | NO OF DUAL POSN | PART NUMBER |
|---|--------------------|--------------|---|---|---|---|---|---|-----------------|-------------|
| | | | | | | | | | | |

THIS DRAWING IS A CONTROLLED DOCUMENT. **STE** TE Connectivity

APVD: M. BOWERS

PRODUCT SPEC: 108-14034

APPLICATION SPEC: 114-26012

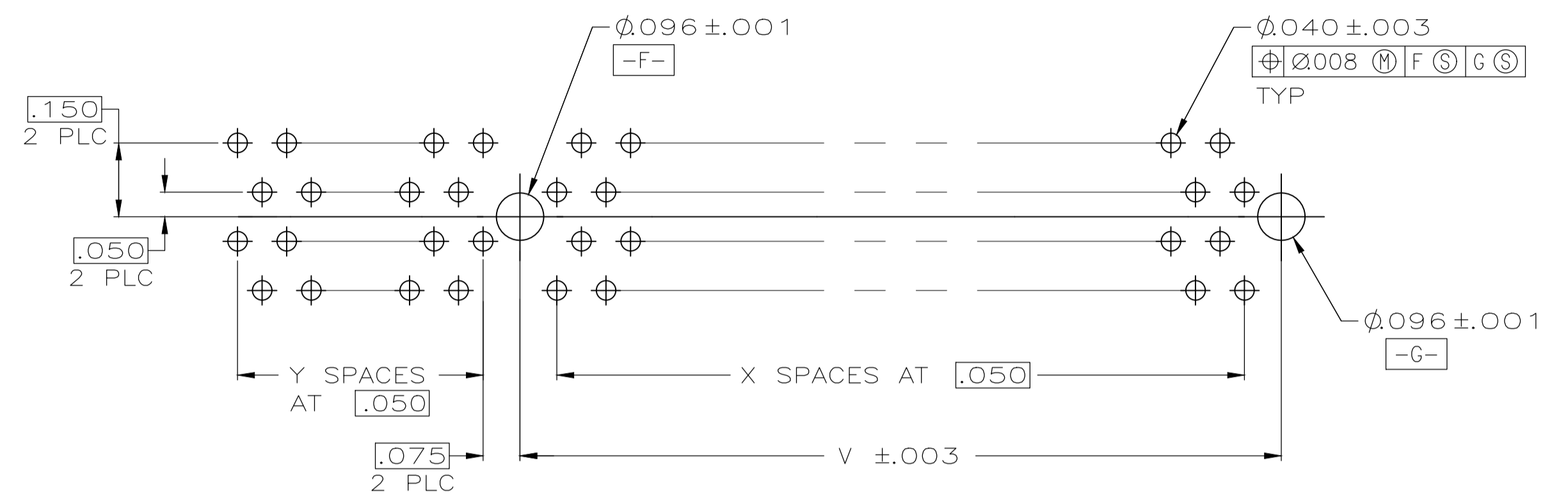
WEIGHT: 0

SCALE: 4:1

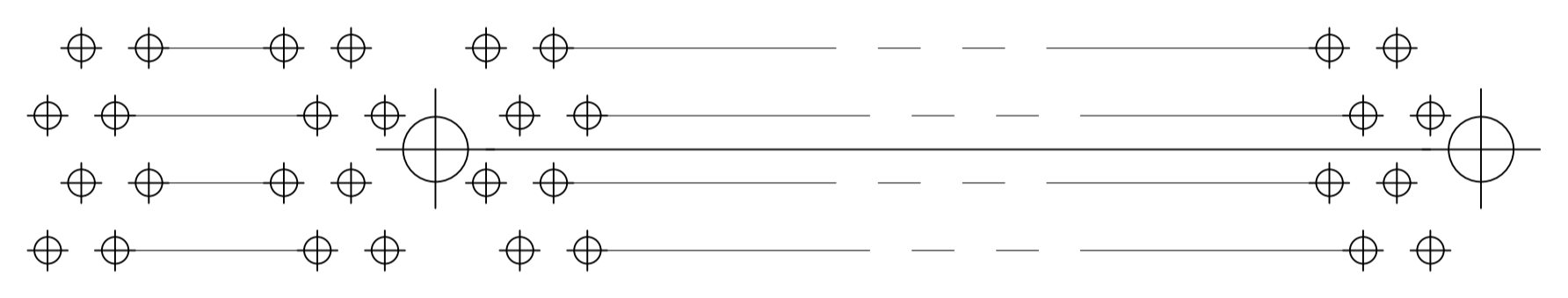
SHEET 1 OF 2

REV AB

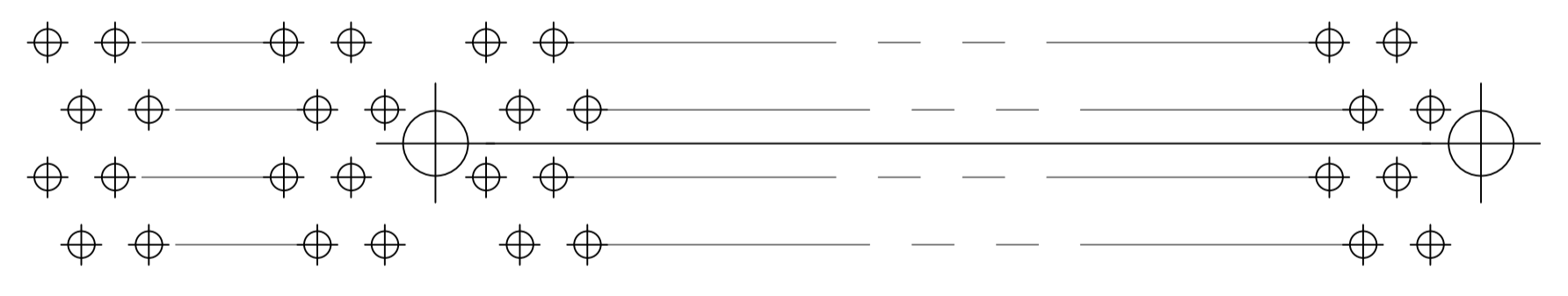
| REVISIONS | | | | |
|-----------|------|-------------|----|------|
| REV | DATE | DESCRIPTION | BY | APPV |
| 1 | | SEE SHEET 1 | | |



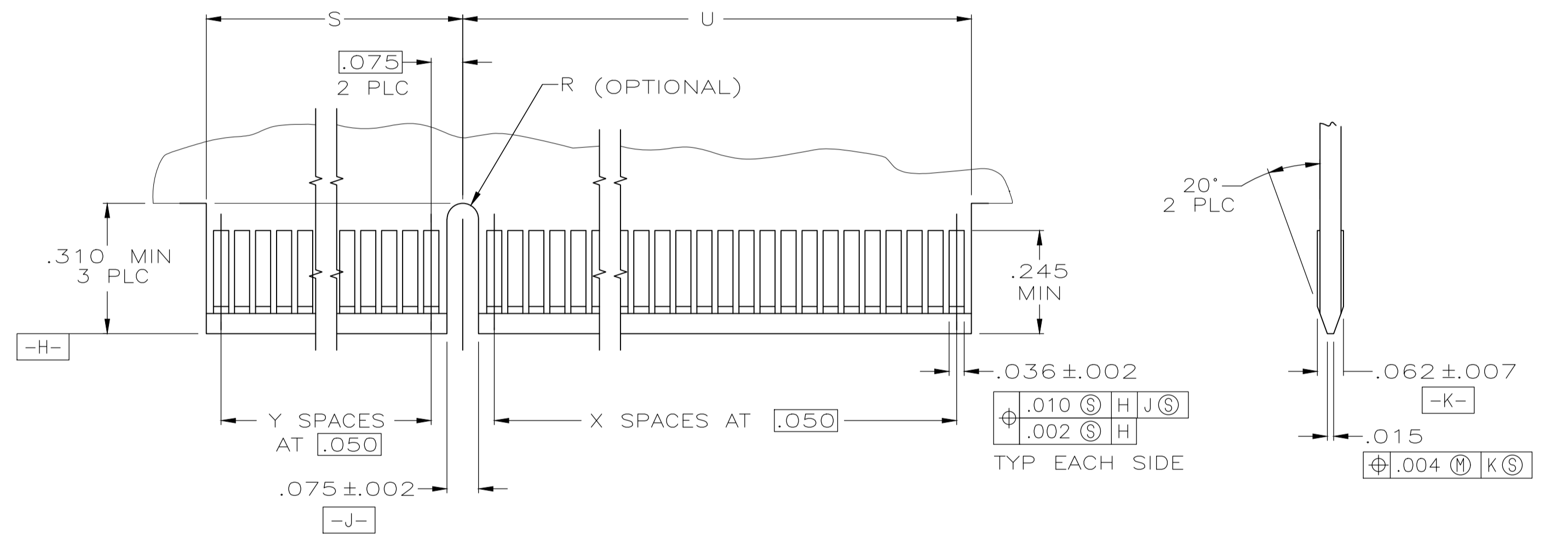
RECOMMENDED CONNECTOR MOUNTING HOLE PATTERN A
(CONNECTOR SIDE SHOWN)



RECOMMENDED CONNECTOR MOUNTING HOLE PATTERN B
(CONNECTOR SIDE SHOWN)



RECOMMENDED CONNECTOR MOUNTING HOLE PATTERN C
(CONNECTOR SIDE SHOWN)



RECOMMENDED MATING BOARD EDGE CONFIGURATION
(CONNECTOR SIDE SHOWN)

| | | | | |
|--|--|------------------------------------|---|--------------------|
| THIS DRAWING IS A CONTROLLED DOCUMENT. | | DWN K.L. CLOUSER/UTA 3/20/91 | TE Connectivity | |
| DIMENSIONS: INCHES | | CHK M. BOWERS 7-22-91 | NAME CONNECTOR ASSEMBLY, DUAL POSITION, .050 SERIES. | |
| TOLERANCES UNLESS OTHERWISE SPECIFIED: 0. PLC ± - 1. PLC ± - 2. PLC ± .01 3. PLC ± .005 4. PLC ± - ANGLES ± 2° FINISH | | APVD - | PRODUCT SPEC 108-14034 | RESTRICTED TO - |
| MATERIAL | | APPLICATION SPEC 114-26012 | SIZE A1 | CAGE CODE 00779 |
| | | WEIGHT - | DRAWING NO 650090 | REV - |
| | | CUSTOMER DRAWING | SCALE 4:1 | SHEET 2 OF 2 |

X-ON Electronics

Largest Supplier of Electrical and Electronic Components

Click to view similar products for [Standard Card Edge Connectors](#) category:

Click to view products by [TE Connectivity](#) manufacturer:

Other Similar products are found below :

[6565204-6](#) [PKC-156](#) [1437274-4](#) [147889-1](#) [1489165-4](#) [1-582587-1](#) [1-582589-1](#) [2-6437275-9](#) [284-0102-12100](#) [306022901000000](#) [307-012-502-202](#) [307-024-526-201](#) [307-056-520-300](#) [307-080-526-208](#) [245-062-520-350](#) [287-0032-12101](#) [306-028-525-102](#) [306-240-318](#) [307-036-502-202](#) [307-036-521-301](#) [307-072-526-202](#) [345-060-559-303](#) [368-004-520-201](#) [392-008-559-201](#) [534671-1](#) [5-530501-5](#) [341-240-317](#) [345-029-520-300](#) [345-030-500-301](#) [345-044-500-300](#) [345-220-058](#) [346-240-318](#) [357-030-526-201](#) [387-012-523-300](#) [395-044-520-300](#) [395-100-524-300](#) [50-12B-10](#) [50-6SN-5](#) [09-07-2032](#) [10035388-106LF](#) [10035388-802LF](#) [10122859-009LF](#) [530555-1](#) [EBT156-15A2X](#) [2007209-1](#) [5-678046-1](#) [1766200-1](#) [650231-6](#) [650289-1](#) [73726-0005](#)