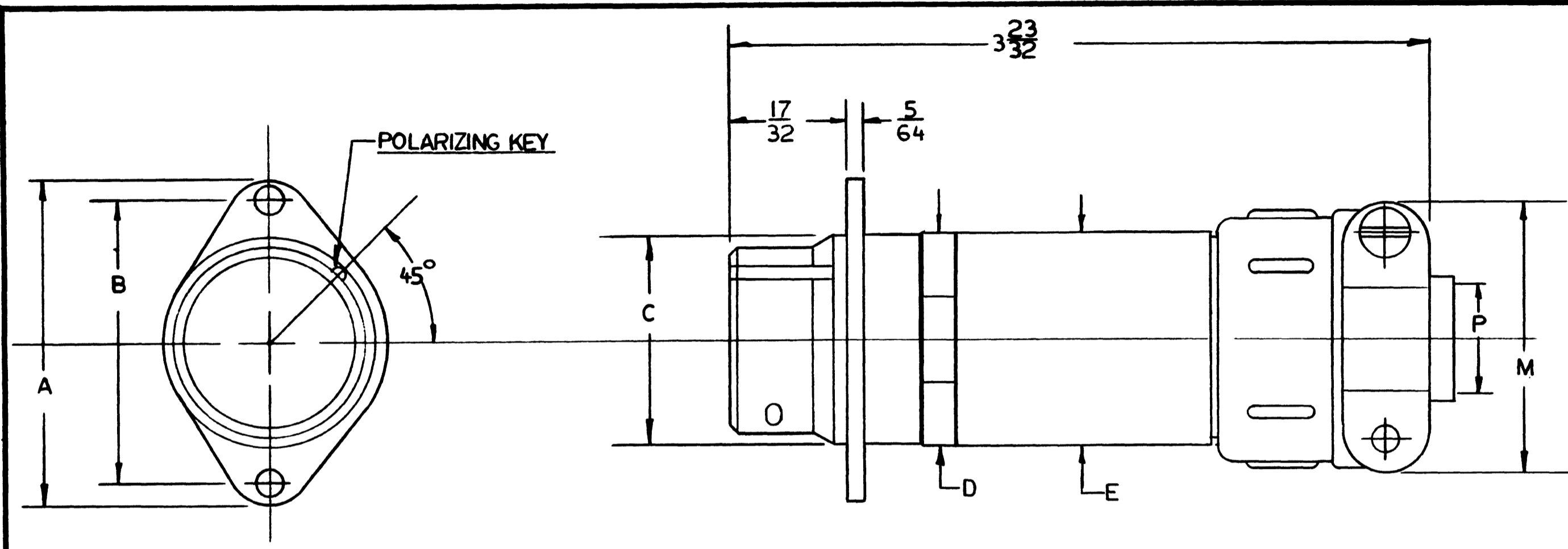


MOD-220



| SHELL SIZE | A | B | C | D | E | M | P |
|------------|-------|------|-------|-------|-------|------|------|
| -7 P | 1/4 | 1/64 | 11/16 | 11/16 | 11/16 | 7/8 | 7/32 |
| -7 S | 1/4 | 1/64 | 11/16 | 11/16 | 11/16 | 7/8 | 7/32 |
| -19 P | 15/32 | 9/32 | 15/16 | 61/64 | 61/64 | 5/32 | 7/16 |
| -19 S | 15/32 | 9/32 | 15/16 | 61/64 | 61/64 | 5/32 | 7/16 |

| | | | |
|--|--|--|--|
| | | | |
| | | | |
| | | | |

1. DE-BURR ALL SHARP EDGES

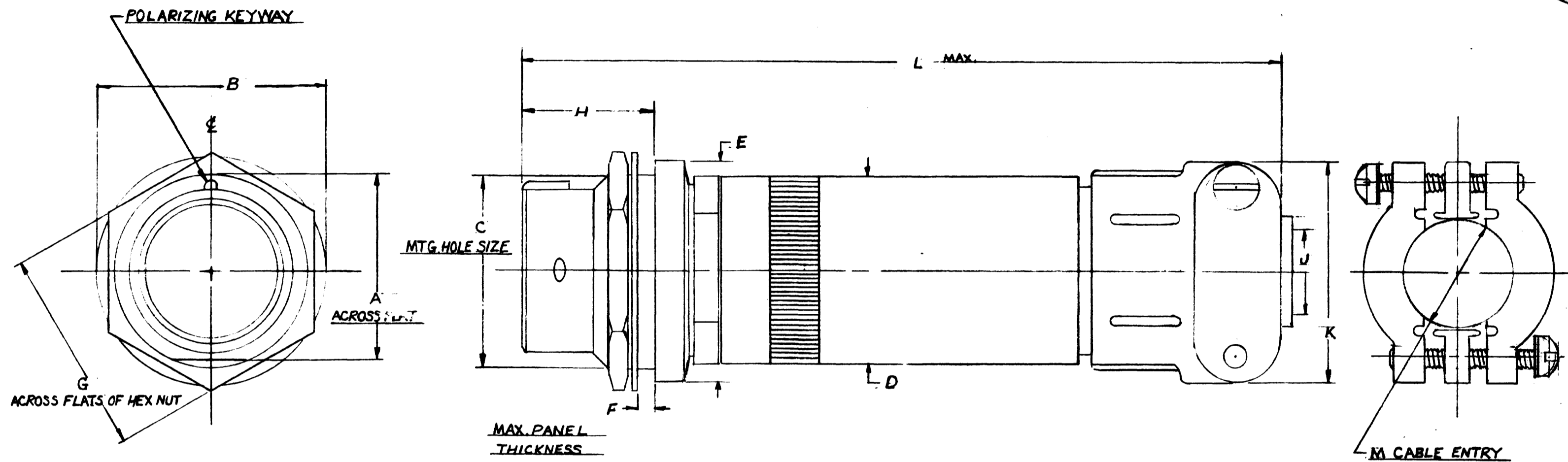
| MATERIAL | SPEC. |
|----------|-------|
| | |
| | |
| | |
| | |

THE DEUTSCH COMPANY
 7000 AVALON BLVD., LOS ANGELES, CALIF.

DS0031-#5 RECEPTACLE, QUICK
 DISCONNECT TYPE-WITH CABLE
 CLAMP, ADAPTER + EXTENSION

| | | | |
|---------------------|------------------------------|-------|------|
| NO. | CHANGE | BY | DATE |
| | | | |
| DRAWN | <i>Handwritten signature</i> | | |
| CHECKED | <i>Handwritten signature</i> | | |
| APPROVED | <i>Handwritten signature</i> | | |
| DATE | 11-27-59 | SCALE | |
| MOD-220 | | | |
| RECEPTACLE ENVELOPE | | | |

MOD. -



| SHELL SIZE | A | B | C <small>MIN. DIA. FOR SEAL</small> | D | E | F | G | H | J | K | L | M |
|------------|---------|--------|--|--------|--------|-----|--------|--------|------|-------|-------|--------|
| -7 S | 21/32 | 7/8 | .696 | 11/16 | 7/8 | 1/8 | 13/16 | 11/16 | 7/32 | 7/8 | 3 1/2 | 5/16 |
| -12 S | 25/32 | 1 1/16 | .818 | 1 1/16 | 1 1/16 | 1/8 | 1 1/16 | 1 1/16 | 5/16 | 1 1/2 | 3 1/2 | 7/16 |
| -19 S | 21/32 | 1 3/16 | 1.010 | 1 1/8 | 1 5/16 | 1/8 | 1 1/16 | 1 1/16 | 7/16 | 1 3/4 | 3 1/2 | 3/8 |
| -27 S | 1 3/32 | 1 5/16 | 1.135 | 1 1/2 | 1 7/16 | 1/8 | 1 1/4 | 1 1/16 | 9/16 | 1 1/2 | 3 1/2 | 5/8 |
| -37 S | 1 3/32 | 1 1/2 | 1.260 | 1 3/4 | 1 3/4 | 1/8 | 1 3/8 | 1 1/16 | 5/8 | 1 3/4 | 3 1/2 | 3/4 |
| -61 S | 1 19/32 | 1 7/8 | 1.630 | 1 9/16 | 1 3/2 | 1/8 | 1 3/4 | 3/4 | 3/4 | 1 1/2 | 3 1/2 | 1 1/16 |

2. FOR AVAILABLE CONTACT ARRANGEMENTS AND ALTERNATE INSERT POSITIONS SEE 1705B SHEETS.
1. SEE GENERAL DESCRIPTION FOR MATERIAL & MATERIAL SPECIFICATIONS.

NOTES:

1. DE-BURR ALL SHARP EDGES

TOLERANCES
FRACTIONS ± .015 DECIMALS ± .005 ANGLES ± 1/2°
UNLESS OTHERWISE SPECIFIED

| | | |
|----------|-------|-----|
| MATERIAL | SPEC. | |
| MATERIAL | SPEC. | |
| MATERIAL | SPEC. | |
| FORGING | SPEC. | WT. |

THE DEUTSCH COMPANY
7000 AVALON BLVD., LOS ANGELES, CALIF.

1705B-35 (ENVELOPE)
RECEPTACLE BLKHD. MTG. TYPE
WITH CABLE CLAMP ADAPTER,
EXTENSION & CABLE CLAMP

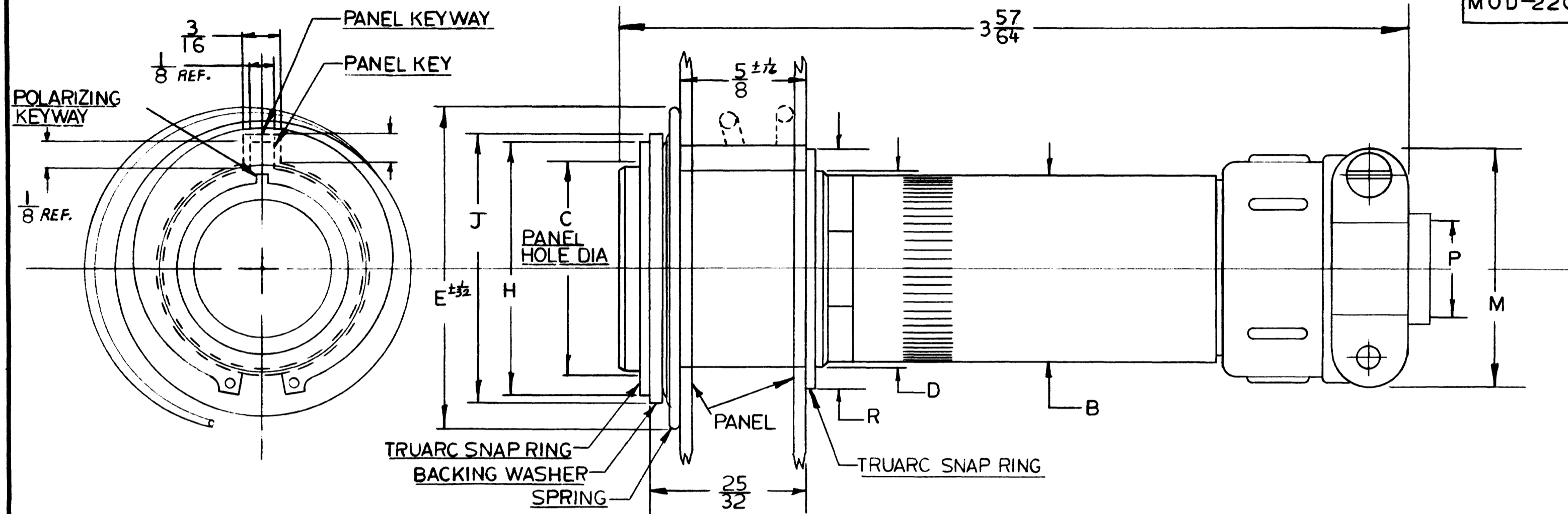
NO. CHANGE BY DATE

DRAWN
CHECKED
APPROVED

DATE 11-23-59 SCALE NONE

MOD-220
RECEPTACLE (ENVELOPE)

MOD-220



| PART NO. | NO. CONTACTS | B | C | D | E | H | J | R | M | P | WT / LBS |
|----------------|--------------|--------|---------|--------|---------|---------|--------|---------|---------|------|----------|
| DS09-3 P S | 3 | 37/64 | 11/16 | 39/64 | 1 3/16 | 43/64 | 7/8 | 3/4 | 13/16 | 1/8 | |
| DS09-7 P S | 7 | 11/16 | 13/16 | 3/4 | 1 5/16 | 31/32 | 5/32 | 15/16 | 7/8 | 7/32 | |
| DS09-12 P S | 12 | 13/16 | 61/64 | 55/64 | 1 33/64 | 1 1/16 | 1/4 | 5/64 | 1 1/16 | 5/16 | |
| DS09-19 P S | 19 | 61/64 | 1/16 | 1 | 1 41/64 | 1 19/64 | 3/8 | 15/64 | 5/32 | 7/16 | |
| DS09-27 P S | 27 | 1 3/32 | 1 3/16 | 1 9/64 | 1 13/16 | 1 17/32 | 5/8 | 15/32 | 1 1/4 | 9/16 | |
| DS09-37 P S | 37 | 1 1/4 | 1 3/8 | 1 5/16 | 2 1/16 | 1 19/32 | 51/64 | 1 17/32 | 1 15/32 | 5/8 | |
| DS09-61 P S | 61 | 1 9/16 | 1 11/16 | 1 5/8 | 2 51/64 | 2 | 2 9/64 | 2 | 1 11/16 | 3/4 | |

| NO. | CHANGE | BY | DATE |
|-----|--------|----|------|
| | | | |
| | | | |

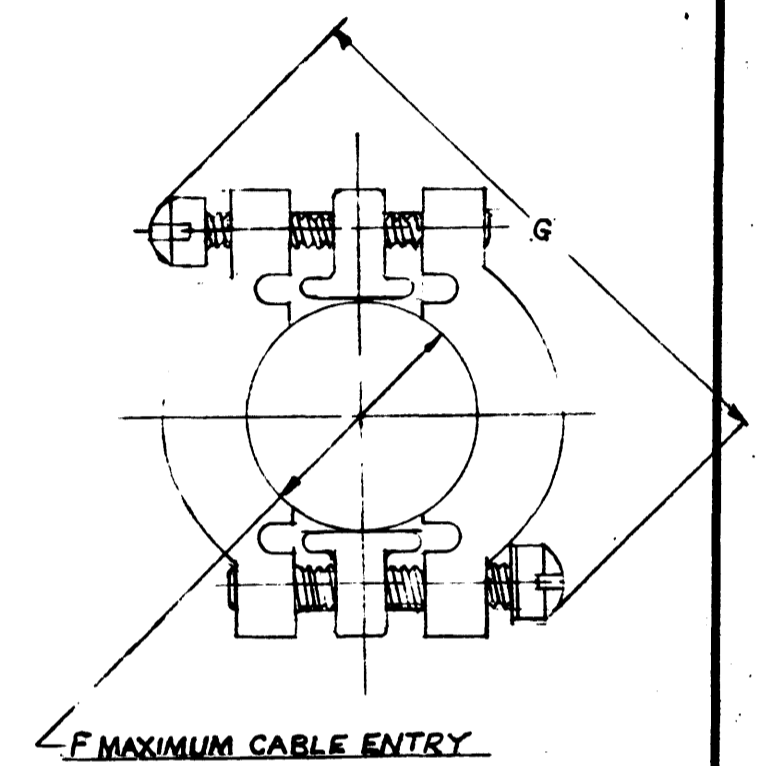
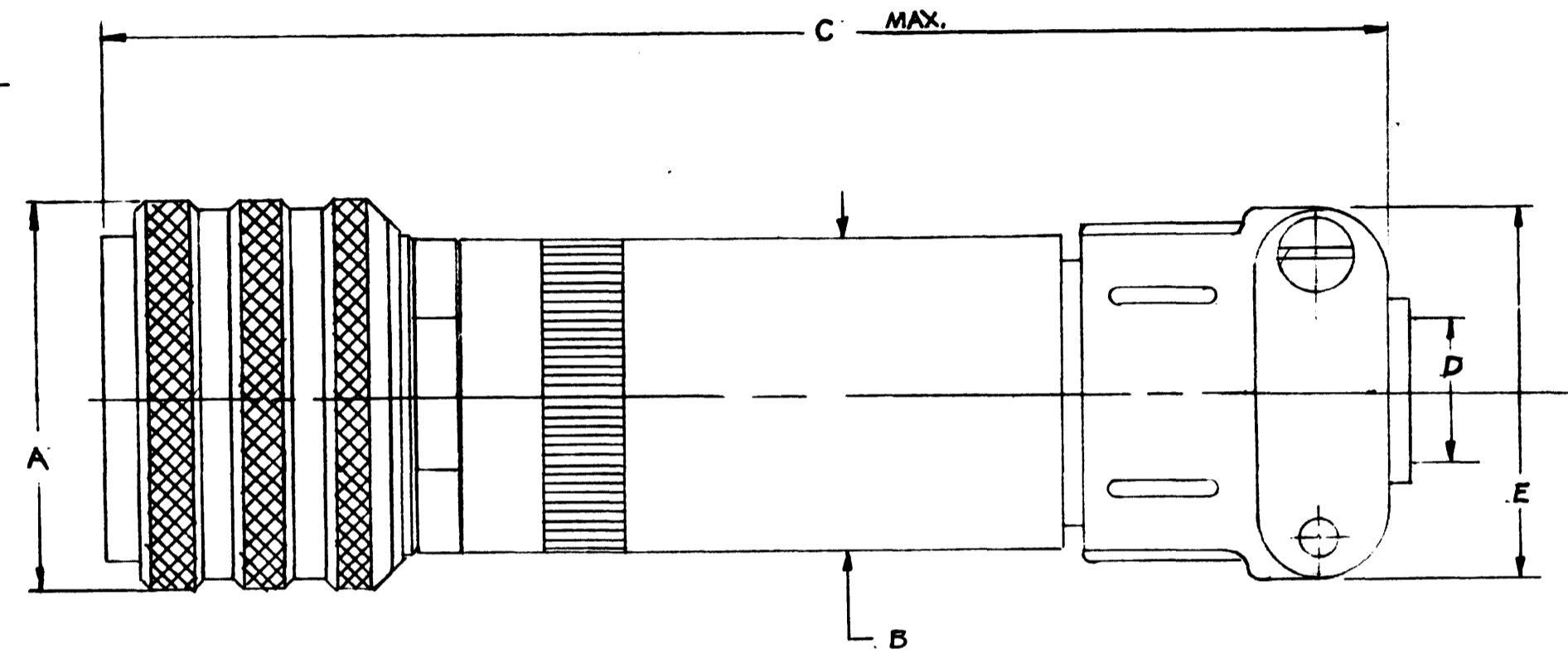
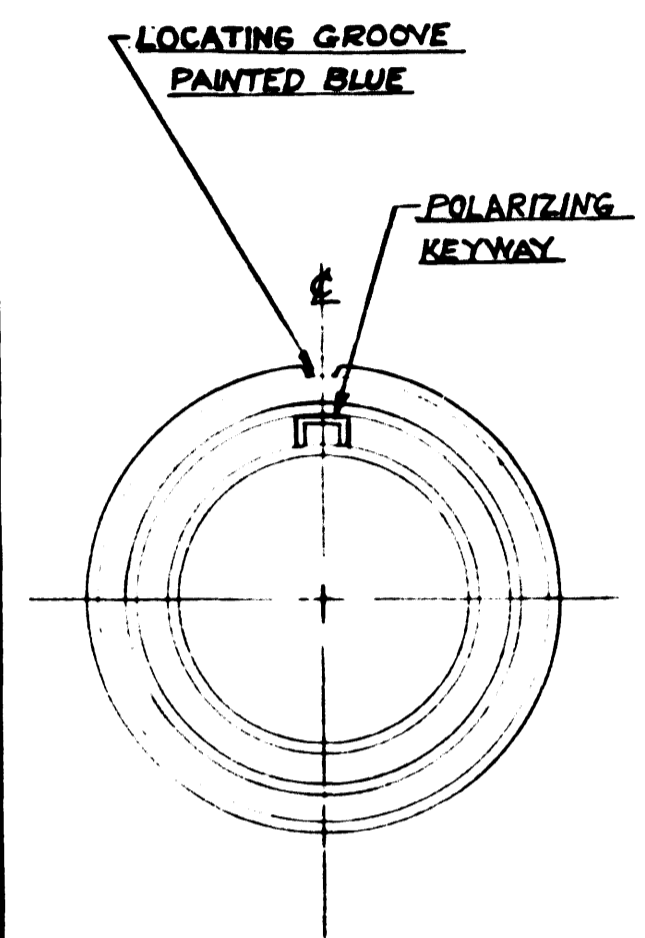
| 1. DE-BURR ALL SHARP EDGES | | TOLERANCES FRACTIONS ± .015 DECIMALS ± .005 ANGLES ± 1/2° UNLESS OTHERWISE SPECIFIED | |
|----------------------------|-------|--|--|
| MATERIAL | SPEC. | | |
| MATERIAL | SPEC. | | |
| MATERIAL | SPEC. | | |
| FORGING | SPEC. | WT. | |

THE DEUTSCH COMPANY
7000 AVALON BLVD., LOS ANGELES, CALIF.

DS09*5 PLUG RACK PANEL TYPE
WITH CABLE CLAMP, EXTENSION &
ADAPTER

| | |
|----------------------------|--------------------|
| DRAWN | <i>W. Brangman</i> |
| CHECKED | <i>T. ...</i> |
| APPROVED | <i>RCD</i> |
| DATE | 1-25-59 |
| SCALE | |
| MOD-220 PLUG (ENVELOPE) | |

MOD.-220



| SHELL SIZE | A | B | C MAX | D | E | F | G |
|------------|-------|--------|---------|------|--------|-------|--------|
| -3 P | 47/64 | 37/64 | 3 51/64 | 1/8 | 13/16 | 1/4 | 1 1/16 |
| -7 P | 59/64 | 11/16 | 3 51/64 | 7/32 | 7/8 | 5/16 | 1 1/8 |
| -12 P | 3/16 | 13/16 | 3 55/64 | 5/16 | 1 1/16 | 7/16 | 1 1/2 |
| -19 P | 13/16 | 51/64 | 3 59/64 | 7/16 | 1 3/32 | 9/16 | 1 7/8 |
| -27 P | 11/32 | 3/32 | 3 59/64 | 9/16 | 1 1/4 | 5/8 | 1 3/4 |
| -37 P | 31/64 | 1/2 | 3 63/64 | 5/8 | 1 5/32 | 3/4 | 1 7/8 |
| -61 P | 13/16 | 1 1/16 | 4 1/4 | 3/4 | 1 1/16 | 15/16 | 2 1/8 |

2. FOR AVAILABLE CONTACT ARRANGEMENTS AND ALTERNATE INSERT POSITIONS SEE 17500 SHEETS. 1. SEE "GENERAL DESCRIPTION" FOR ELECTRICAL & MATERIAL SPECIFICATIONS.

NOTES:

1. DE-BURR ALL SHARP EDGES

TOLERANCES
FRACTIONS ± .015 DECIMALS ± .005 ANGLES ± 1/2°
UNLESS OTHERWISE SPECIFIED

| | | |
|----------|-------|-----|
| MATERIAL | SPEC. | |
| MATERIAL | SPEC. | |
| MATERIAL | SPEC. | |
| FORGING | SPEC. | WT. |

THE DEUTSCH COMPANY
7000 AVALON BLVD., LOS ANGELES, CALIF.

DS07-R (ENVELOPE)
PLUG, QUICK DISCONNECT DS TYPE
WITH CABLE CLAMP ADAPTER, EXTENSION
& CABLE CLAMP.

| | | | |
|-----|--------|----|------|
| NO. | CHANGE | BY | DATE |
| | | | |
| | | | |
| | | | |

DRAWN STAN. BYER
CHECKED [Signature]
APPROVED [Signature]

DATE 11-16-59 SCALE

MOD.-220
PLUG (ENVELOPE)

X-ON Electronics

Largest Supplier of Electrical and Electronic Components

Click to view similar products for [Standard Circular Connector](#) category:

Click to view products by [TE Connectivity](#) manufacturer:

Other Similar products are found below :

[5M2530B10P](#) [600259N006](#) [600273N007](#) [6134-336-13149](#) [6134-337-11149](#) [6134-337-2390](#) [6134-341-17149](#) [6280-4SG-516](#) [6280-7SG-3DC](#)
[6290](#) [6291A](#) [66200A-10](#) [680-SMG](#) [681-PMG](#) [CXS3102A14S2P](#) [CXS3102A181S](#) [7271-6SG-300](#) [7282-3PG-300-CH3](#) [75-474618-01S](#) [75-](#)
[474618-04P](#) [75-474618-04S](#) [799539-000](#) [MI8-SE](#) [805-005-07NF11-19PC](#) [805-005-07NF15-7PA](#) [8280-4PG-516](#) [8280-7PG-519](#) [8282-5PG-](#)
[519](#) [836783-1](#) [MP-4102-25P-C](#) [862256-1](#) [864019-2](#) [866857-1](#) [867865-1](#) [PT01SP-14-18P](#) [PT08P-14-5S](#) [120-1833-000](#)
[QCM019PC2DC012B](#) [1-2069279-1](#) [121583-0217](#) [121667-0020](#) [129591AU](#) [1000B BULK](#) [RD10A16-19-P6CS051/1](#) [RD10A20-31-](#)
[P8CS051/1](#) [RD16A14-12-S6CS051/2](#) [1301240290](#) [1301240347](#) [1301860202](#) [1301240268](#) [1301240275](#)