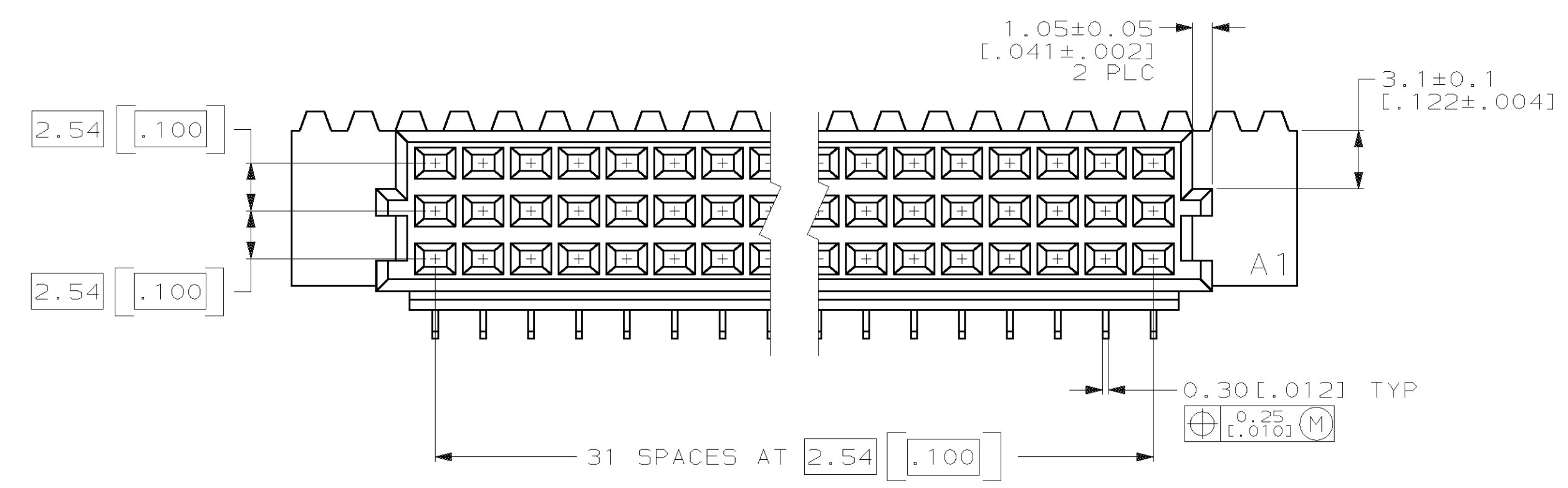
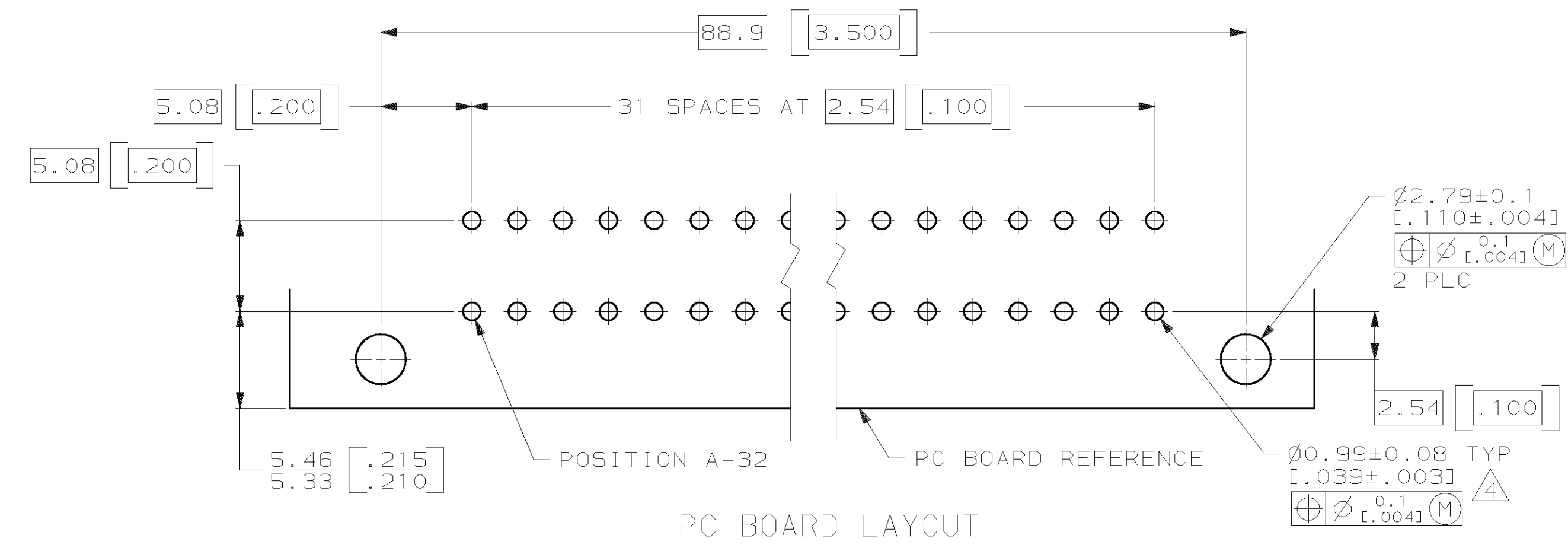
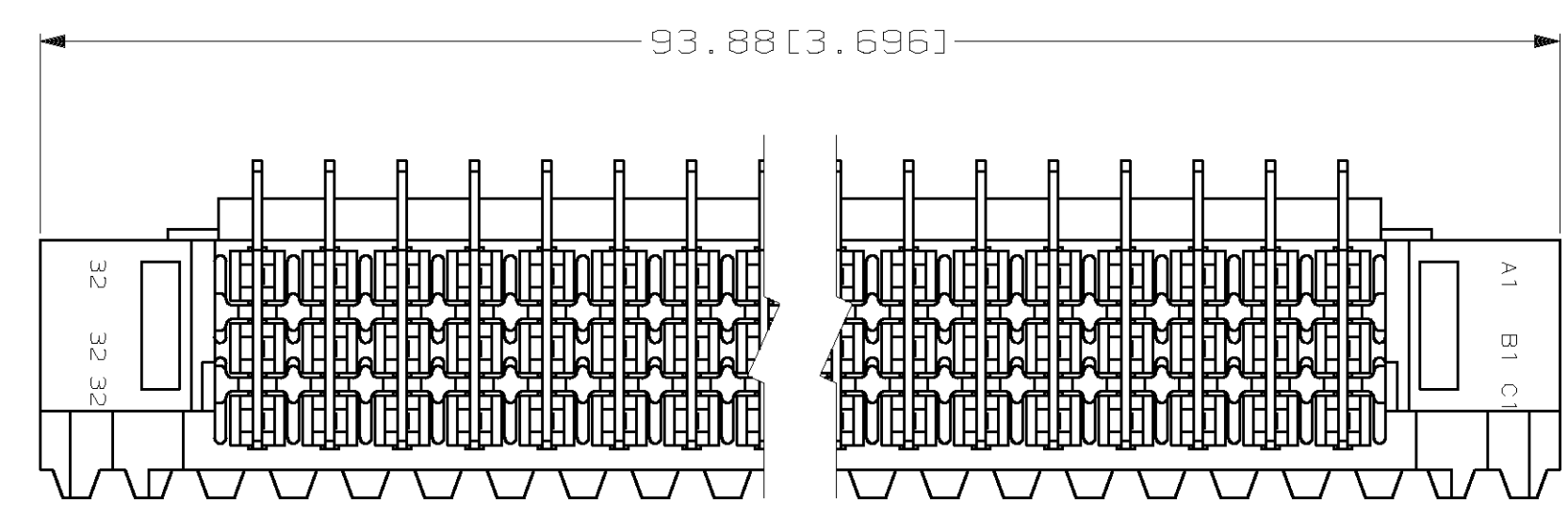
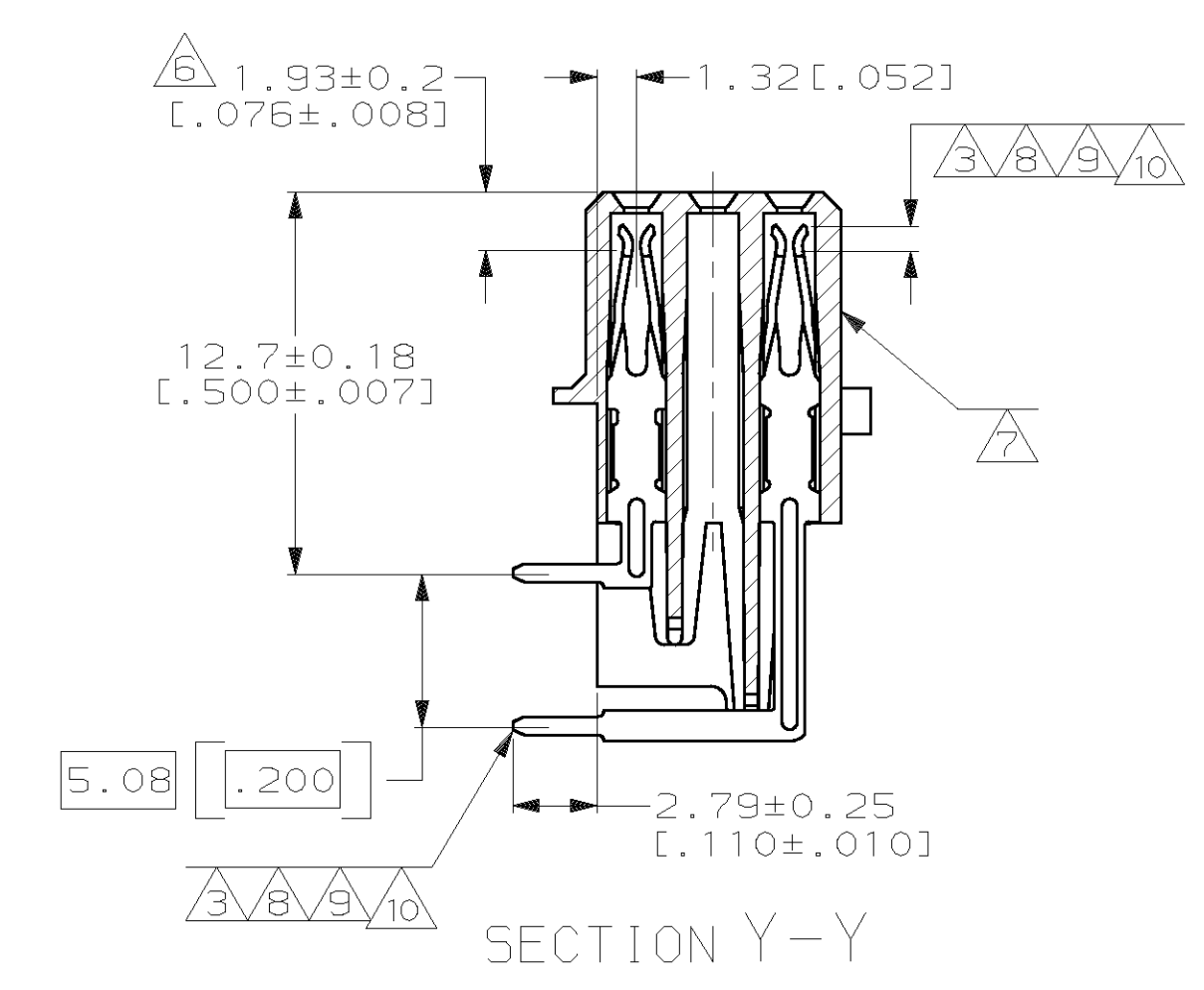
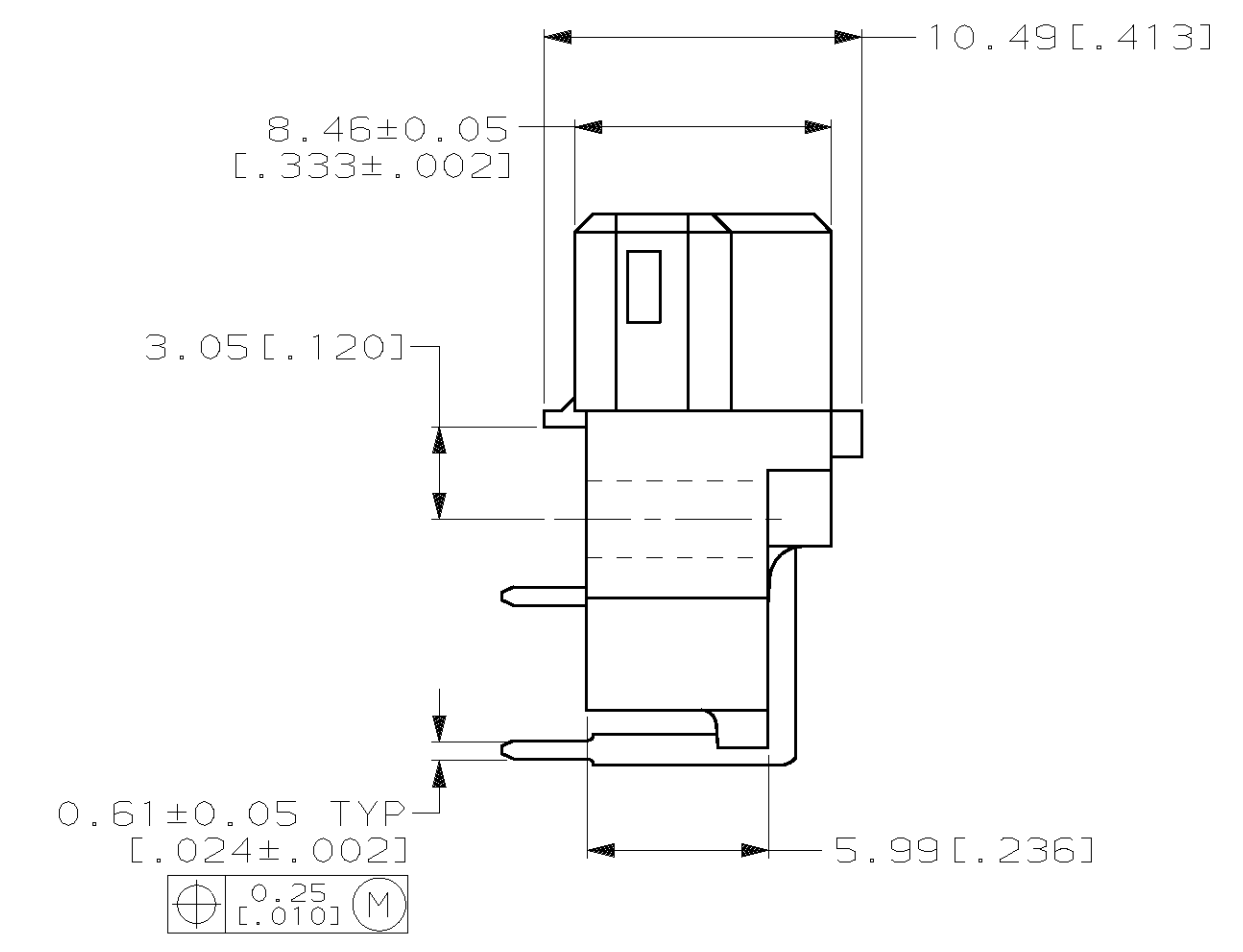
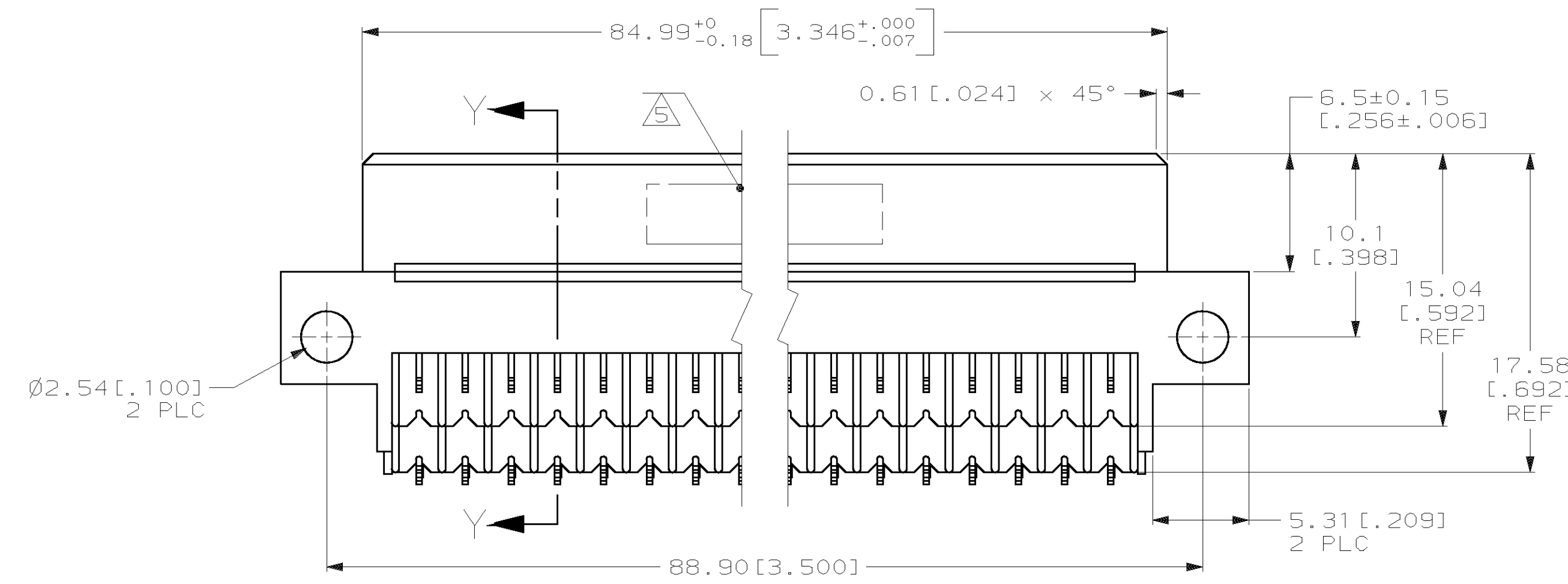


LOC	DIST	P	F	ZONE	LTR	DESCRIPTION	DATE	APPD
AD	25				R	ADDED -6 PER EC 0621-103-99	08 APR 99	CR
					S	REV PER EC 0U1B-0203-00	15 AUG 00	CR
					T	REV PER EC 0S12-0016-03	09 JAN 04	AS



- ① HOUSING MATERIAL: GLASS-FILLED POLYESTER. COLOR: GRAY.
- ② CONTACT MATERIAL: PHOSPHOR BRONZE.
- ③ CONTACT FINISH: 0.00076[.000030] GOLD IN CONTACT AREA. 0.00127[.000050] NICKEL UNDERPLATE ALL OVER. TIN-LEAD ON POSTS.
- ④ RECOMMENDED HOLE SIZE FOR MANUAL APPLICATION OF CONNECTOR ONTO PC BOARD.
- ⑤ PART NUMBER, DATE CODE IDENTIFICATION, CSA LOGO HOT-STAMPED THIS APPROXIMATE AREA.
- ⑥ CONTACT POINT.
- ⑦ HOT-STAMPING ON THIS SIDE.
- ⑧ CONTACT FINISH: DIN 41612 CLASS 3 IN CONTACT AREA. TIN-LEAD ON POSTS.
- ⑨ CONTACT FINISH: DIN 41612 CLASS 1 IN CONTACT AREA. TIN-LEAD ON POSTS.
- ⑩ CONTACT FINISH: DIN 41612 CLASS 2 IN CONTACT AREA. TIN-LEAD ON POSTS.



NOTES	POSITIONS LOADED	C	B	A	NO. OF LOADED POSITION	ASSY PART NUMBER	
SUPERSEDED BY 650870-4							
OBSOLETE	⑧	1 THRU 32	X	-	X	64	650870-9
OBSOLETE	⑩	1 THRU 32	X	-	X	64	650870-6
OBSOLETE	⑩	1 THRU 32	X	-	X	64	650870-5
OBSOLETE	③	1 THRU 32	X	-	X	64	650870-4
OBSOLETE	⑨	1 THRU 32	X	-	X	64	650870-1

DO NOT SCALE PRINT. UNLESS SPECIFIED DIMENSIONS IN mm [INCHES] TOLERANCES ON: 1 PLC DEC ± 0.13[.005] ANGLES ± -	DR L. BRINER 9/17/90 CHK N. DRASHER 12/19/91 APPD N. DRASHER 12/19/91	AMP INCORPORATED Harrisburg, Pa. 17105		
MATERIAL HOUSING: ① CONTACT: ②	APPD K.R. PARMER 12/19/91 PRODUCT SPEC -			NAME RECEPTACLE ASSEMBLY, EUROCARD, TYPE R
FINISH CONTACT: ③ ⑧ ⑨ ⑩	APPLICATION SPEC -	SIZE D	CAGE CODE 00779	DRAWING NO 650870
WEIGHT -	SCALE 4:1	SHEET 1 OF 1		

X-ON Electronics

Largest Supplier of Electrical and Electronic Components

Click to view similar products for [DIN 41612 Connectors](#) category:

Click to view products by [TE Connectivity](#) manufacturer:

Other Similar products are found below :

[004.767](#) [608489050008049](#) [691327-1](#) [74670-0732](#) [74680-0340](#) [75880-0015](#) [76453-0014](#) [86093159ALF](#) [9732967801](#) [QLC260R](#)
[120X10019X](#) [120X10089X](#) [122A10249X](#) [122A11089X](#) [122A13089X](#) [122A10089X](#) [122A10129X](#) [122A10349X](#) [122A13359X](#) [1377391-4](#)
[DIN-048CPC-SR1-MH](#) [1393583-2](#) [1393726-7](#) [140X10129X](#) [143-1913-000](#) [143-1908-000](#) [1484472-1](#) [2110070-1](#) [2110070-2](#) [CBC20T00-](#)
[008FDS5-0-1-002VR](#) [172699-5036](#) [2-1393557-4](#) [2-1437084-2](#) [394506](#) [419-2080-402](#) [V42254B2202C968](#) [419-2086-201](#) [419-2087-002](#)
[448657-1](#) [448847-3](#) [5-1393755-9](#) [02990000004](#) [054302](#) [043556](#) [09062483201750](#) [0850033067](#) [09031646555](#) [09061486901840](#)
[09185107324800](#) [102A10019X](#)