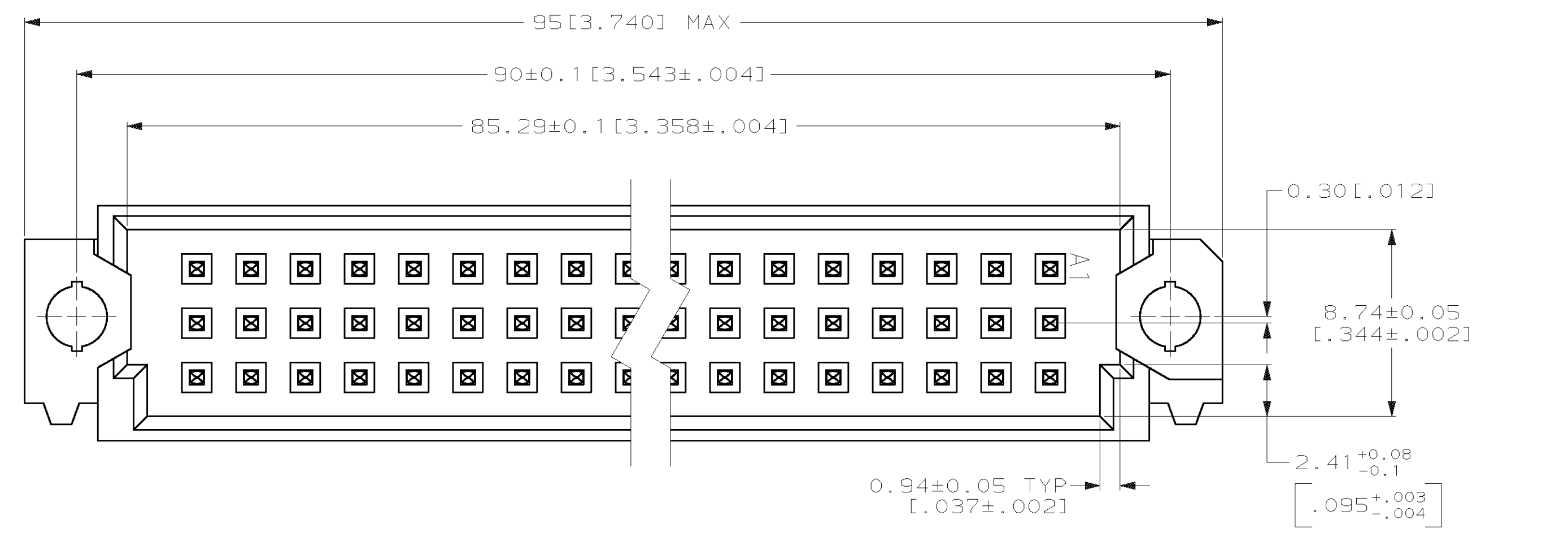
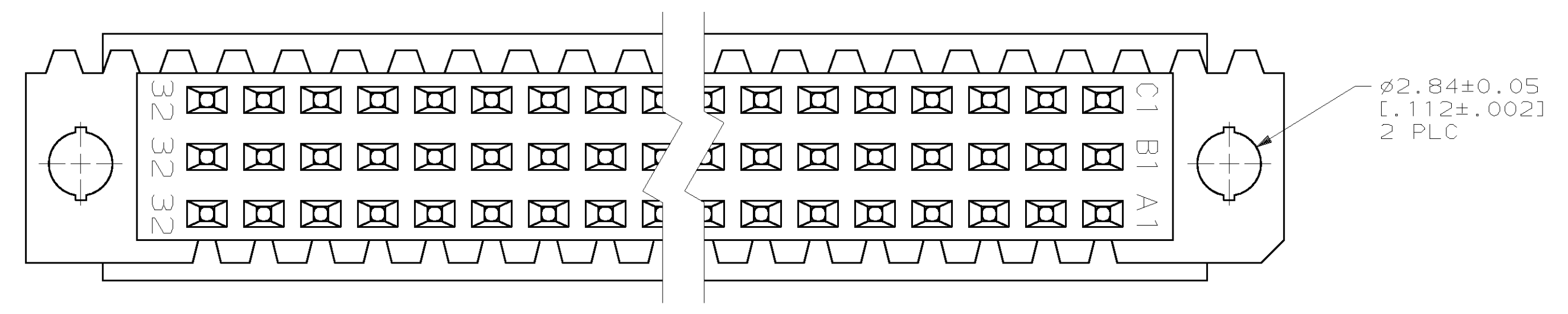
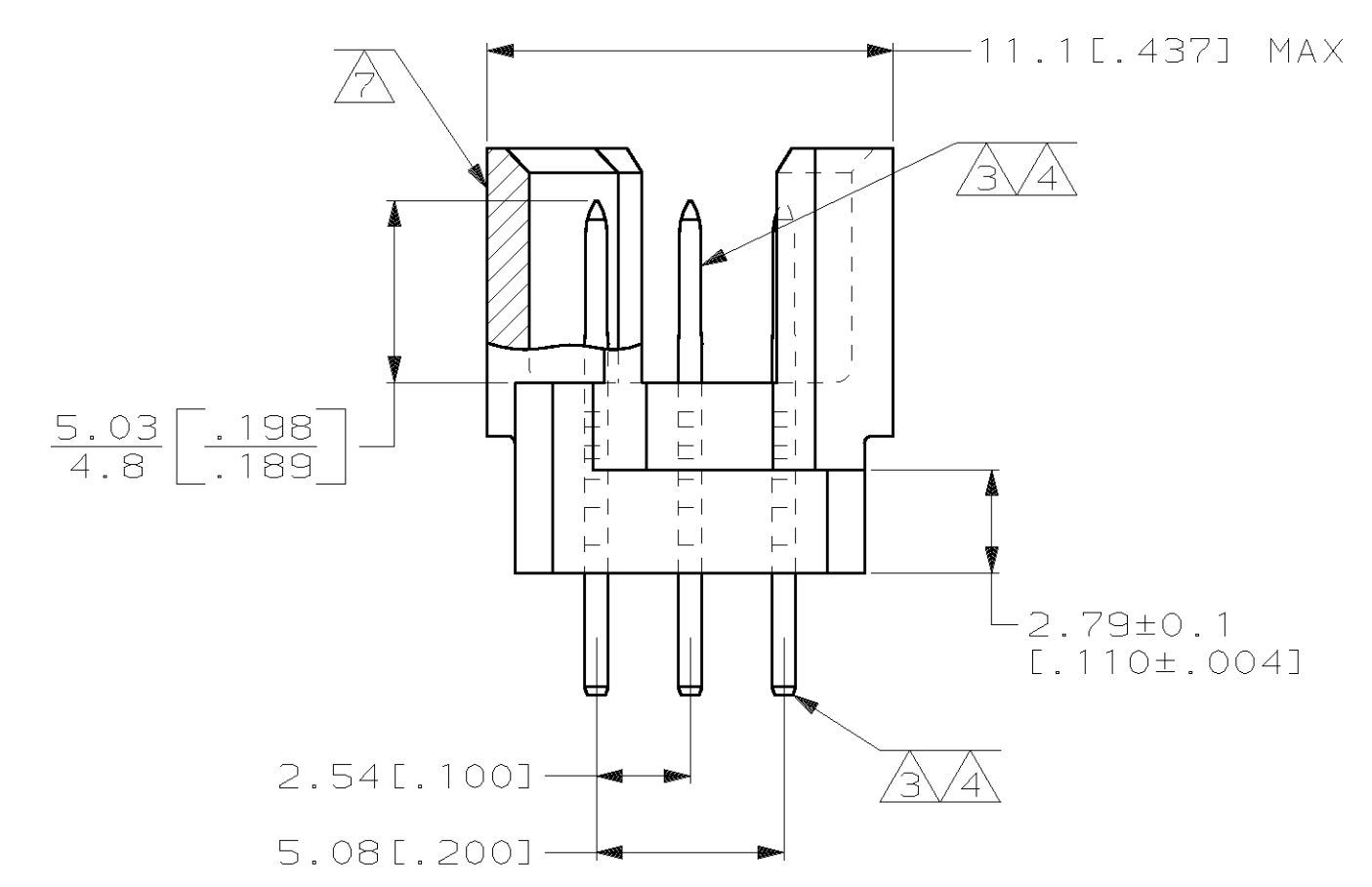
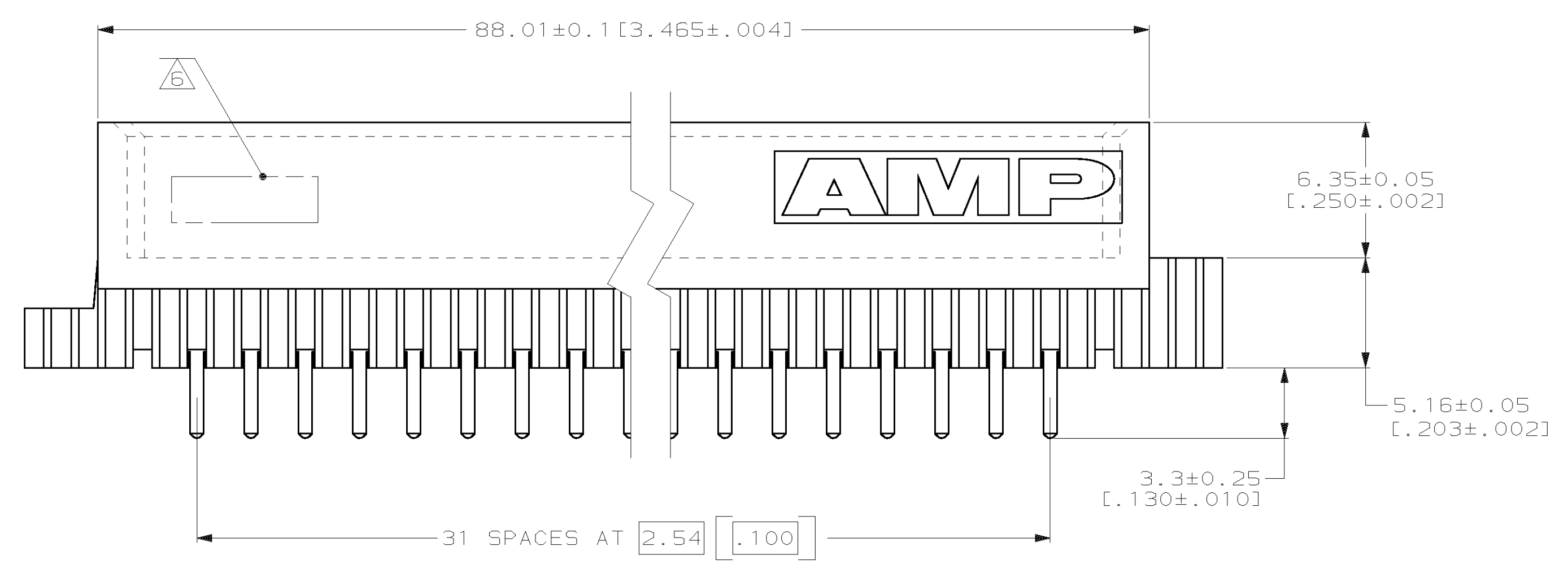


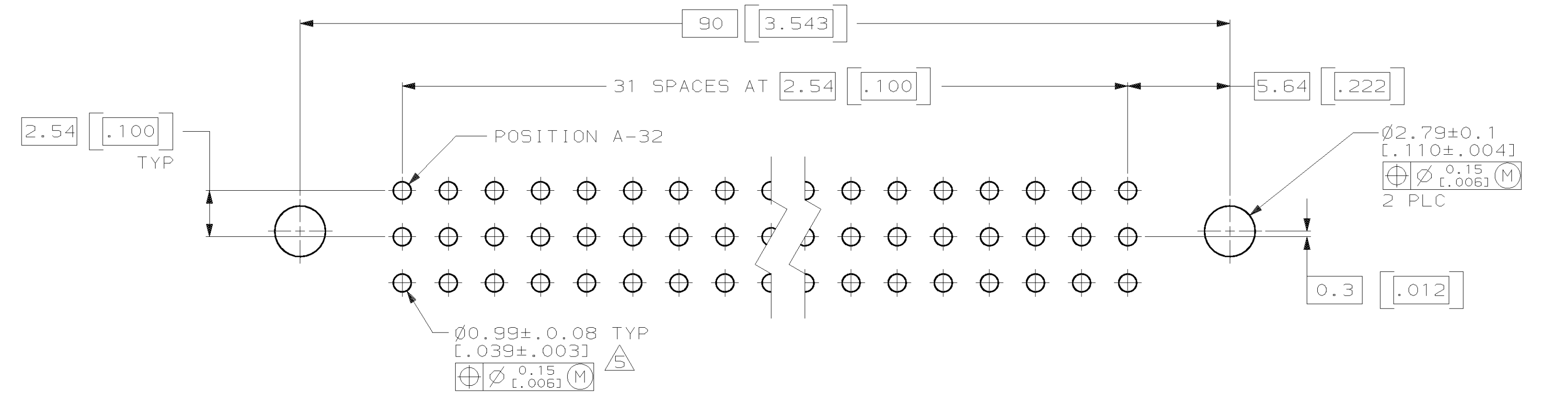
LOC		DIST		REV		REVISIONS		
AD	25	P	F	ZONE	LTR	DESCRIPTION	DATE	APPD
			F			EC 0010-1559-93	11/8/93	LSB
			G			EC 0010-0436-94	3/25/94	LSB
			H			EC 0010-0971-94	7/13/94	LSB
			J			REV PER EC 0512-0016-03	09JAN04	AS



- ① HOUSING MATERIAL: GLASS-FILLED POLYESTER. COLOR: GRAY.
- ② POST MATERIAL: BRASS.
- ③ POST FINISH: DIN 41612 CLASS 3 IN CONTACT AREA. TIN-LEAD PLATE ON POSTS.
- ④ POST FINISH: DIN 41612 CLASS 2 IN CONTACT AREA. TIN-LEAD PLATE ON POSTS.
- ⑤ RECOMMENDED HOLE SIZE FOR MANUAL APPLICATION OF CONNECTOR ONTO PC BOARD.
- ⑥ [PART NUMBER, DATE CODE] MARKED THIS APPROXIMATE AREA.
- ⑦ MARKING ON THIS SIDE.



OBSOLETE	③	1-32	X	X	X	96	650908-9
	④	1-32	X	X	X	96	650908-5



		PART NO			
DO NOT SCALE PRINT. UNLESS SPECIFIED DIMENSIONS IN mm [INCHES]	DR L. BRINER 3/18/91	AMP Incorporated Harrisburg, PA 17105-3608			
TOLERANCES ON:	CHK D.C. RUBENDALL 3/26/91				
1 PLC DEC ± -	APPD D.C. RUBENDALL 3/26/91	NAME	PIN ASSEMBLY, EUROCARD, TYPE R		
2 PLC DEC ± 0.13 [.005]	APPD K.R. PARMER 3/26/91		PRODUCT SPEC		
ANGLES ± -	FINISH	APPLICATION SPEC	SIZE D	CAGE CODE 00779	DRAWING NO 650908
	POST: ③④	WEIGHT	SCALE 5:1	SHEET 1 OF 1	

X-ON Electronics

Largest Supplier of Electrical and Electronic Components

Click to view similar products for [DIN 41612 Connectors](#) category:

Click to view products by [TE Connectivity](#) manufacturer:

Other Similar products are found below :

[004.767](#) [608489050008049](#) [691327-1](#) [74670-0732](#) [74680-0340](#) [75880-0015](#) [76453-0014](#) [86093159ALF](#) [9732967801](#) [QLC260R](#)
[120X10019X](#) [120X10089X](#) [122A10249X](#) [122A11089X](#) [122A13089X](#) [122A10089X](#) [122A10129X](#) [122A10349X](#) [122A13359X](#) [1377391-4](#)
[DIN-048CPC-SR1-MH](#) [1393583-2](#) [1393726-7](#) [140X10129X](#) [143-1913-000](#) [143-1908-000](#) [1484472-1](#) [2110070-1](#) [2110070-2](#) [CBC20T00-](#)
[008FDS5-0-1-002VR](#) [172699-5036](#) [2-1393557-4](#) [2-1437084-2](#) [394506](#) [419-2080-402](#) [V42254B2202C968](#) [419-2086-201](#) [419-2087-002](#)
[448657-1](#) [448847-3](#) [5-1393755-9](#) [02990000004](#) [054302](#) [043556](#) [09062483201750](#) [0850033067](#) [09031646555](#) [09061486901840](#)
[09185107324800](#) [102A10019X](#)