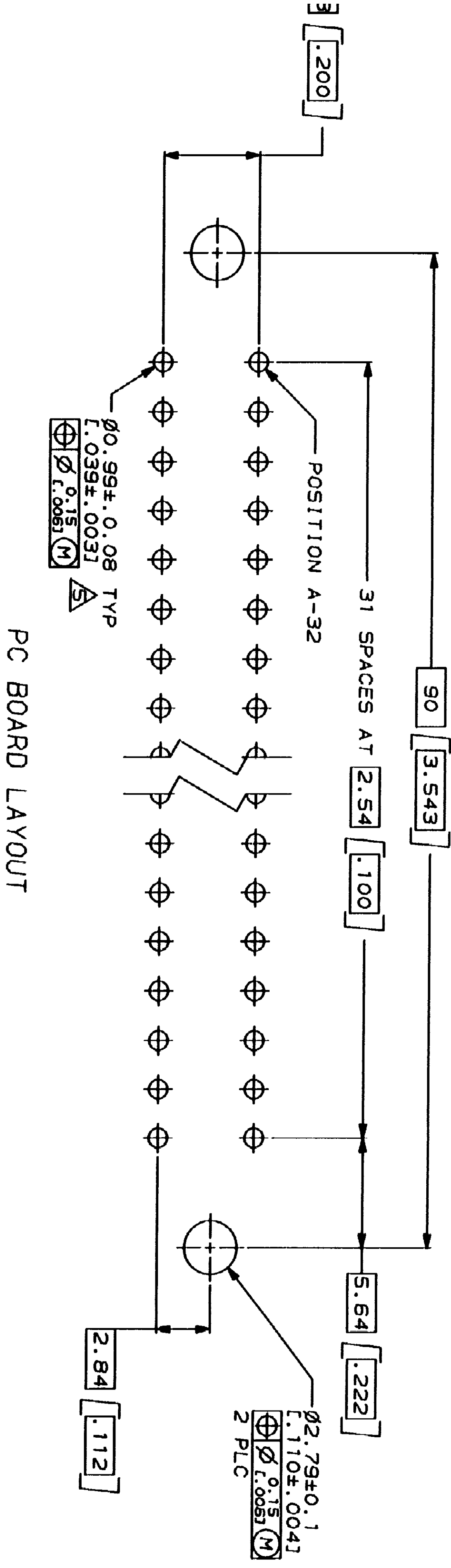
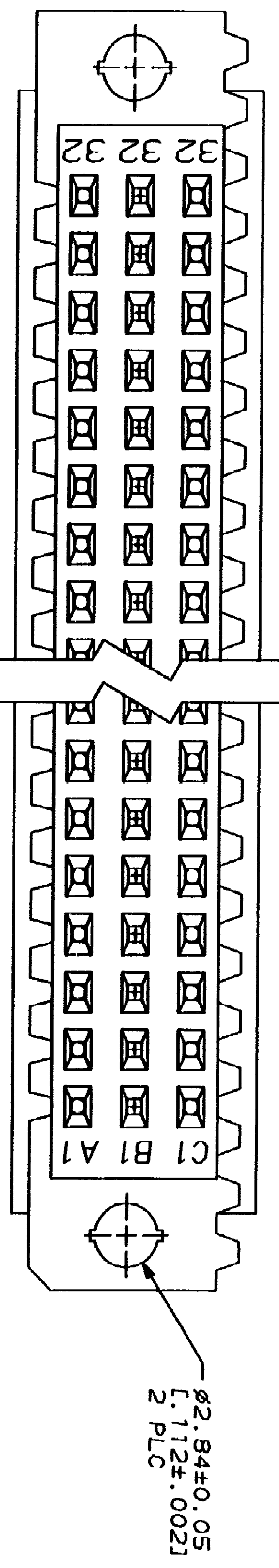
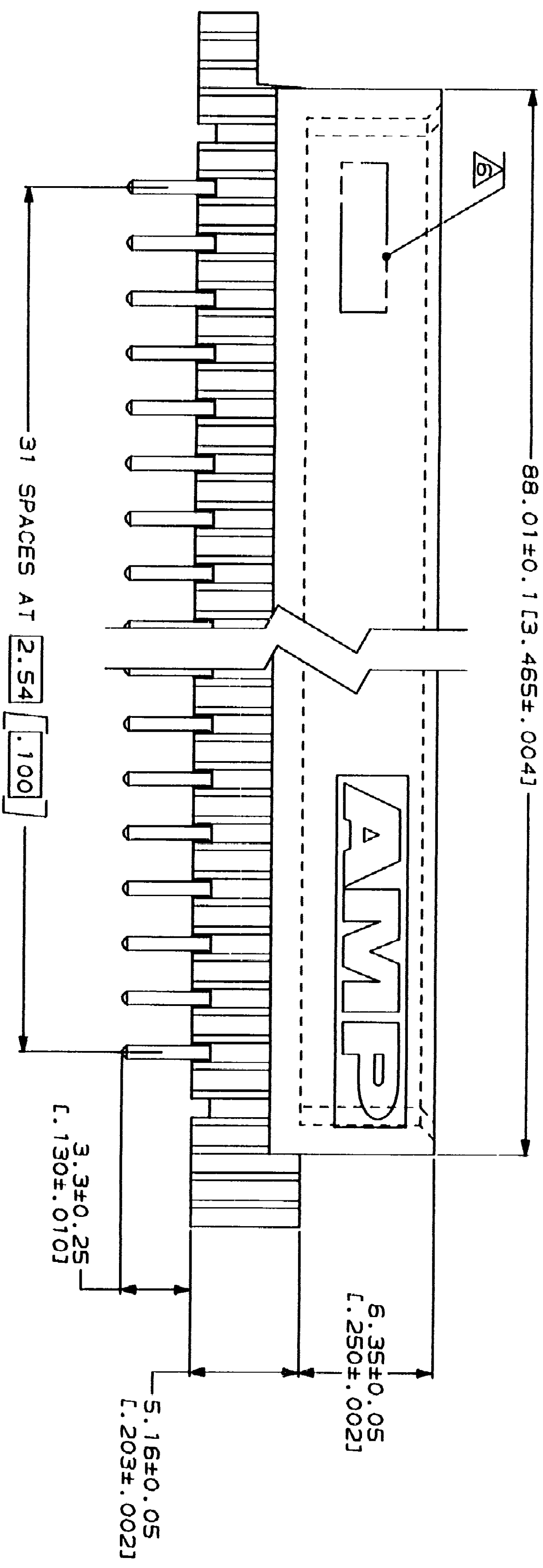
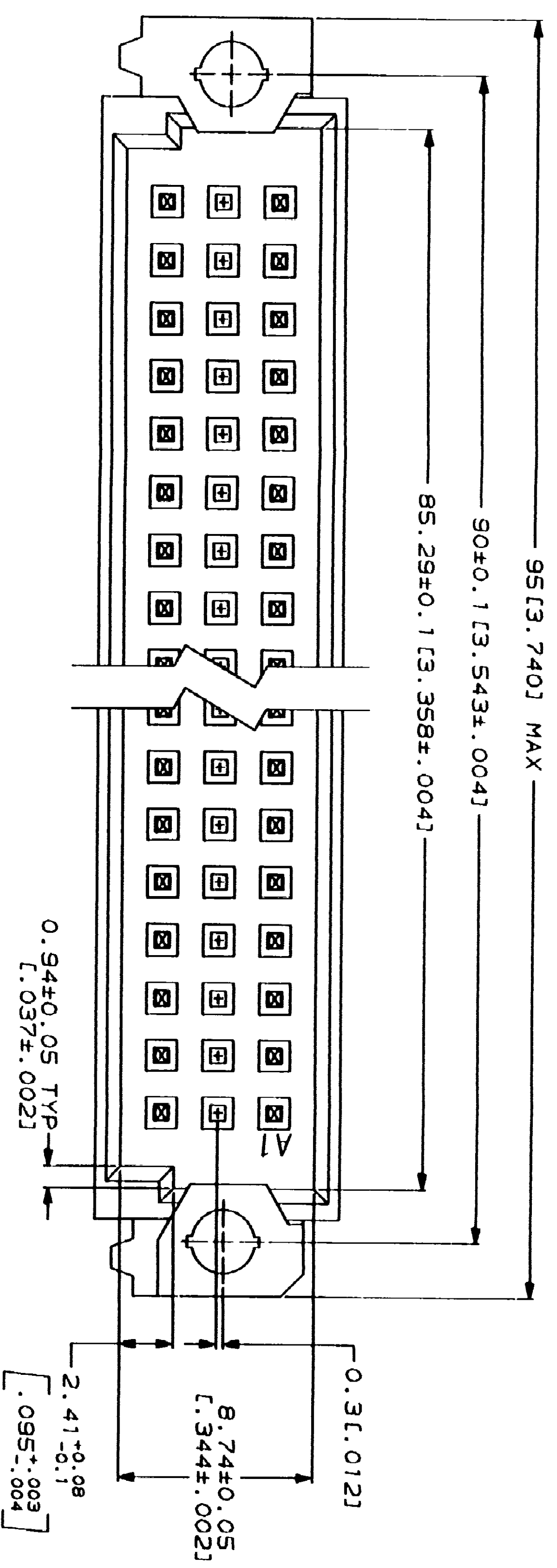


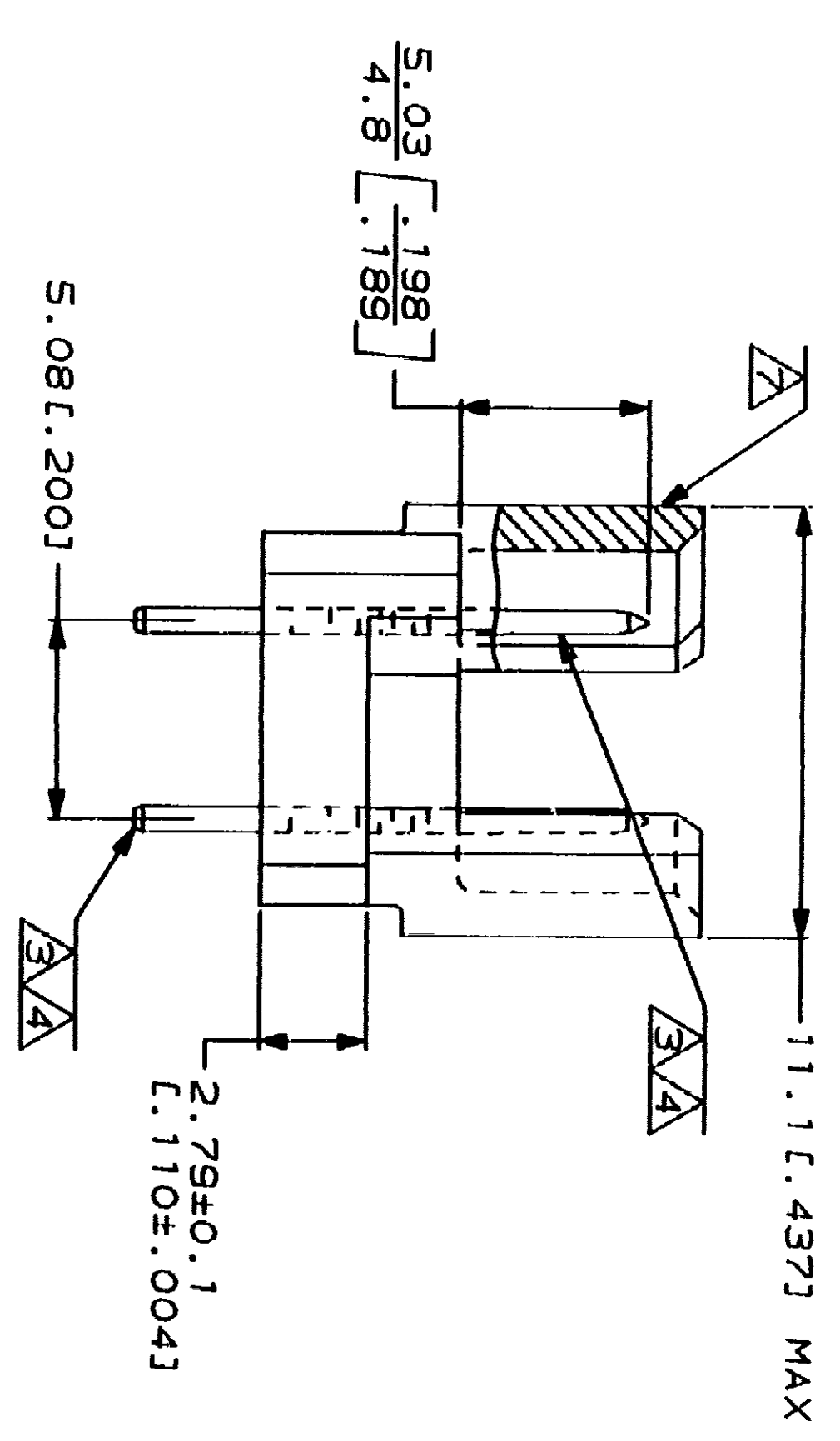
DATE	APPD
11/14/91	LSB
12/26/91	LSB
6/2/92	LSB
11/2/93	LSB
3/25/94	LSB

PROJECTION
 RELEASED FOR PUBLICATION
 BY AMP CORPORATION. ALL INFORMATION BEING FURNISHED.



REV	DATE	BY	DESCRIPTION
0			DRAWN
B			ECN AD5586, AD5640
C			ECN AD5676
D			ECN AD5671
E			ECN AD6256
F			EC 0010-1559-93
G			EC 0010-0436-94

- △ HOUSING MATERIAL: GLASS-FILLED POLYESTER. COLOR: GRAY.
- △ POST MATERIAL: BRASS.
- △ POST FINISH: DIN 41612 CLASS 3 IN CONTACT AREA.
- △ TIN-LEAD PLATE ON POSTS.
- △ POST FINISH: DIN 41612 CLASS 2 IN CONTACT AREA.
- △ TIN-LEAD PLATE ON POSTS.
- △ RECOMMENDED HOLE SIZE FOR MANUAL APPLICATION OF CONNECTOR ONTO PC BOARD.
- △ [PART NUMBER, DATE CODE] MARKED THIS APPROXIMATE AREA.
- △ MARKING ON THIS SIDE.



SUPERSEDED BY 650933-5

REV	DATE	BY	DESCRIPTION
A	1-32		X - X X 64
			X - X X 64

DO NOT SCALE PRINT.	OR	DATE	NAME
UNLESS SPECIFIED (DIMENSIONS IN MILLIMETERS)	L. BRINER	3/18/91	AMP
1 P.L.C. DEC ± 0.131 (0.005)	D.C. RUBENDALL	3/26/91	AMP
2 P.L.C. DEC ± 0.131 (0.005)	D.C. RUBENDALL	3/26/91	AMP
MATERIAL HSG	K.R. PARTNER	3/26/91	AMP
POST			

FINISH	POST	SIZE	CAGE CODE	DRAWING NO
POST	△△	D	00779	650
		SCALE	5:1	SHEET

CUSTOMER

REV	DATE	BY	DESCRIPTION
0933-9			
0933-5			
05-3608			

RAWING

X-ON Electronics

Largest Supplier of Electrical and Electronic Components

Click to view similar products for [DIN 41612 Connectors](#) category:

Click to view products by [TE Connectivity](#) manufacturer:

Other Similar products are found below :

[004.767](#) [608489050008049](#) [691327-1](#) [74670-0732](#) [74680-0340](#) [75880-0015](#) [76453-0014](#) [86093159ALF](#) [9732967801](#) [QLC260R](#)
[120X10019X](#) [120X10089X](#) [122A10249X](#) [122A11089X](#) [122A13089X](#) [122A10089X](#) [122A10129X](#) [122A10349X](#) [122A13359X](#) [1377391-4](#)
[DIN-048CPC-SR1-MH](#) [1393583-2](#) [1393726-7](#) [140X10129X](#) [143-1913-000](#) [143-1908-000](#) [1484472-1](#) [2110070-1](#) [2110070-2](#) [CBC20T00-](#)
[008FDS5-0-1-002VR](#) [172699-5036](#) [2-1393557-4](#) [2-1437084-2](#) [394506](#) [419-2080-402](#) [V42254B2202C968](#) [419-2086-201](#) [419-2087-002](#)
[448657-1](#) [448847-3](#) [5-1393755-9](#) [02990000004](#) [054302](#) [043556](#) [09062483201750](#) [0850033067](#) [09031646555](#) [09061486901840](#)
[09185107324800](#) [102A10019X](#)