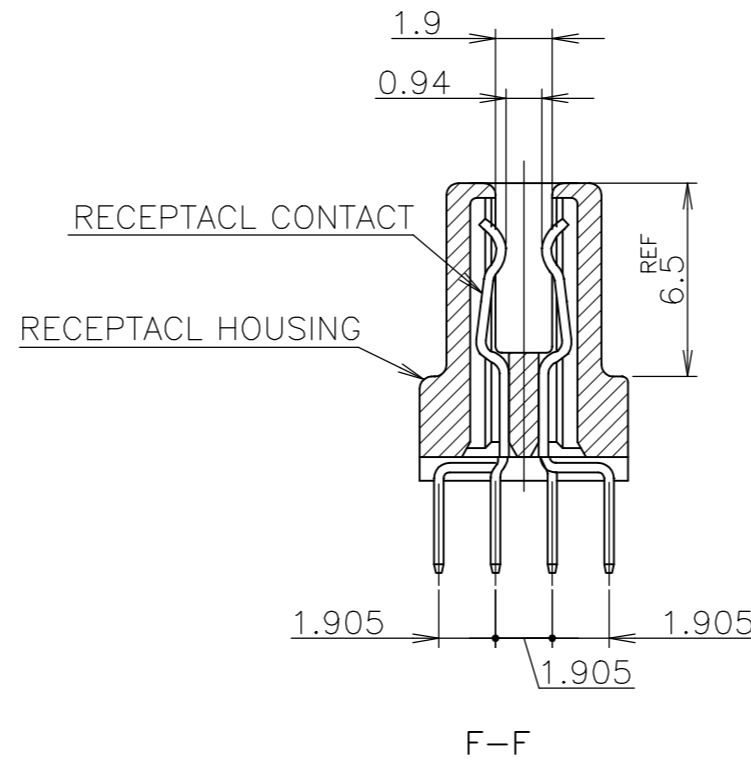
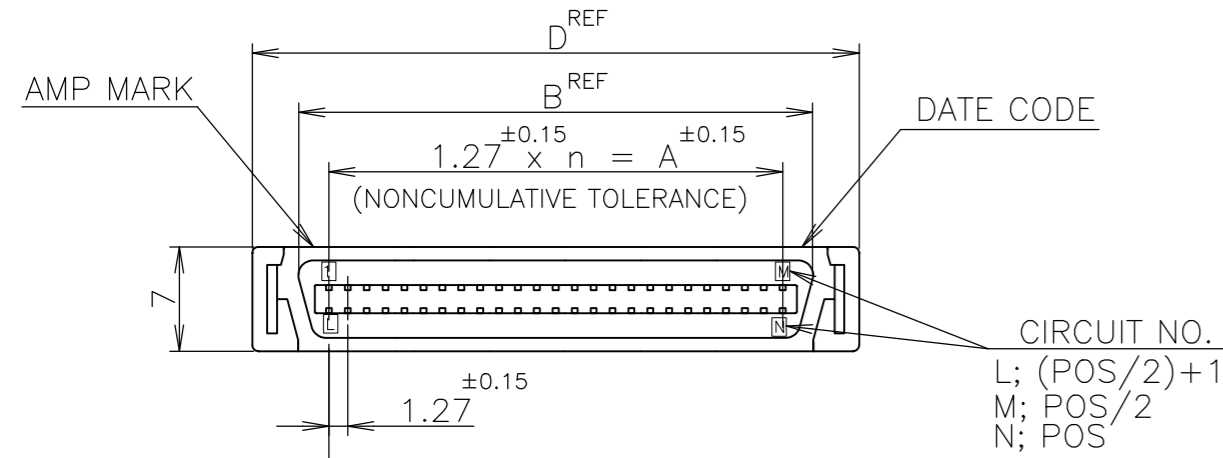
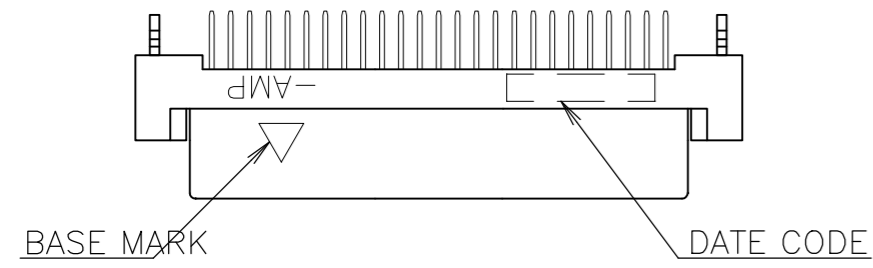
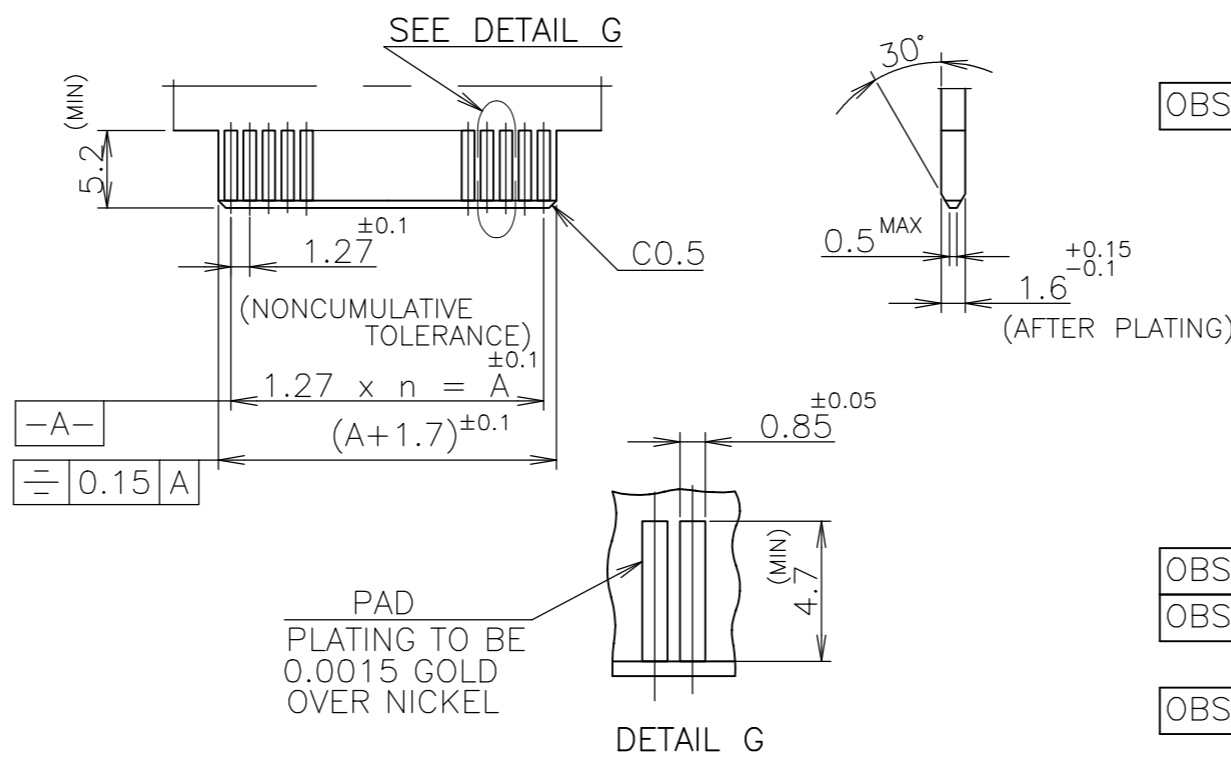
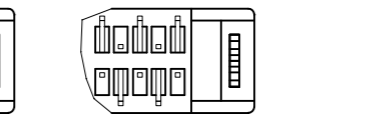
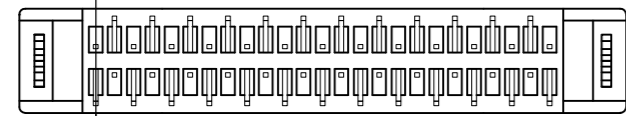
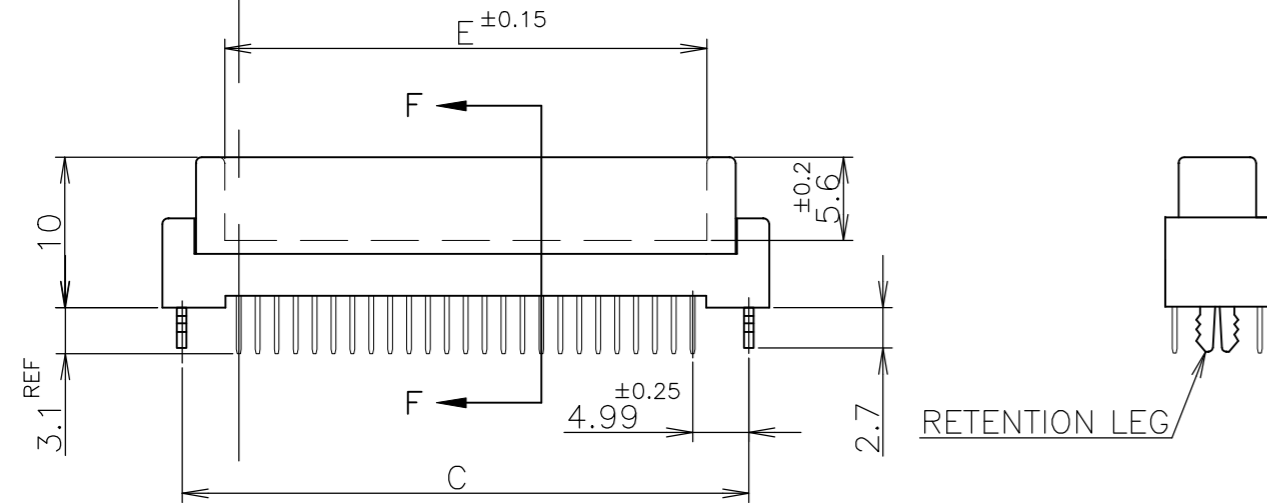


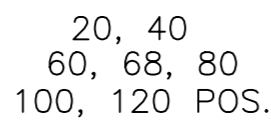
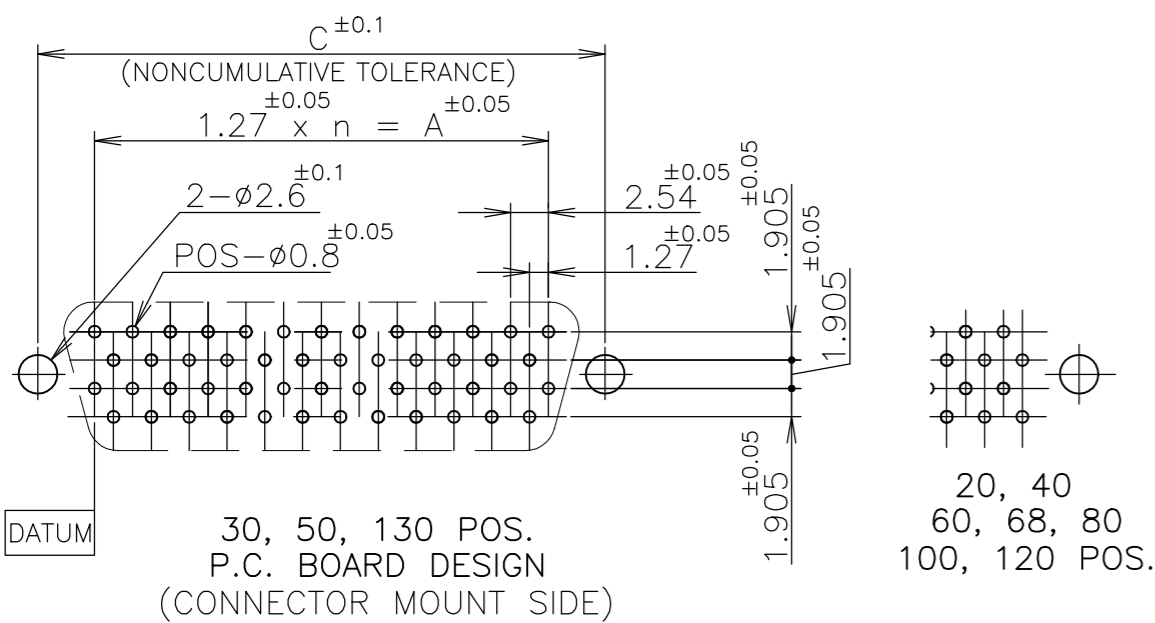
REVISIONS					
P	LTR	DESCRIPTION	DATE	DWN	APVD
C		REVISED PER ECO-17-008763	22JAN2018	RG	SH



- 1 NUMBER "n" IS COUNTED FROM DATUM (CIRCUIT NO.1 IS "AMP" MARK SIDE.)
- 2 MATERIAL: HOUSING, 66 NYLON (GF) UL 94V-0, BLACK.
: CONTACT, PHOSPHOR BRONZE.
: RETENTION LEG; BRASS.
- 3 FINISH: CONTACT; Au AT CONTACT AREA (SEE TABLE),
TIN AT TINE, OVER Ni.
RETENTION LEG; TIN UNDER Ni.
- 4 P.C. BOARD THK MUST BE 1.6 ±0.15 FOR CARD EDGE CONNECTOR



RECOMMENDED P.C. BOARD DIMENSIONS.



POS	PLC	CONTACT	RETEN LEG	FINISH	THK	WGT	PRICE	PRICE	PRICE	PRICE	PRICE
6-	-2				130	64	81.28	86.82	91.25	93.90	83.18
6-	-1				120	59	74.93	80.47	84.90	87.55	76.83
6-	-0				100	49	62.23	67.77	72.20	74.85	64.13
5-	-9				80	39	49.53	55.07	59.50	62.15	51.43
5-	-8				68	33	41.91	47.45	51.88	54.53	43.81
5-	-7				60	29	36.83	42.37	46.80	49.45	38.73
5-	-6				50	24	30.48	36.02	40.45	43.10	32.38
5-	-5				40	19	24.13	29.67	34.10	36.75	26.03
5-	-3				30	14	17.78	23.32	27.75	30.40	19.68
5-	-1	0.00076			20	9	11.43	16.97	21.40	24.05	13.33
4-	-2				130	64	81.28	86.82	91.25	93.90	83.18
4-	-1				120	59	74.93	80.47	84.90	87.55	76.83
4-	-0				100	49	62.23	67.77	72.20	74.85	64.13
3-	-9				80	39	49.53	55.07	59.50	62.15	51.43
3-	-8				68	33	41.91	47.45	51.88	54.53	43.81
3-	-7				60	29	36.83	42.37	46.80	49.45	38.73
3-	-6				50	24	30.48	36.02	40.45	43.10	32.38
3-	-5				40	19	24.13	29.67	34.10	36.75	26.03
3-	-3				30	14	17.78	23.32	27.75	30.40	19.68
3-	-1	0.0005			20	9	11.43	16.97	21.40	24.05	13.33
1-	-2				130	64	81.28	86.82	91.25	93.90	83.18
1-	-1				120	59	74.93	80.47	84.90	87.55	76.83
1-	-0				100	49	62.23	67.77	72.20	74.85	64.13
	-9				80	39	49.53	55.07	59.50	62.15	51.43
	-8				68	33	41.91	47.45	51.88	54.53	43.81
	-7				60	29	36.83	42.37	46.80	49.45	38.73
	-6				50	24	30.48	36.02	40.45	43.10	32.38
	-5				40	19	24.13	29.67	34.10	36.75	26.03
	-3				30	14	17.78	23.32	27.75	30.40	19.68
5175475-1		0.0002			20	9	11.43	16.97	21.40	24.05	13.33
PART NO.	Au PLATE	POS.	n	A	B	C	D	E			

THIS DRAWING IS A CONTROLLED DOCUMENT.

DWN: Jylyee Zhu 20AUG2004
CHK: Steven Yao 20AUG2004
APVD: Ikuo Enomoto 20AUG2004

NAME: TE Connectivity Ltd.
AMP CHAMP .050 CONNECTOR(B-T-B)
RECEPTACLE CONNECTOR
VERTICAL WITH RETENTION LEG

PRODUCT SPEC: 108-60038
APPLICATION SPEC

WEIGHT: 0.000000
SCALE: NTS
SHEET: 1 of 1
REV: C

SIZE: A2
CAGE CODE: 00779
DRAWING NO: 5175475

CUSTOMER DRAWING

GENERAL TOLERANCE
10 ≥ : ±0.2
30 > 10: ±0.25
100 ≥ > 30: ±0.3
ANGLES: ±3°

LEAD FREE

X-ON Electronics

Largest Supplier of Electrical and Electronic Components

Click to view similar products for [Board to Board & Mezzanine Connectors](#) category:

Click to view products by [TE Connectivity](#) manufacturer:

Other Similar products are found below :

[10135583-642402LF](#) [89885-310LF](#) [589158040000018](#) [6-1393048-0](#) [68683-613](#) [MDF7-12DP-2.54DSA](#) [MDF7-18P-2.54DSA\(01\)](#) [MDF7-20DP-2.54DSA](#) [MDF7-26D-2.54DSA\(55\)](#) [MDF7-3P-2.54DSA\(01\)](#) [MDF7B-20P-2.54DSA\(01\)](#) [MDF7B-3P-2.54DSA\(55\)](#) [MDF7C-18P-2.54DSA\(55\)](#) [MDF7P-5P-2.54DSA\(55\)](#) [75234-0516](#) [FCN-230C068-11](#) [FCN-268F012-G/BD](#) [FCN-268F036-G/BD](#) [FCN-268M012-G/0D](#) [FCN-268M024-G/1D](#) [FCN-360C008-C](#) [FCN-723J004/1](#) [MIS-048-01-F-D-DP-K](#) [832-10-034-10-001000](#) [93696-325LF](#) [11828-1FA](#) [AXK630345P](#) [18097-0013](#) [2007042-2](#) [304400-2](#) [FCN-214Q030-G/0](#) [FCN-215Q040-G/0](#) [FCN-230C068-ESA](#) [FCN-234P048-G/0](#) [FCN-235D050-G/C](#) [FCN-360A3](#) [FCN-360C040-B](#) [210-93-314-41-105000](#) [2-22603-0](#) [379-064-521-202](#) [MDF7-12P-2.54DSA\(01\)](#) [MDF7-16P-2.54DS\(56\)](#) [MDF7-16P-2.54DSA\(55\)](#) [MDF7-40DP-2.54DSA\(55\)](#) [MDF7-8P-2.54DSA\(55\)](#) [AXG720047](#) [5031084030](#) [55323-1519](#) [DF33-2P-3.3DSA\(24\)](#) [DF33-2S-3.3C](#)