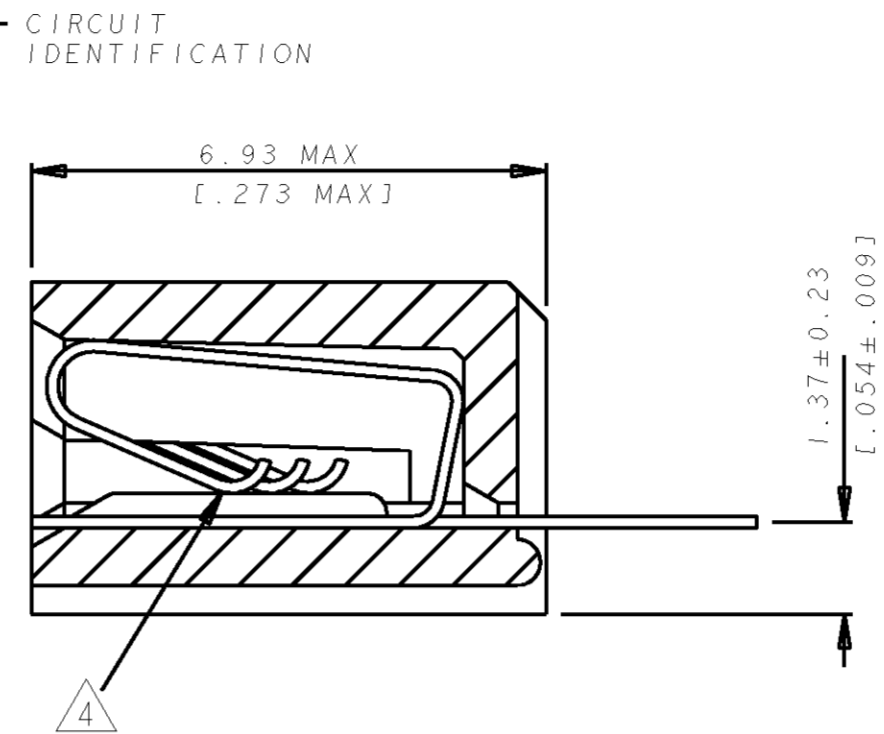
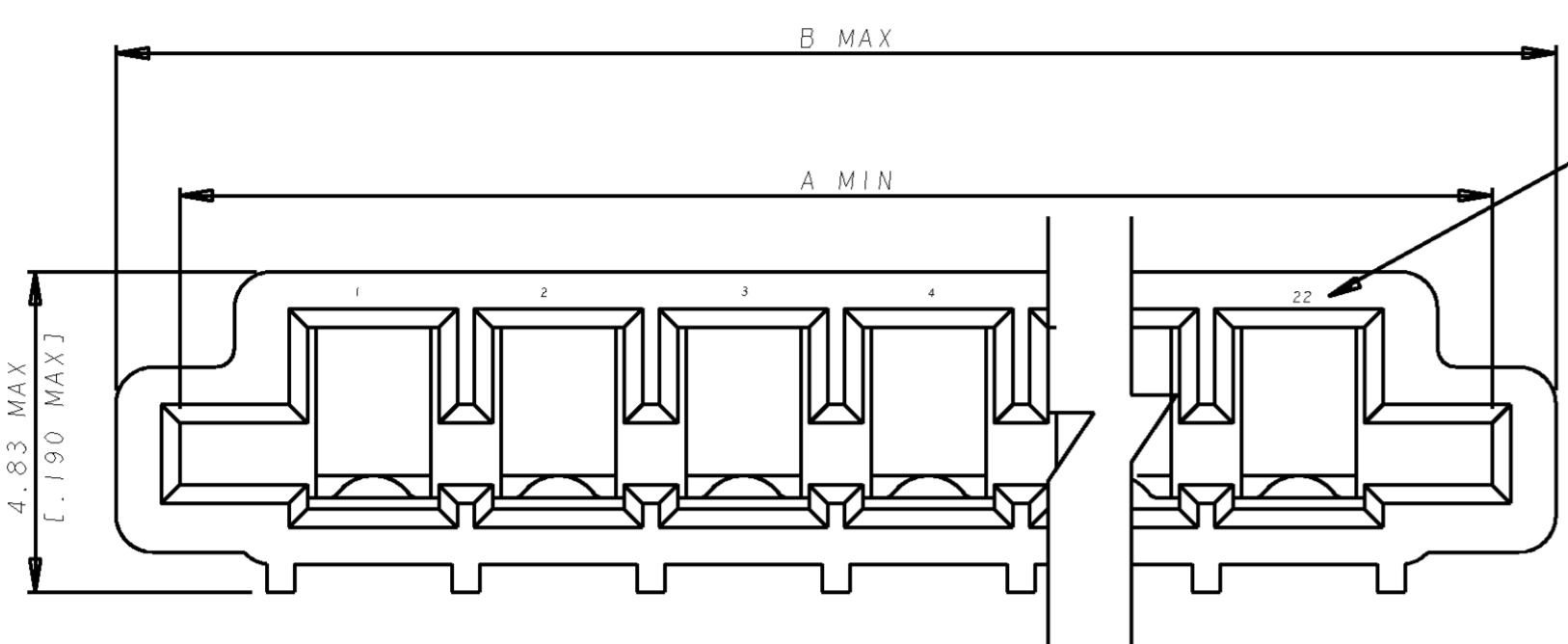


NUMBER 520415

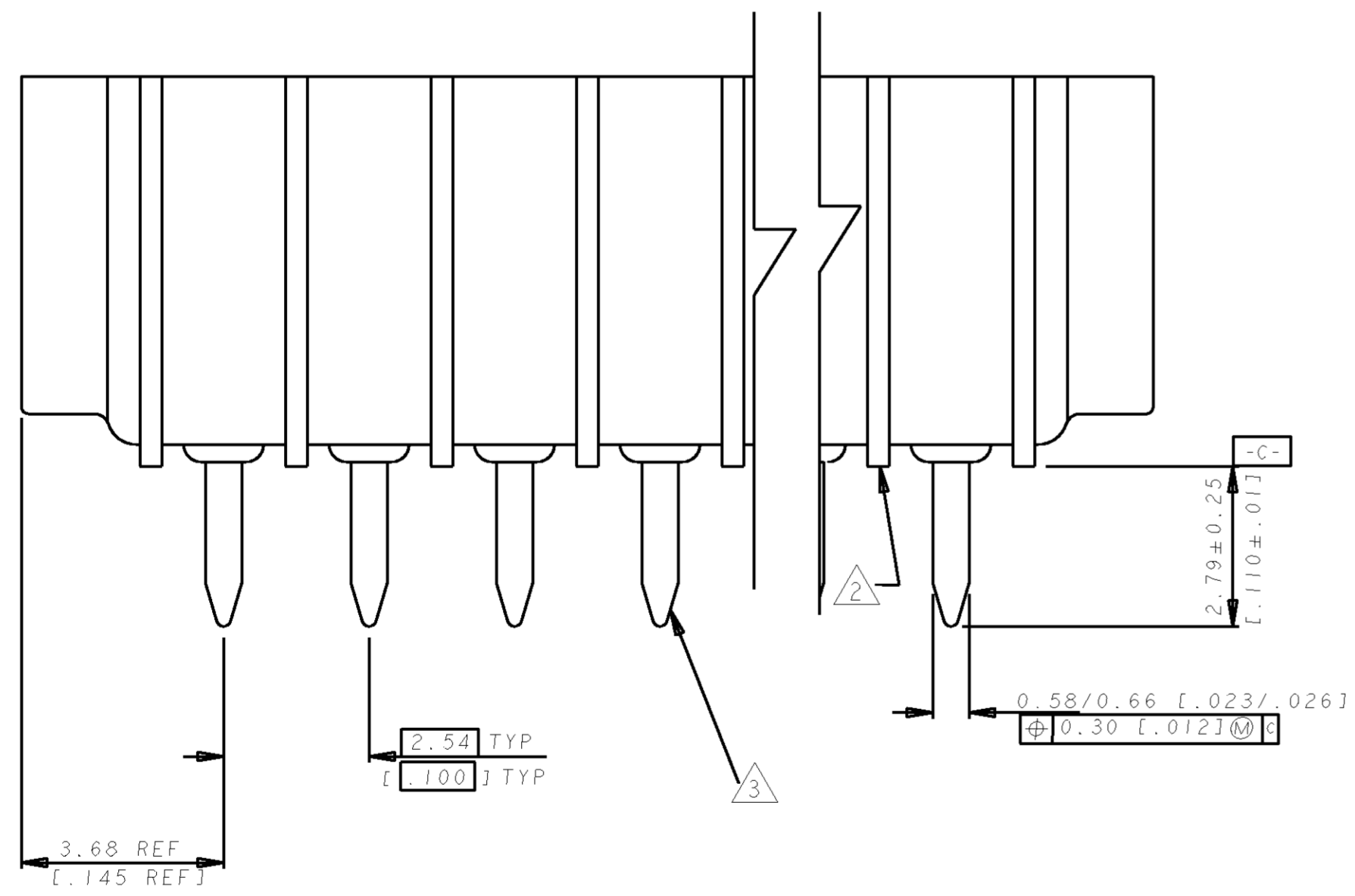


METRIC



NOTES

- 1 CONNECTOR WILL ACCEPT FLEXIBLE PRINTED CIRCUIT OR FLAT FLEXIBLE CABLE ON 2.54 [100] CENTERS IN A THICKNESS RANGE OF 0.127 TO 0.381 [0.005 TO .015] IN CONTACT AREA
- 2 STAND-OFFS PREVENT SOLVENT ENTRAPMENT
- 3 CONTACTS BRIGHT TIN PLATED
- 4 SEQUENTIAL CONTACTS REDUCE CABLE INSERTION FORCE
- 5 ACCEPTS CABLE OR CIRCUITRY WITH EXPOSED CONDUCTORS FACING TOWARD OR AWAY FROM THE BOARD SURFACE
- 6 REFER TO APPLICATION SPEC 114-2062
- 7 MATERIAL
HOUSING : GLASS REINFORCED POLYESTER THERMOPLASTIC UL 94 VO RATED, BLACK
CONTACT : PHOS BRONZE WITH MATTE TIN FINISH
- 8 OBSOLETE PARTS: OBSOLETE CIS STREAMLINING PER D.RENAUD/D.SINISI



	LEAD FREE				SUPERSEDED	
	PART NO.	B	A	POS	PART NO	
OBSOLETE	7-520415-2	60.78 [2.393]	58.57 [2.306]	22	2-520415-2	
OBSOLETE	7-520415-1	58.24 [2.293]	56.03 [2.206]	21	2-520415-1	
OBSOLETE	7-520415-0	55.70 [2.193]	53.49 [2.106]	20	2-520415-0	
OBSOLETE	6-520415-9	53.16 [2.093]	50.95 [2.006]	19	1-520415-9	
OBSOLETE	6-520415-8	50.62 [1.993]	48.41 [1.906]	18	1-520415-8	
OBSOLETE	6-520415-7	48.08 [1.893]	45.87 [1.806]	17	1-520415-7	
OBSOLETE	6-520415-6	45.54 [1.793]	43.33 [1.706]	16	1-520415-6	
OBSOLETE	6-520415-5	43.00 [1.693]	40.79 [1.606]	15	1-520415-5	
OBSOLETE	6-520415-4	40.46 [1.593]	38.25 [1.506]	14	1-520415-4	
OBSOLETE	6-520415-3	37.92 [1.493]	35.71 [1.406]	13	1-520415-3	
OBSOLETE	6-520415-2	35.38 [1.393]	33.17 [1.306]	12	1-520415-2	
OBSOLETE	6-520415-1	32.84 [1.293]	30.63 [1.206]	11	1-520415-1	
OBSOLETE	6-520415-0	30.30 [1.193]	28.09 [1.106]	10	1-520415-0	
OBSOLETE	5-520415-9	27.76 [1.093]	25.55 [1.006]	9	520415-9	
OBSOLETE	5-520415-8	25.22 [.993]	23.01 [.906]	8	520415-8	
OBSOLETE	5-520415-7	22.68 [.893]	20.47 [.806]	7	520415-7	
OBSOLETE	5-520415-6	20.14 [.793]	17.93 [.706]	6	520415-6	
OBSOLETE	5-520415-5	17.60 [.693]	15.39 [.606]	5	520415-5	
OBSOLETE	5-520415-4	15.06 [.593]	12.85 [.506]	4	520415-4	
OBSOLETE	5-520415-3	12.52 [.493]	10.31 [.406]	3	520415-3	
OBSOLETE	5-520415-2	9.98 [.393]	7.77 [.306]	2	520415-2	

DIMENSIONS IN MM [INCHES]. DO NOT SCALE PRINT

PRINT DIST

Copyright © 1993 TE MFG (S) PTE LTD. ALL RIGHTS RESERVED

TE TE Connectivity

P3	ECR-10-022530	KK	HMR	19FEB11																
P2	REVISED PER ECO-09-026346	KK	AEG	16NOV09																
P1	REVISED ECR-06-004332	PM	KS	21FEB09																
P	REVISED FROM-0028-05	CS	PCH	1-MAR-05	(MATERIAL)	7	(FINISH) CONTACTS	MATTE TIN PLATED	(NAME)	TRIO-MATE	VERTICAL CABLE ENTRY	FOR 2.36[.093] THK P.C. BOARD	(GENERAL TOLERANCE)	±0.38	SIZE	A2	LOC	DY	(No.)	520415
N	REVISED FROM-0011-04	SD	PCH	19-FEB-04	DR.	9.30.93	DE.	A. SOH	(SCALE)	±0.15	10:1	REV.	P3	SHEET	1	OF	1			
M	REDRAWN BY/EC/	LWY	SL	9.30.93	DR.	9.30.93	DE.	PETER de JONG												
LTR	(REVISION RECORD)	DR	CHK	DATE	CHK.	9.30.93	APP.	PETER de JONG												

CUSTOMER DRAWING

X-ON Electronics

Largest Supplier of Electrical and Electronic Components

Click to view similar products for [FFC & FPC Connectors](#) category:

Click to view products by [TE Connectivity](#) manufacturer:

Other Similar products are found below :

[HFW11R-1STE1H1LF](#) [FH29B-100S-0.2SHW\(99\)](#) [FA5S008HP1](#) [FH29B-120S-0.2SHW\(99\)](#) [FH29B-80S-0.2SHW\(99\)](#) [FHS-16](#) [FPH-2022G](#)
[52610-1075](#) [52610-1275](#) [52610-1934](#) [XF3M\(1\)-1415-1B-R100](#) [501864-3091-TR225](#) [0525594033](#) [086210010340800](#) [086222026001800](#)
[52271-2869-CUT-TAPE](#) [62674-201121DLF](#) [62684-36210E9ALF](#) [52610-1675](#) [52746-1671-TR250](#) [10051922-2810EHLF](#) [6-520415-9](#)
[BD021-09A-A1-0350-0200-0550-LD](#) [SFV6R-1STE9HLF](#) [XF3M-2915-1B-R100](#) [1658549-1](#) [62674-221121ALF](#) [46214008010800](#)
[046298003000883](#) [151660622](#) [842-816-2630-035](#) [AYF530665TA](#) [AYF351525](#) [046296011930846+](#) [AYF352325A](#) [046254020000800+](#)
[FH19C-13S-0.5SH\(99\)](#) [FH39J-51S-0.3SHW\(99\)](#) [AYF355125A](#) [AYF530365TA](#) [FH29B-44S-0.2SHW\(99\)](#) [SFW5R-2STAE9LF](#) [AYF351125A](#)
[AYF350725A](#) [62684-502100AHLF](#) [FH39-61S-0.3SHW\(99\)](#) [AYF414035A](#) [10064555-172520HLF](#) [AYF212335A](#) [504754-2500](#)