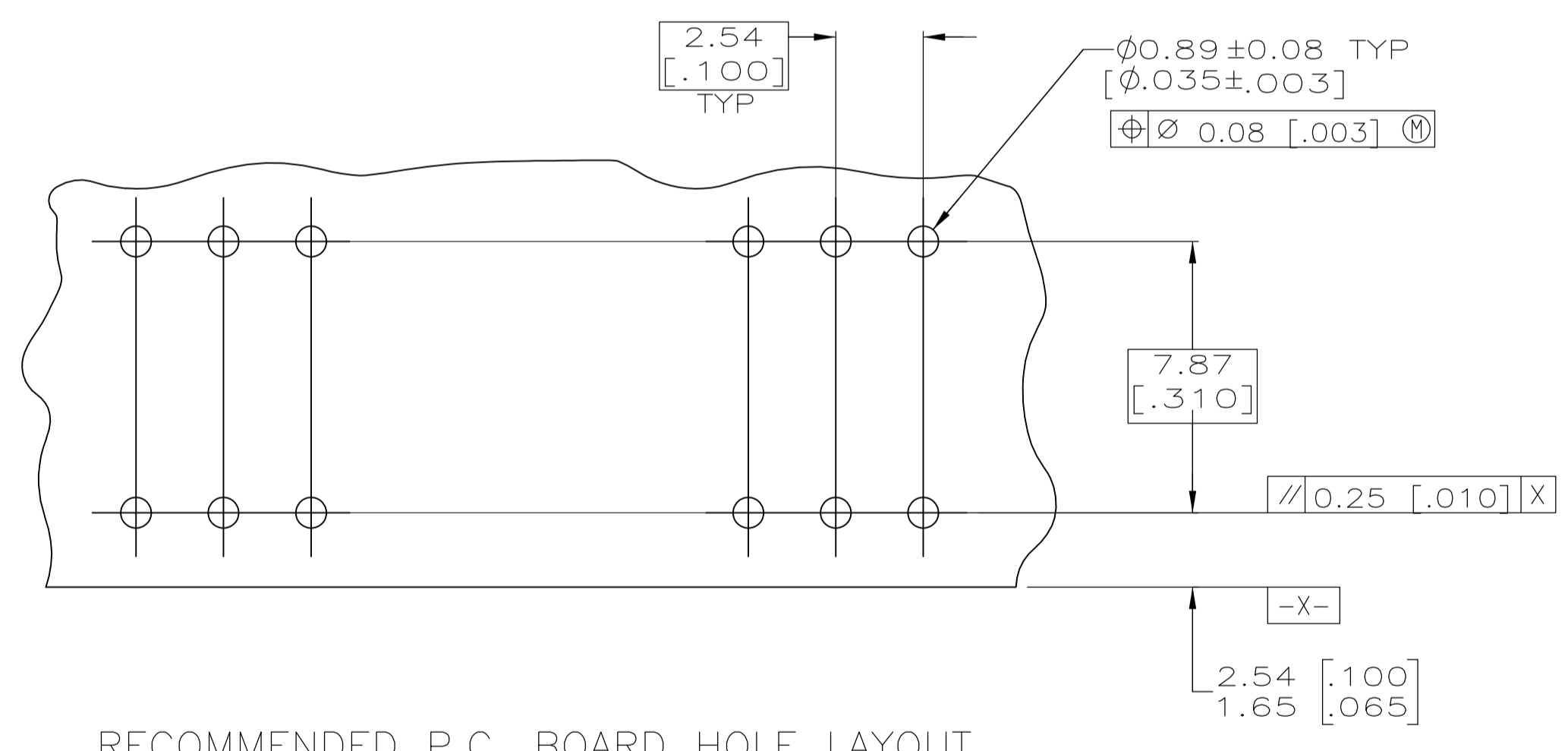
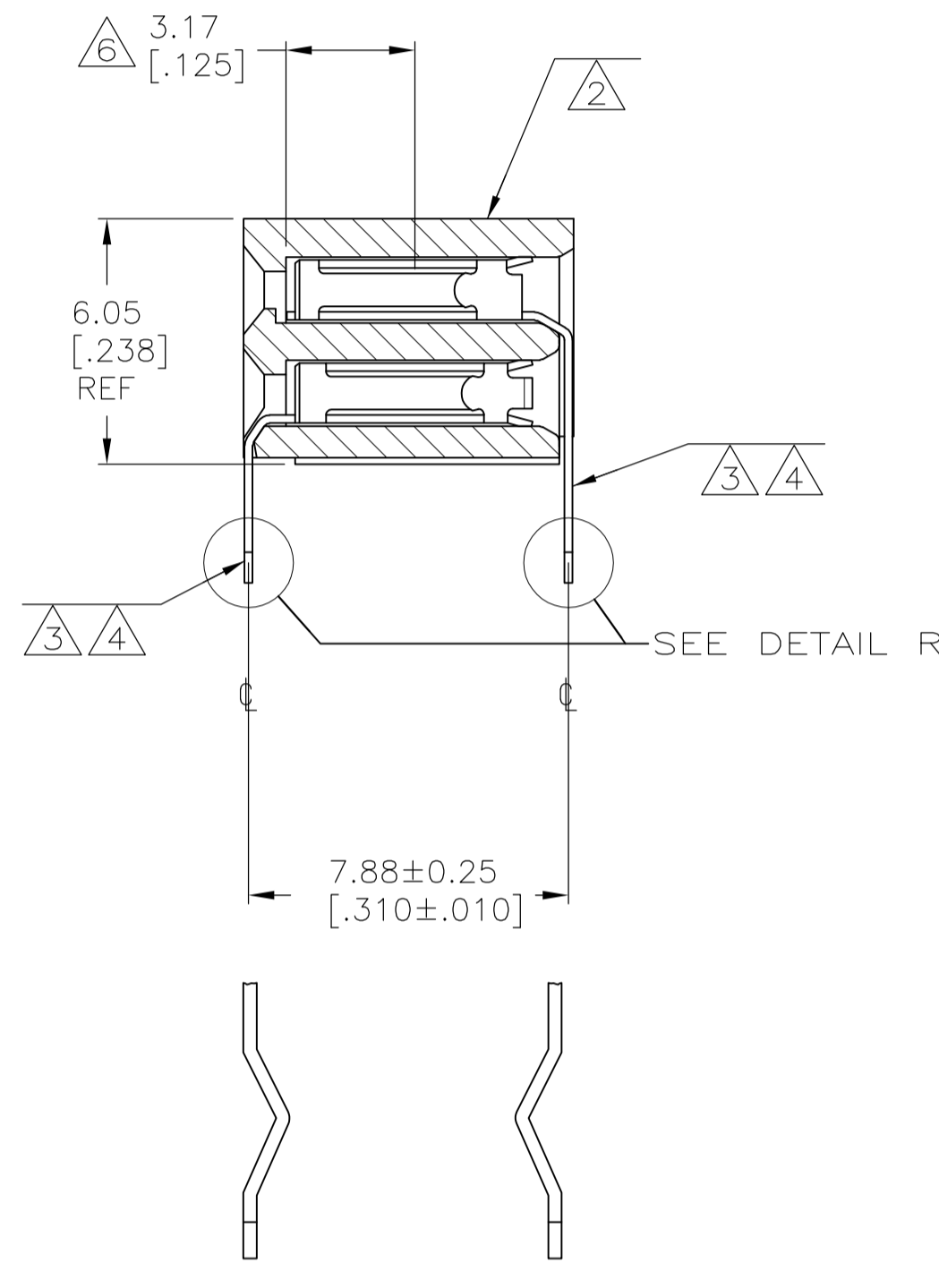
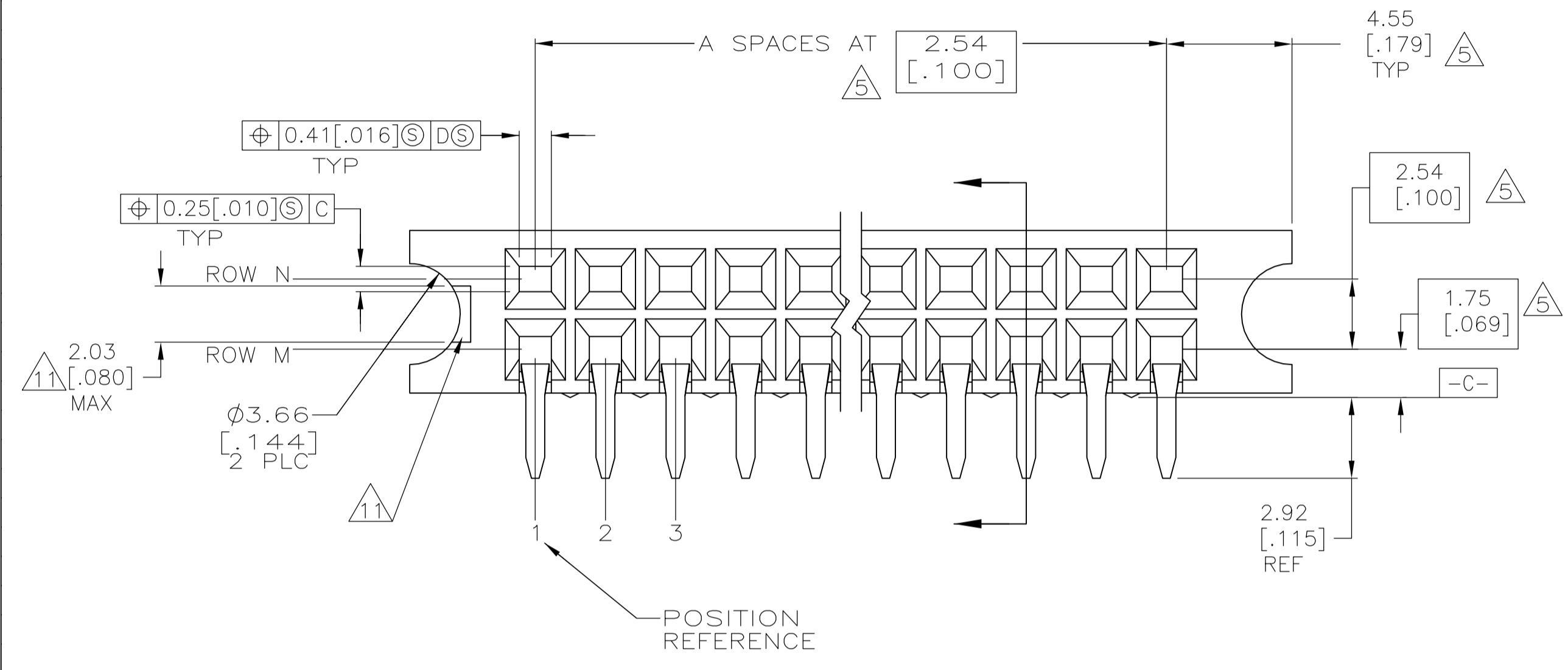
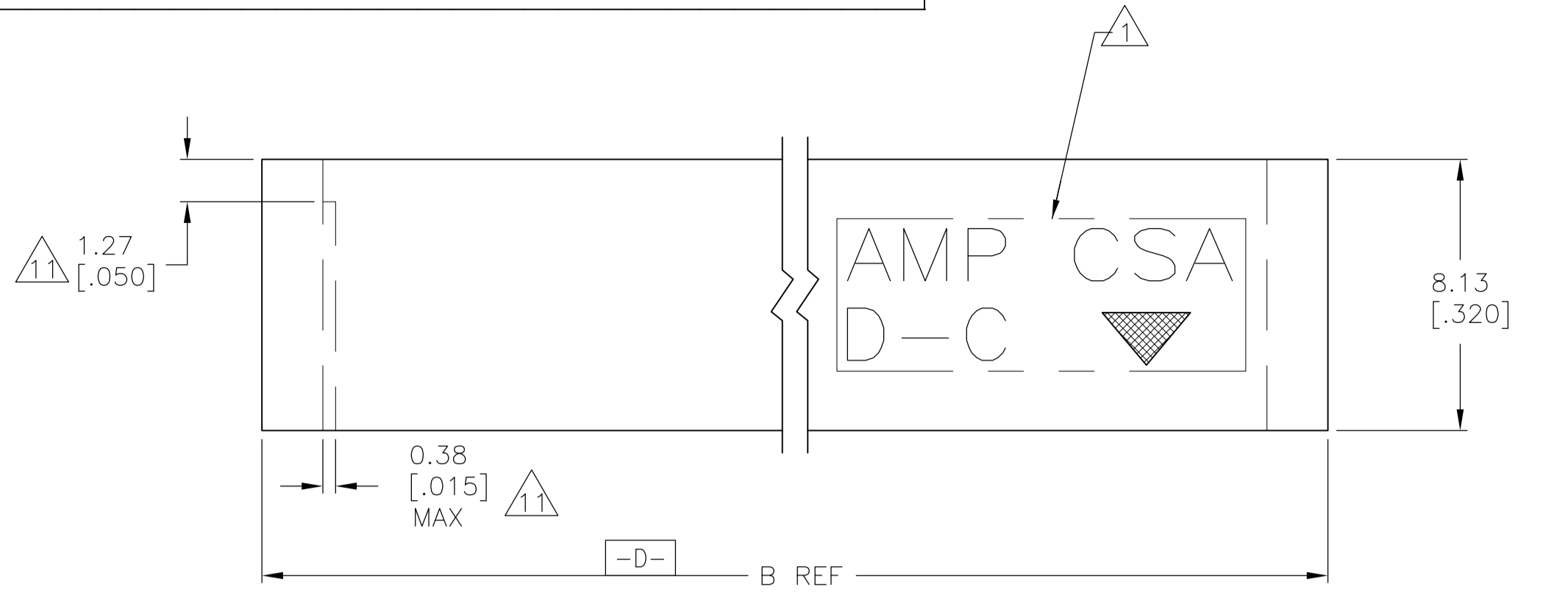


REVISONS		DATE	BY	APPV
S4	REVISED PER ECO-11-004587	11MAR11	RK	HMR



RECOMMENDED P.C. BOARD HOLE LAYOUT

- 1 "AMP", "CSA", "D-C" AND "DATE CODE" WITH .062 ±0.015 HIGH CHARACTERS WHERE SIZE PERMITS.
- 2 HOUSING: 1-70 POSITION SIZES MAY BE PPS, GLASS-FILLED OR PCT, GLASS-FILLED, POSITION SIZES GREATER THAN 70 WILL BE PPS, GLASS-FILLED.
- 3 CONTACT: PHOSPHOR BRONZE.
- 4 CONTACT FINISH: DUPLEX PLATED 0.00076 [0.00030] GOLD IN CONTACT AREA, 0.00127-0.00254 [0.00050-0.00100] BRIGHT TIN-LEAD ON SOLDER TAILS, ALL OVER 0.00127 [0.00050] NICKEL.
- 5 THESE DIMENSIONS PERTAIN TO CAVITY C'S ONLY, NOT TO CONTACT LOCATIONS.
- 6 POINT OF MEASUREMENT FOR PLATING THICKNESS (INSIDE CONTACT BEAMS).
- 7. CSA LOGO INK STAMPED WHITE ON HOUSING.
- 8 PRELIMINARY PART - NOT RELEASED FOR PRODUCTION
- 9 CONTACT FINISH: DUPLEX PLATED 0.00076 [0.00030] GOLD IN CONTACT AREA, 0.00127-0.00254 [0.00050-0.00100] MATTE TIN ON SOLDER TAILS, ALL OVER 0.00127 [0.00050] NICKEL.
- 10 ROHS 2002/95/EC COMPLIANT.
- 11 RECESSED AREA AROUND MOLD GATE IS OPTIONAL. THIS FEATURE IS ALLOWABLE ON EITHER SIDE OF HOUSING OR MAY NOT BE PRESENT AT ALL.
- 12 OBSOLETE PARTS: OBSOLETE CIS STREAMLINING PER D.RENAUD/D.SINISI

REV	DESCRIPTION	DATE	BY	APPV			
12	OBSOLETE	1, 4	1, 4	16.71 [0.658]			
12	OBSOLETE	1, 3	1, 3	14.17 [0.558]			
12	OBSOLETE	1, 2, 50, 51, 99, 100	1, 2, 50, 51, 99, 100	260.55 [10.258]			
12	OBSOLETE	1, 2, 40, 41, 79, 80	1, 2, 40, 41, 79, 80	209.75 [8.258]			
12	OBSOLETE	1, 2, 35, 36, 69, 70	1, 2, 35, 36, 69, 70	184.35 [7.258]			
12	OBSOLETE	1, 2, 32, 33, 64, 65	1, 2, 32, 33, 64, 65	171.65 [6.758]			
12	OBSOLETE	1, 2, 27, 28, 54, 55	1, 2, 27, 28, 54, 55	146.25 [5.758]			
12	OBSOLETE	1, 2, 47, 48	1, 2, 47, 48	128.47 [5.058]			
12	OBSOLETE	1, 2, 35, 36	1, 2, 35, 36	97.99 [3.858]			
12	OBSOLETE	1, 2, 34, 35	1, 2, 34, 35	95.45 [3.758]			
12	OBSOLETE	1, 2, 19, 20	1, 2, 19, 20	57.35 [2.258]			
12	OBSOLETE	1, 2, 11, 12	1, 2, 11, 12	37.03 [1.458]			
12	OBSOLETE	1, 2, 7, 8	1, 2, 7, 8	26.87 [1.058]			
12	OBSOLETE	1, 2, 9, 10	1, 2, 9, 10	31.95 [1.258]			
12	OBSOLETE	1, 2, 39, 40	1, 2, 39, 40	108.15 [4.258]			
12	OBSOLETE	1, 2, 30, 31, 59, 60	1, 2, 30, 31, 59, 60	158.95 [6.258]			
12	OBSOLETE	1, 2, 25, 26, 49, 50	1, 2, 25, 26, 49, 50	133.55 [5.258]			
12	OBSOLETE	1, 2, 29, 30	1, 2, 29, 30	82.75 [3.258]			
12	OBSOLETE	1, 2, 14, 15	1, 2, 14, 15	44.65 [1.758]			
12	OBSOLETE	1, 2, 17, 18	1, 2, 17, 18	52.27 [2.058]			
12	OBSOLETE	1, 2, 5, 6	1, 2, 5, 6	21.79 [0.858]			
12	OBSOLETE	1, 2, 24, 25	1, 2, 24, 25	70.05 [2.758]			
12	OBSOLETE	1, 4	1, 4	16.71 [0.658]			
12	OBSOLETE	1, 3	1, 3	14.17 [0.558]			
12	OBSOLETE	1, 2, 50, 51, 99, 100	1, 2, 50, 51, 99, 100	260.55 [10.258]			
12	OBSOLETE	1, 2, 40, 41, 79, 80	1, 2, 40, 41, 79, 80	209.75 [8.258]			
12	OBSOLETE	1, 2, 35, 36, 69, 70	1, 2, 35, 36, 69, 70	184.35 [7.258]			
12	OBSOLETE	1, 2, 32, 33, 64, 65	1, 2, 32, 33, 64, 65	171.65 [6.758]			
12	OBSOLETE	1, 2, 27, 28, 54, 55	1, 2, 27, 28, 54, 55	146.25 [5.758]			
12	OBSOLETE	1, 2, 47, 48	1, 2, 47, 48	128.47 [5.058]			
12	OBSOLETE	1, 2, 35, 36	1, 2, 35, 36	97.99 [3.858]			
12	OBSOLETE	1, 2, 34, 35	1, 2, 34, 35	95.45 [3.758]			
12	OBSOLETE	1, 2, 19, 20	1, 2, 19, 20	57.35 [2.258]			
12	OBSOLETE	1, 2, 11, 12	1, 2, 11, 12	37.03 [1.458]			
12	OBSOLETE	1, 2, 7, 8	1, 2, 7, 8	26.87 [1.058]			
12	OBSOLETE	1, 2, 9, 10	1, 2, 9, 10	31.95 [1.258]			
12	OBSOLETE	1, 2, 39, 40	1, 2, 39, 40	108.15 [4.258]			
12	OBSOLETE	1, 2, 30, 31, 59, 60	1, 2, 30, 31, 59, 60	158.95 [6.258]			
12	OBSOLETE	1, 2, 25, 26, 49, 50	1, 2, 25, 26, 49, 50	133.55 [5.258]			
12	OBSOLETE	1, 2, 29, 30	1, 2, 29, 30	82.75 [3.258]			
12	OBSOLETE	1, 2, 14, 15	1, 2, 14, 15	44.65 [1.758]			
12	OBSOLETE	1, 2, 17, 18	1, 2, 17, 18	52.27 [2.058]			
12	OBSOLETE	1, 2, 5, 6	1, 2, 5, 6	21.79 [0.858]			
12	OBSOLETE	1, 2, 24, 25	1, 2, 24, 25	70.05 [2.758]			
FINISH		ROW M	ROW N	B	A	NO OF POSN	PART NUMBER
		POSITION WITH BOARD RETENTION					

THIS DRAWING IS A CONTROLLED DOCUMENT.		DIN T. HOFFMAN 4/29/96		TE Connectivity
DIMENSIONS: mm [INCHES]		CHK A. GARANY 5/7/96		RECEPTACLE ASSY, MOD II, DBL ROW, 2.54 X 2.54 [0.100 X .100] CL, GUIDE PIN EARS, CLOSED ENTRY,
TOLERANCES UNLESS OTHERWISE SPECIFIED:		APVD	PRODUCT SPEC	
0 PLC ± -		APPLICATION SPEC		SIZE
1 PLC ± 0.13 [0.005]		WEIGHT		SCALE
2 PLC ± -		CUSTOMER DRAWING		DRAWING NO
3 PLC ± -		SCALE 6:1		DRAWING NO
4 PLC ± -		SHEET 1 OF 1		REV
ANGLES ± -		REV S4		

X-ON Electronics

Largest Supplier of Electrical and Electronic Components

Click to view similar products for [Headers & Wire Housings](#) category:

Click to view products by [TE Connectivity](#) manufacturer:

Other Similar products are found below :

[892-18-020-10-001101](#) [58102-G61-06LF](#) [582553-1](#) [0009485154](#) [009176003701906](#) [0050291907](#) [LY20-4P-DT1-P1E-BR](#) [02.125.8002.8](#)
[609-3404](#) [61062-3](#) [61082-181009](#) [622-3653LF](#) [63453-116](#) [636-1030](#) [636-1427](#) [636-3427](#) [636-4007](#) [641938-9](#) [641991-4](#) [644827-2](#) [65817-010LF](#) [65817-015LF](#) [65863-015LF](#) [66207-023LF](#) [67095-007LF](#) [67601157](#) [68645-018](#) [68648-049](#) [70.362.1628.0](#) [70-4210](#) [70-4226B](#) [70-4853B](#) [707-5020](#) [707-5028](#) [71.350.2428.0](#) [71918-208LF](#) [71961-016LF](#) [733-134](#) [733-162](#) [754199-000](#) [760-3052](#) [787-8014-00](#) [79531-3000](#)
[FCN-360C032-B](#) [FCN-367T-T012/H](#) [FCN-723D010/2](#) [80.063.4001.1](#) [800-90-001-10-001000](#) [800-90-010-10-002000](#) [801-43-002-10-013000](#)