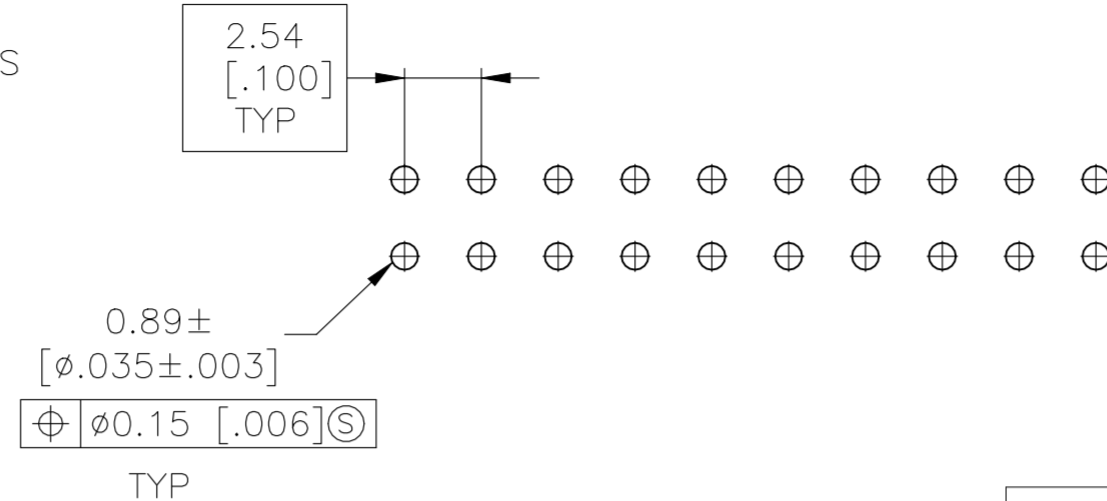
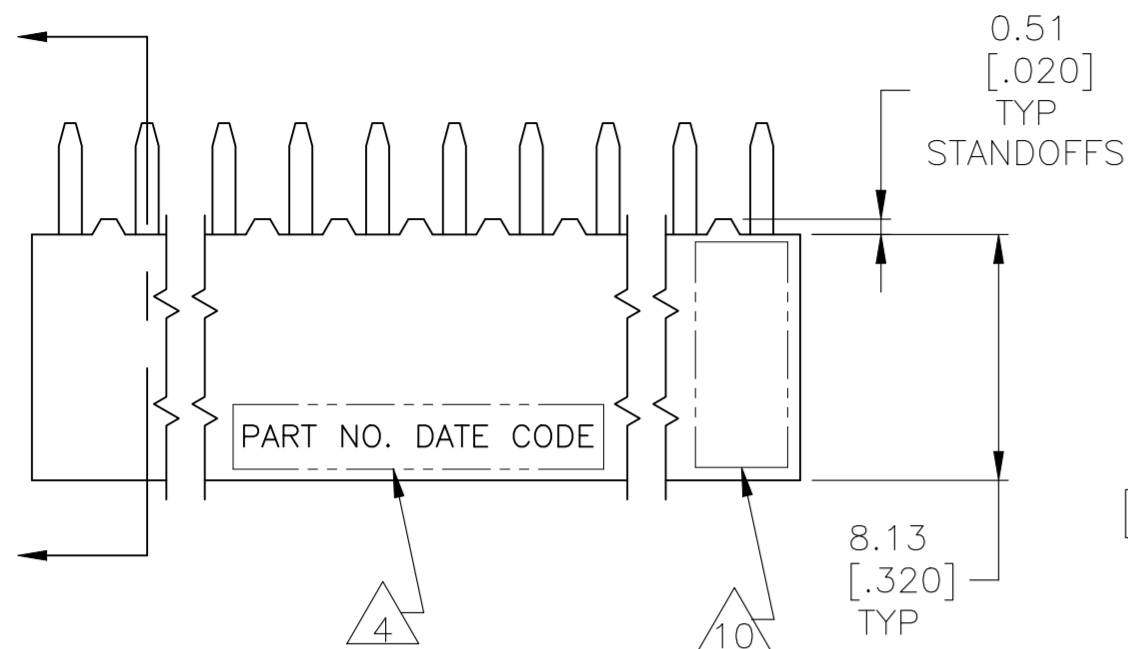
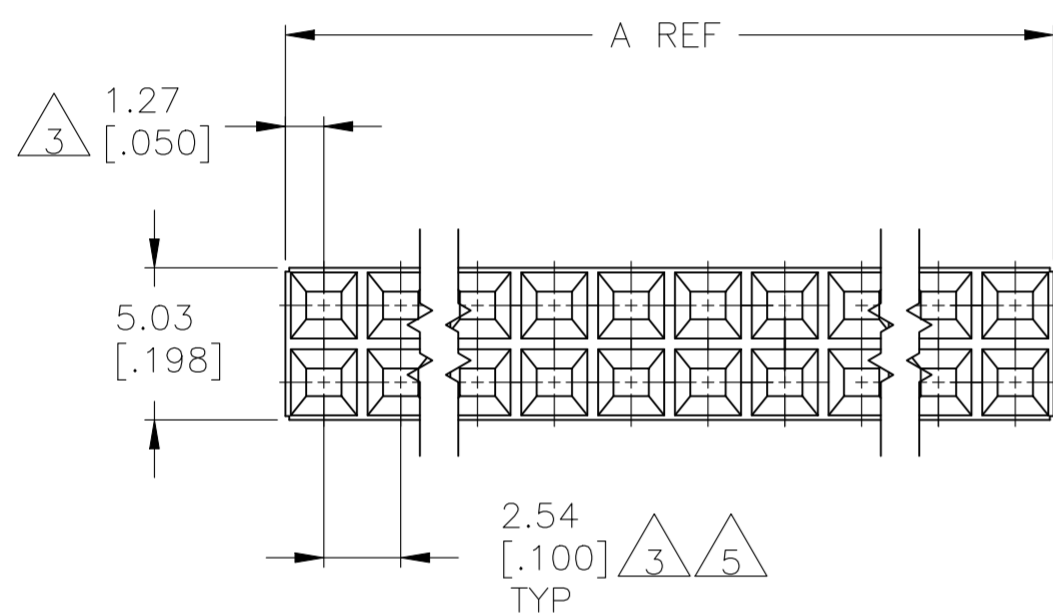


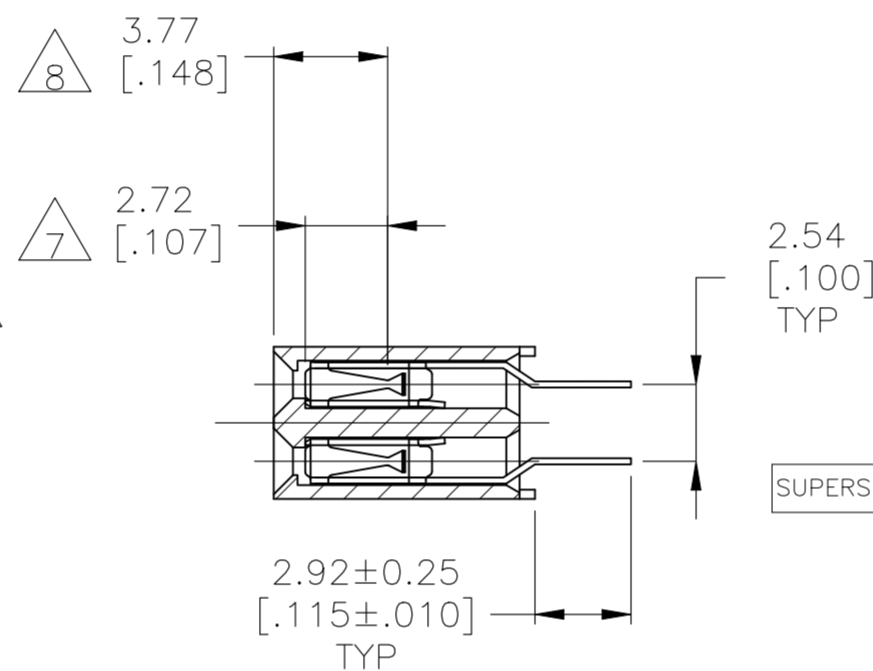
| REVISIONS |     |                                       |           |         |
|-----------|-----|---------------------------------------|-----------|---------|
| P         | LTR | DESCRIPTION                           | DATE      | APVD    |
| S         |     | RESIN SUPPLIER CHANGE FOR THE HOUSING | 09NOV2021 | SCB KJK |



RECOMENDED PC BOARD HOLE PATTERN  
PC BOARD THICKNESS 1.57[.062]



2.54±0.25  
[.100±.010] 5



SUPERSEDED BY 8-534206-5

SUPERSEDED BY 7-534206-1

|   |              |               |    |            |
|---|--------------|---------------|----|------------|
| 2 | 99.06[3.900] | 101.60[4.000] | 80 | 4-534206-0 |
| 2 | 96.52[3.800] | 99.06[3.900]  | 78 | 3-534206-9 |
| 2 | 93.98[3.700] | 96.52[3.800]  | 76 | 3-534206-8 |
| 2 | 91.44[3.600] | 93.98[3.700]  | 74 | 3-534206-7 |
| 2 | 88.90[3.500] | 91.44[3.600]  | 72 | 3-534206-6 |
| 2 | 86.36[3.400] | 88.90[3.500]  | 70 | 3-534206-5 |
| 2 | 83.82[3.300] | 86.36[3.400]  | 68 | 3-534206-4 |
| 2 | 81.28[3.200] | 83.82[3.300]  | 66 | 3-534206-3 |
| 2 | 78.74[3.100] | 81.28[3.200]  | 64 | 3-534206-2 |
| 2 | 76.20[3.000] | 78.74[3.100]  | 62 | 3-534206-1 |
| 2 | 73.66[2.900] | 76.20[3.000]  | 60 | 3-534206-0 |
| 2 | 71.12[2.800] | 73.66[2.900]  | 58 | 2-534206-9 |
| 2 | 68.58[2.700] | 71.12[2.800]  | 56 | 2-534206-8 |
| 2 | 66.04[2.600] | 68.58[2.700]  | 54 | 2-534206-7 |
| 2 | 63.50[2.500] | 66.04[2.600]  | 52 | 2-534206-6 |
| 2 | 60.96[2.400] | 63.50[2.500]  | 50 | 2-534206-5 |
| 2 | 58.42[2.300] | 60.96[2.400]  | 48 | 2-534206-4 |
| 2 | 55.88[2.200] | 58.42[2.300]  | 46 | 2-534206-3 |
| 2 | 53.34[2.100] | 55.88[2.200]  | 44 | 2-534206-2 |
| 2 | 50.80[2.000] | 53.34[2.100]  | 42 | 2-534206-1 |
| 2 | 48.26[1.900] | 50.80[2.000]  | 40 | 2-534206-0 |
| 2 | 45.72[1.800] | 48.26[1.900]  | 38 | 1-534206-9 |
| 2 | 43.18[1.700] | 45.72[1.800]  | 36 | 1-534206-8 |
| 2 | 40.64[1.600] | 43.18[1.700]  | 34 | 1-534206-7 |
| 2 | 38.10[1.500] | 40.64[1.600]  | 32 | 1-534206-6 |
| 2 | 35.56[1.400] | 38.10[1.500]  | 30 | 1-534206-5 |
| 2 | 33.02[1.300] | 35.56[1.400]  | 28 | 1-534206-4 |
| 2 | 30.48[1.200] | 33.02[1.300]  | 26 | 1-534206-3 |
| 2 | 27.94[1.100] | 30.48[1.200]  | 24 | 1-534206-2 |
| 2 | 25.40[1.000] | 27.94[1.100]  | 22 | 1-534206-1 |
| 2 | 22.86[.900]  | 25.40[1.000]  | 20 | 1-534206-0 |
| 2 | 20.32[.800]  | 22.86[.900]   | 18 | 534206-9   |
| 2 | 17.78[.700]  | 20.32[.800]   | 16 | 534206-8   |
| 2 | 15.24[.600]  | 17.78[.700]   | 14 | 534206-7   |
| 2 | 12.70[.500]  | 15.24[.600]   | 12 | 534206-6   |
| 2 | 10.16[.400]  | 12.70[.500]   | 10 | 534206-5   |
| 2 | 7.62[.300]   | 10.16[.400]   | 8  | 534206-4   |
| 2 | 5.08[.200]   | 7.62[.300]    | 6  | 534206-3   |
| 2 | 2.54[.100]   | 5.08[.200]    | 4  | 534206-2   |
| 2 | -            | 2.54[.100]    | 2  | 534206-1   |

| FINISH | B | A | NO OF .POSN | PART NUMBER |
|--------|---|---|-------------|-------------|
|        |   |   |             |             |

- 1 HOUSING: FLAME RETARDANT, GLASS FILLED, POLYESTER, COLOR: BLACK. CONTACT: PHOSPHOR BRONZE
- 2 CONTACT: DUPLEX PLATED 0.76µm[.000030] GOLD IN CONTACT AREA, 3.81-7.62µm[.000150-.000300] BRIGHT TIN-LEAD ON LEADS ALL OVER 1.27µm[.000050] MINIMUM NICKEL
- 3 THESE DIMENSIONS PERTAIN TO CAVIITY CENTERLINES ONLY - NOT TO CONTACT LOCATIONS
- 4 PART NUMBER AND DATE CODE ARE MARKED IN APPROXIMATE LOCATION SHOWN,EITHER SIDE.
- 5 TOLERANCE IS NON-CUMULATIVE.
- 6 2 POSITION DATE CODE IS MARKED OPPOSITE SIDE OF TE CONNECTIVITY LOGO.
- 7 POINT-OF-MEASUREMENT DIMENSION FOR PLATING THICKNESS (INSIDE CONTACT BEAM).
- 8 POINT-OF-CONTACT DIMENSION.
- 9 NO PART NUMBER MARKING REQUIRED FOR THIS PART.
- 10 TE LOGO AND CSA LOGO ARE MOLDED INTO HOUSING.
- 11 CONTACT: DUPLEX PLATED 0.76µm[.000030] MIN GOLD IN CONTACT AREA, 3.81-7.62µm[.000150-.000300] MATTE TIN ON LEADS ALL OVER 1.27µm[.000050] MIN NICKEL
- 12 ROHS 2002 /95/EC COMPLIANT.

THIS DRAWING IS A CONTROLLED DOCUMENT.

DWN M.BINNER 06NOV2002  
CHK J.OLSON 06NOV02  
APVD J.OLSON 06NOV02

TE Connectivity Ltd.

RECEPTACLE ASSEMBLY, MOD II,  
DOUBLE ROW, DUAL ENTRY, .100X.100CL,  
VERTICAL MOUNT, AMPMODU

108-25022  
114-25018

SCALE 4:1 SHEET 1 OF 2 REV S

REVISIONS

| P | LTR | DESCRIPTION | DATE | DWN | APVD |
|---|-----|-------------|------|-----|------|
| - | -   | SEE SHEET 1 | -    | -   | -    |

| FINISH | B            | A             | NO OF POSN | PART NUMBER     |
|--------|--------------|---------------|------------|-----------------|
| △11    | 99.06[3.900] | 101.60[4.000] | 80         | △2 9-534206-0   |
| △11    | 96.52[3.800] | 99.06[3.900]  | 78         | △2 8-534206-9   |
| △11    | 93.98[3.700] | 96.52[3.800]  | 76         | △2 8-534206-8   |
| △11    | 91.44[3.600] | 93.98[3.700]  | 74         | △2 8-534206-7   |
| △11    | 88.90[3.500] | 91.44[3.600]  | 72         | △2 8-534206-6   |
| △11    | 86.36[3.400] | 88.90[3.500]  | 70         | △2 8-534206-5   |
| △11    | 83.82[3.300] | 86.36[3.400]  | 68         | △2 8-534206-4   |
| △11    | 81.28[3.200] | 83.82[3.300]  | 66         | △2 8-534206-3   |
| △11    | 78.74[3.100] | 81.28[3.200]  | 64         | △2 8-534206-2   |
| △11    | 76.20[3.000] | 78.74[3.100]  | 62         | △2 8-534206-1   |
| △11    | 73.66[2.900] | 76.20[3.000]  | 60         | △2 8-534206-0   |
| △11    | 71.12[2.800] | 73.66[2.900]  | 58         | △2 7-534206-9   |
| △11    | 68.58[2.700] | 71.12[2.800]  | 56         | △2 7-534206-8   |
| △11    | 66.04[2.600] | 68.58[2.700]  | 54         | △2 7-534206-7   |
| △11    | 63.50[2.500] | 66.04[2.600]  | 52         | △2 7-534206-6   |
| △11    | 60.96[2.400] | 63.50[2.500]  | 50         | △2 7-534206-5   |
| △11    | 58.42[2.300] | 60.96[2.400]  | 48         | △2 7-534206-4   |
| △11    | 55.88[2.200] | 58.42[2.300]  | 46         | △2 7-534206-3   |
| △11    | 53.34[2.100] | 55.88[2.200]  | 44         | △2 7-534206-2   |
| △11    | 50.80[2.000] | 53.34[2.100]  | 42         | △2 7-534206-1   |
| △11    | 48.26[1.900] | 50.80[2.000]  | 40         | △2 7-534206-0   |
| △11    | 45.72[1.800] | 48.26[1.900]  | 38         | △2 6-534206-9   |
| △11    | 43.18[1.700] | 45.72[1.800]  | 36         | △2 6-534206-8   |
| △11    | 40.64[1.600] | 43.18[1.700]  | 34         | △2 6-534206-7   |
| △11    | 38.10[1.500] | 40.64[1.600]  | 32         | △2 6-534206-6   |
| △11    | 35.56[1.400] | 38.10[1.500]  | 30         | △2 6-534206-5   |
| △11    | 33.02[1.300] | 35.56[1.400]  | 28         | △2 6-534206-4   |
| △11    | 30.48[1.200] | 33.02[1.300]  | 26         | △2 6-534206-3   |
| △11    | 27.94[1.100] | 30.48[1.200]  | 24         | △2 6-534206-2   |
| △11    | 25.40[1.000] | 27.94[1.100]  | 22         | △2 6-534206-1   |
| △11    | 22.86[.900]  | 25.40[1.000]  | 20         | △2 6-534206-0   |
| △11    | 20.32[.800]  | 22.86[.900]   | 18         | △2 5-534206-9   |
| △11    | 17.78[.700]  | 20.32[.800]   | 16         | △2 5-534206-8   |
| △11    | 15.24[.600]  | 17.78[.700]   | 14         | △2 5-534206-7   |
| △11    | 12.70[.500]  | 15.24[.600]   | 12         | △2 5-534206-6   |
| △9     | 10.16[.400]  | 12.70[.500]   | 10         | △2 5-534206-5   |
| △9     | 7.62[.300]   | 10.16[.400]   | 8          | △2 5-534206-4   |
| △9     | 5.08[.200]   | 7.62[.300]    | 6          | △2 5-534206-3   |
| △9     | 2.54[.100]   | 5.08[.200]    | 4          | △2 5-534206-2   |
| △9     | -            | 2.54[.100]    | 2          | △6△2 5-534206-1 |

534206

00

|  |        |                              |   |               |
|--|--------|------------------------------|---|---------------|
| THIS DRAWING IS A CONTROLLED DOCUMENT. |        | DWN<br>M.BINNER<br>06NOV2002 | <b>TE</b> TE Connectivity Ltd.  |               |
| DIMENSIONS:<br>mm [INCHES]             |        | CHK<br>J.OLSON<br>06NOV02    |   |               |
| TOLERANCES UNLESS OTHERWISE SPECIFIED: |        | APVD<br>J.OLSON<br>06NOV02   | NAME  |               |
| 0 PLC ± -                              |        | PRODUCT SPEC                 | RECEPTACLE ASSEMBLY, MOD II,<br>DOUBLE ROW, DUAL ENTRY, .100X.100CL,<br>VERTICAL MOUNT, AMPMODU |               |
| 1 PLC ± -                              |        | 108-25022                    | SIZE  | RESTRICTED TO |
| 2 PLC ± 0.13[.005]                     |        | APPLICATION SPEC             | CAGE CODE   |               |
| 3 PLC ± -                              |        | 114-25018                    | DRAWING NO  |               |
| 4 PLC ± -                              |        | WEIGHT                       | 00779   |               |
| ANGLES ± -                             |        | FINISH                       | C=534206  |               |
| MATERIAL                               | FINISH | CUSTOMER DRAWING             | SCALE   | SHEET         |
| △1                                     | △2△11  |                              | 4:1   | 2 OF 2        |
|  |        |                              | REV   | S             |

## X-ON Electronics

Largest Supplier of Electrical and Electronic Components

*Click to view similar products for [Headers & Wire Housings](#) category:*

*Click to view products by [TE Connectivity](#) manufacturer:*

Other Similar products are found below :

[892-18-020-10-001101](#) [58102-G61-06LF](#) [582553-1](#) [0009485154](#) [009176003701906](#) [0050291907](#) [LY20-4P-DT1-P1E-BR](#) [02.125.8002.8](#)  
[609-3404](#) [61062-3](#) [61082-181009](#) [622-3653LF](#) [63453-116](#) [636-1030](#) [636-1427](#) [636-3427](#) [636-4007](#) [641938-9](#) [641991-4](#) [644827-2](#) [65817-](#)  
[010LF](#) [65817-015LF](#) [65863-015LF](#) [66207-023LF](#) [67095-007LF](#) [67601157](#) [68645-018](#) [68648-049](#) [70.362.1628.0](#) [70-4210](#) [70-4226B](#) [70-](#)  
[4853B](#) [707-5020](#) [707-5028](#) [71.350.2428.0](#) [71918-208LF](#) [71961-016LF](#) [733-134](#) [733-162](#) [754199-000](#) [760-3052](#) [787-8014-00](#) [79531-3000](#)  
[FCN-360C032-B](#) [FCN-367T-T012/H](#) [FCN-723D010/2](#) [80.063.4001.1](#) [800-90-001-10-001000](#) [800-90-010-10-002000](#) [801-43-002-10-013000](#)