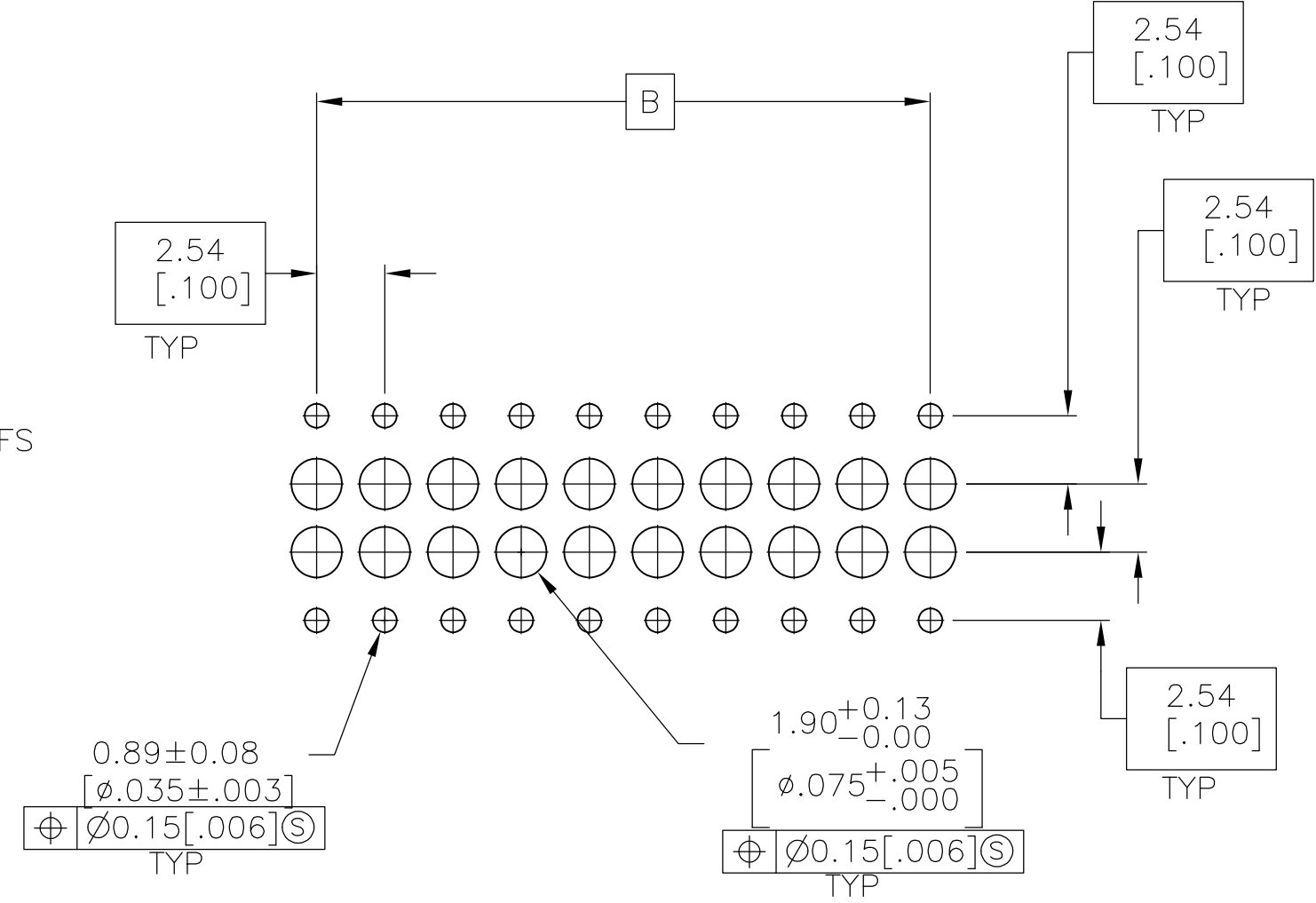
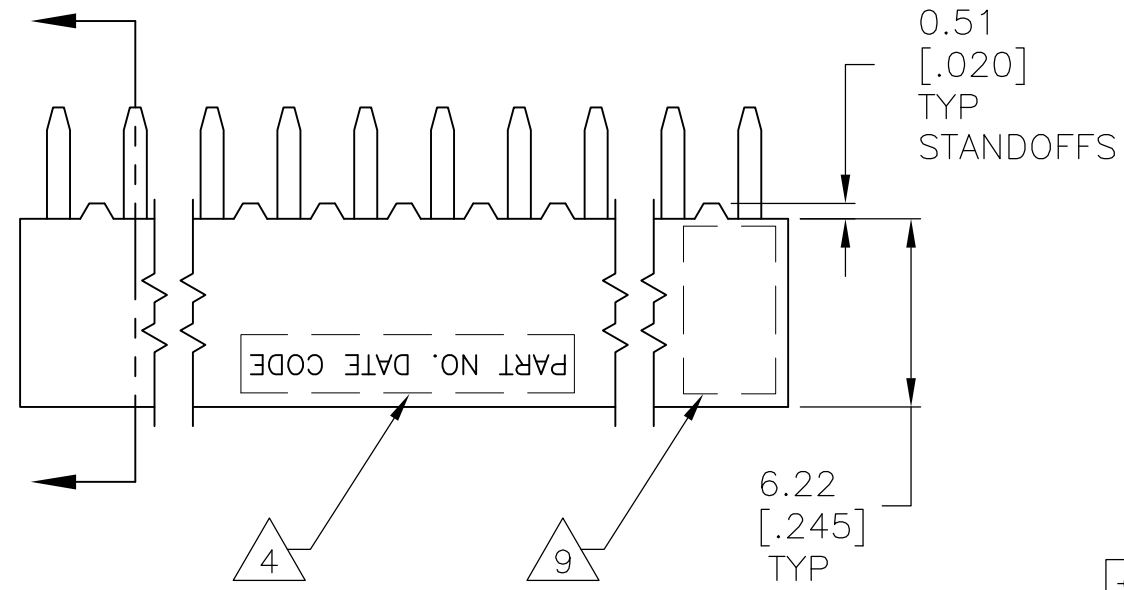


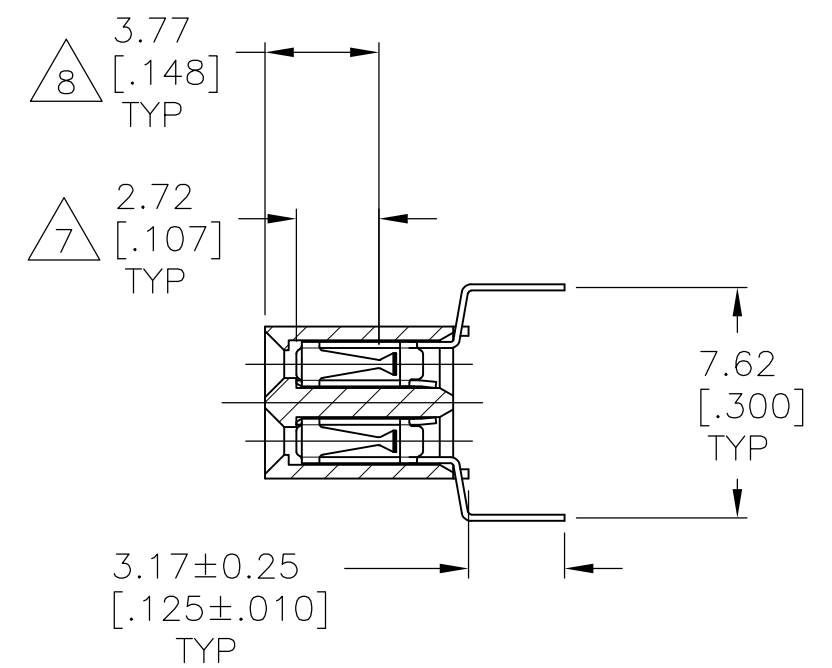
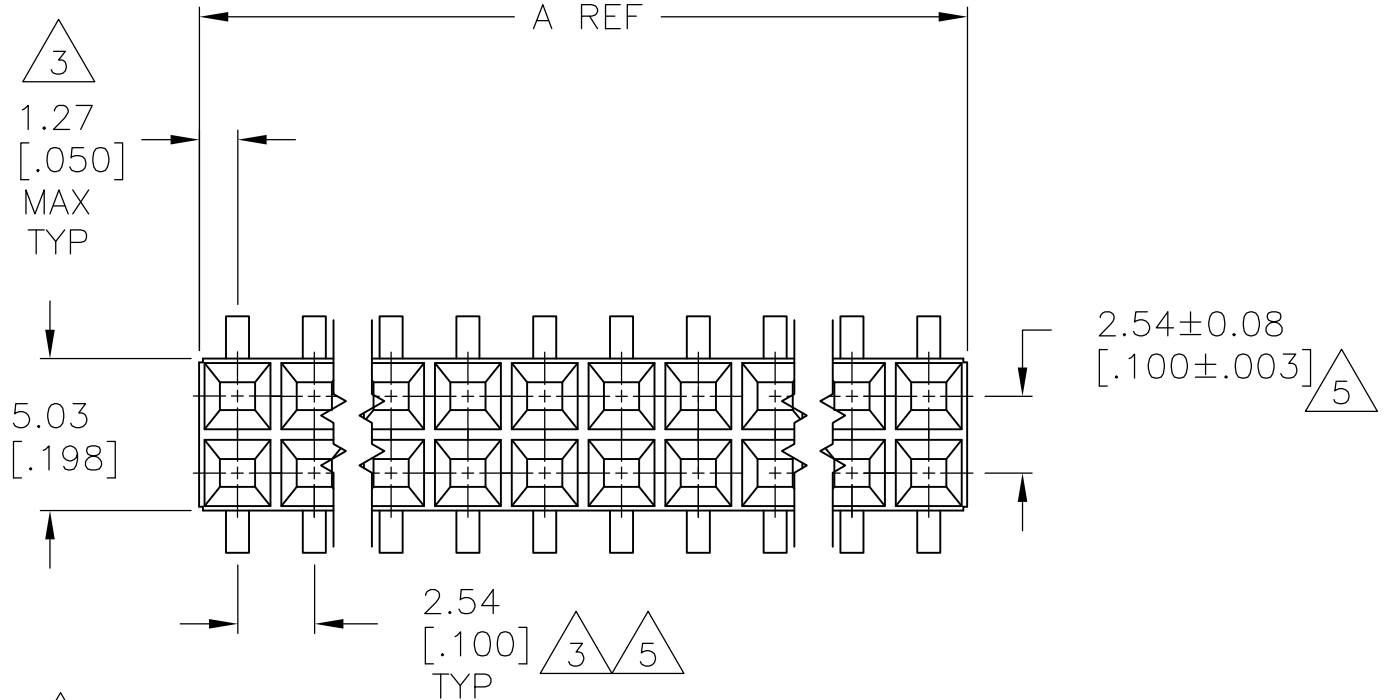
THIS DRAWING IS UNPUBLISHED. RELEASED FOR PUBLICATION
 © COPYRIGHT - By - ALL RIGHTS RESERVED.

LOC		DIST		REVISIONS				
AD	00	P	LTR	DESCRIPTION	DATE	DWN	APVD	
		AB5		REVISED PER ECO-13-005565	02APR13	KH	JO	



RECOMMENDED PC BOARD HOLE PATTERN
 PC BOARD THICKNESS 1.57 [.062]

12 ROHS 2002/95/EC COMPLIANT



- 1 HOUSING: FLAME RETARDANT, GLASS FILLED, POLYESTER, COLOR: BLACK. CONTACT: PHOSPHOR BRONZE
- 2 CONTACT: DUPLEX PLATED 0.76µm [.000030] GOLD IN CONTACT AREA, 3.81-7.62µm [.000150-.000300] BRIGHT TIN-LEAD ON LEADS, ALL OVER 1.27µm [.000050] MINIMUM NICKEL
- 3 THESE DIMENSIONS PERTAIN TO CAVITY CENTERLINES ONLY - NOT TO CONTACT LOCATIONS
- 4 PART NUMBER AND DATE CODE ARE MARKED IN APPROXIMATE LOCATION SHOWN, EITHER SIDE.
- 5 TOLERANCE IS NON-CUMULATIVE.
- 6 2 POSITION DATE CODE IS MARKED OPPOSITE SIDE OF TE CONNECTIVITY LOGO.
- 7 POINT-OF-MEASUREMENT DIMENSION FOR PLATING THICKNESS (INSIDE CONTACT BEAM).
- 8 POINT-OF-CONTACT DIMENSION.
- 9 TE CONNECTIVITY TRADEMARK AND CSA LOGO ARE MOLDED INTO HOUSING, THIS LOCATION.
- 10 NO PART NUMBER MARKING REQUIRED FOR THIS PART.
- 11 CONTACT: DUPLEX PLATED 0.76 MICROMETERS (.000030) MIN GOLD IN CONTACT AREA, 3.81-7.62 MICROMETERS (.000150-.000300) MATTE TIN ON LEADS, ALL OVER 1.27 MICROMETERS (.000050) MINIMUM NICKEL.

2	96.52 [3.800]	99.06 [3.900]	78	4-534267-0
2	91.44 [3.600]	93.98 [3.700]	74	3-534267-9
2	88.90 [3.500]	91.44 [3.600]	72	3-534267-8
2	86.36 [3.400]	88.90 [3.500]	70	3-534267-7
2	83.82 [3.300]	86.36 [3.400]	68	3-534267-6
2	81.28 [3.200]	83.82 [3.300]	66	3-534267-5
2	78.74 [3.100]	81.28 [3.200]	64	3-534267-4
2	76.20 [3.000]	78.74 [3.100]	62	3-534267-3
2	71.12 [2.800]	73.66 [2.900]	58	3-534267-2
2	68.58 [2.700]	71.12 [2.800]	56	3-534267-1
2	66.04 [2.600]	68.58 [2.700]	54	3-534267-0
2	63.50 [2.500]	66.04 [2.600]	52	2-534267-9
2	55.88 [2.200]	58.42 [2.300]	46	2-534267-8
2	53.34 [2.100]	55.88 [2.200]	44	2-534267-7
2	50.80 [2.000]	53.34 [2.100]	42	2-534267-6
2	45.72 [1.800]	48.26 [1.900]	38	2-534267-5
2	40.64 [1.600]	43.18 [1.700]	34	2-534267-4
2	38.10 [1.500]	40.64 [1.600]	32	2-534267-3
2	33.02 [1.300]	35.56 [1.400]	28	2-534267-2
2	25.40 [1.000]	27.94 [1.100]	22	2-534267-1
2	12.70 [.500]	15.24 [.600]	12	2-534267-0
2	17.78 [.700]	20.32 [.800]	16	1-534267-9
2	60.96 [2.400]	63.50 [2.500]	50	1-534267-8
2	2.54 [.100]	5.08 [.200]	4	1-534267-7
2	93.98 [3.700]	96.52 [3.800]	76	1-534267-6
2	43.18 [1.700]	45.72 [1.800]	36	1-534267-5
2	5.08 [.200]	7.62 [.300]	6	1-534267-4
10	OBSELETE	2.54 [.100]	2	6 1-534267-3
2	35.56 [1.400]	38.10 [1.500]	30	1-534267-2
2	58.42 [2.300]	60.96 [2.400]	48	1-534267-1
2	20.32 [.800]	22.86 [.900]	18	1-534267-0
2	27.94 [1.100]	30.48 [1.200]	24	534267-9
2	73.66 [2.900]	76.20 [3.000]	60	534267-8
2	48.26 [1.900]	50.80 [2.000]	40	534267-7
2	30.48 [1.200]	33.02 [1.300]	26	534267-6
10	7.62 [.300]	10.16 [.400]	8	534267-5
2	99.06 [3.900]	101.60 [4.000]	80	534267-4
10	10.16 [.400]	12.70 [.500]	10	534267-3
2	22.86 [.900]	25.40 [1.000]	20	534267-2
2	15.24 [.600]	17.78 [.700]	14	534267-1
FINISH	B	A	NO OF POSN	PART NUMBER

THIS DRAWING IS A CONTROLLED DOCUMENT.

DWN: M.BINNER 06NOV2002
 CHK: J.OLSON 06NOV02
 APVD: J.OLSON 06NOV02

DIMENSIONS: mm [INCHES]

TOLERANCES UNLESS OTHERWISE SPECIFIED:
 0 PLC ± -
 1 PLC ± -
 2 PLC ± 0.13 [.005]
 3 PLC ± -
 4 PLC ± -
 ANGLES ± -

PRODUCT SPEC: 108-25022
 APPLICATION SPEC: 114-25018

MATERIAL: 1

FINISH: 11, 2

NAME: RECEPTACLE ASSEMBLY, MOD IV, DOUBLE ROW, DUAL ENTRY, .100X.100CL, VERTICAL MOUNT, AMPMODU

SIZE: A2 CAGE CODE: 00779 DRAWING NO: 534267 RESTRICTED TO: -

CUSTOMER DRAWING SCALE: 4:1 SHEET: 1 of 2 REV: AB5

THIS DRAWING IS UNPUBLISHED. RELEASED FOR PUBLICATION - . - .
 © COPYRIGHT - By - ALL RIGHTS RESERVED.

LOC	DIST	REVISIONS			
P	LTR	DESCRIPTION	DATE	DWN	APVD
-	-	SEE SHEET 1	-	-	-

\triangle_{11}	96.52[3.800]	99.06[3.900]	78	\triangle_{12}	9-534267-0
\triangle_{11}	91.44[3.600]	93.98[3.700]	74	\triangle_{12}	8-534267-9
\triangle_{11}	88.90[3.500]	91.44[3.600]	72	\triangle_{12}	8-534267-8
\triangle_{11}	86.36[3.400]	88.90[3.500]	70	\triangle_{12}	8-534267-7
\triangle_{11}	83.82[3.300]	86.36[3.400]	68	\triangle_{12}	8-534267-6
\triangle_{11}	81.28[3.200]	83.82[3.300]	66	\triangle_{12}	8-534267-5
\triangle_{11}	78.74[3.100]	81.28[3.200]	64	\triangle_{12}	8-534267-4
\triangle_{11}	76.20[3.000]	78.74[3.100]	62	\triangle_{12}	8-534267-3
\triangle_{11}	71.12[2.800]	73.66[2.900]	58	\triangle_{12}	8-534267-2
\triangle_{11}	68.58[2.700]	71.12[2.800]	56	\triangle_{12}	8-534267-1
\triangle_{11}	66.04[2.600]	68.58[2.700]	54	\triangle_{12}	8-534267-0
\triangle_{11}	63.50[2.500]	66.04[2.600]	52	\triangle_{12}	7-534267-9
\triangle_{11}	55.88[2.200]	58.42[2.300]	46	\triangle_{12}	7-534267-8
\triangle_{11}	53.34[2.100]	55.88[2.200]	44	\triangle_{12}	7-534267-7
\triangle_{11}	50.80[2.000]	53.34[2.100]	42	\triangle_{12}	7-534267-6
\triangle_{11}	45.72[1.800]	48.26[1.900]	38	\triangle_{12}	7-534267-5
\triangle_{11}	40.64[1.600]	43.18[1.700]	34	\triangle_{12}	7-534267-4
\triangle_{11}	38.10[1.500]	40.64[1.600]	32	\triangle_{12}	7-534267-3
\triangle_{11}	33.02[1.300]	35.56[1.400]	28	\triangle_{12}	7-534267-2
\triangle_{11}	25.40[1.000]	27.94[1.100]	22	\triangle_{12}	7-534267-1
\triangle_{11}	12.70[.500]	15.24[.600]	12	\triangle_{12}	7-534267-0
\triangle_{11}	17.78[.700]	20.32[.800]	16	\triangle_{12}	6-534267-9
\triangle_{11}	60.96[2.400]	63.50[2.500]	50	\triangle_{12}	6-534267-8
\triangle_{10} \triangle_{11}	2.54[.100]	5.08[.200]	4	\triangle_{12}	6-534267-7
\triangle_{11}	93.98[3.700]	96.52[3.800]	76	\triangle_{12}	6-534267-6
\triangle_{11}	43.18[1.700]	45.72[1.800]	36	\triangle_{12}	6-534267-5
\triangle_{10} \triangle_{11}	5.08[.200]	7.62[.300]	6	\triangle_{12}	6-534267-4
\triangle_{10} OBSOLETE \triangle_{11}	-	2.54[.100]	2	\triangle_{12} \triangle_{16}	6-534267-3
\triangle_{11}	35.56[1.400]	38.10[1.500]	30	\triangle_{12}	6-534267-2
\triangle_{11}	58.42[2.300]	60.96[2.400]	48	\triangle_{12}	6-534267-1
\triangle_{11}	20.32[.800]	22.86[.900]	18	\triangle_{12}	6-534267-0
\triangle_{11}	27.94[1.100]	30.48[1.200]	24	\triangle_{12}	5-534267-9
\triangle_{11}	73.66[2.900]	76.20[3.000]	60	\triangle_{12}	5-534267-8
\triangle_{11}	48.26[1.900]	50.80[2.000]	40	\triangle_{12}	5-534267-7
\triangle_{11}	30.48[1.200]	33.02[1.300]	26	\triangle_{12}	5-534267-6
\triangle_{10} \triangle_{11}	7.62[.300]	10.16[.400]	8	\triangle_{12}	5-534267-5
\triangle_{11}	99.06[3.900]	101.60[4.000]	80	\triangle_{12}	5-534267-4
\triangle_{10} \triangle_{11}	10.16[.400]	12.70[.500]	10	\triangle_{12}	5-534267-3
\triangle_{11}	22.86[.900]	25.40[1.000]	20	\triangle_{12}	5-534267-2
\triangle_{11}	15.24[.600]	17.78[.700]	14	\triangle_{12}	5-534267-1

FINISH	B	A	NO OF POSN	PART NUMBER
--------	---	---	------------	-------------

THIS DRAWING IS A CONTROLLED DOCUMENT.		DWN M.BINNER 06NOV2002	STE TE Connectivity	
DIMENSIONS: mm [INCHES]		CHK J.OLSON 06NOV02		
TOLERANCES UNLESS OTHERWISE SPECIFIED: 0 PLC ± - 1 PLC ± - 2 PLC ± 0.13[.005] 3 PLC ± - 4 PLC ± - ANGLES ± -		APVD J.OLSON 06NOV02	NAME RECEPTACLE ASSEMBLY, MOD IV, DOUBLE ROW, DUAL ENTRY, .100X.100CL, VERTICAL MOUNT, AMPMODU	
MATERIAL \triangle_1		FINISH \triangle_{11} \triangle_2	PRODUCT SPEC 108-25022	RESTRICTED TO -
		APPLICATION SPEC 114-25018	SIZE A2	CAGE CODE 00779
		WEIGHT -	DRAWING NO C=534267	SCALE 1:1
		CUSTOMER DRAWING	SHEET 2 OF 2	REV AB5

X-ON Electronics

Largest Supplier of Electrical and Electronic Components

Click to view similar products for [Headers & Wire Housings](#) category:

Click to view products by [TE Connectivity](#) manufacturer:

Other Similar products are found below :

[892-18-020-10-001101](#) [58102-G61-06LF](#) [582553-1](#) [0009485154](#) [009176003701906](#) [0050291907](#) [LY20-4P-DT1-P1E-BR](#) [02.125.8002.8](#)
[609-3404](#) [61062-3](#) [61082-181009](#) [622-3653LF](#) [63453-116](#) [636-1030](#) [636-1427](#) [636-3427](#) [636-4007](#) [641938-9](#) [641991-4](#) [644827-2](#) [65817-](#)
[010LF](#) [65817-015LF](#) [65863-015LF](#) [66207-023LF](#) [67095-007LF](#) [67601157](#) [68645-018](#) [68648-049](#) [70.362.1628.0](#) [70-4210](#) [70-4226B](#) [70-](#)
[4853B](#) [707-5020](#) [707-5028](#) [71.350.2428.0](#) [71918-208LF](#) [71961-016LF](#) [733-134](#) [733-162](#) [754199-000](#) [760-3052](#) [79531-3000](#) [FCN-](#)
[360C032-B](#) [FCN-367T-T012/H](#) [FCN-723D010/2](#) [80.063.4001.1](#) [800-90-010-10-002000](#) [801-43-002-10-013000](#) [801-43-006-10-002000](#)
[801-93-011-10-001000](#)