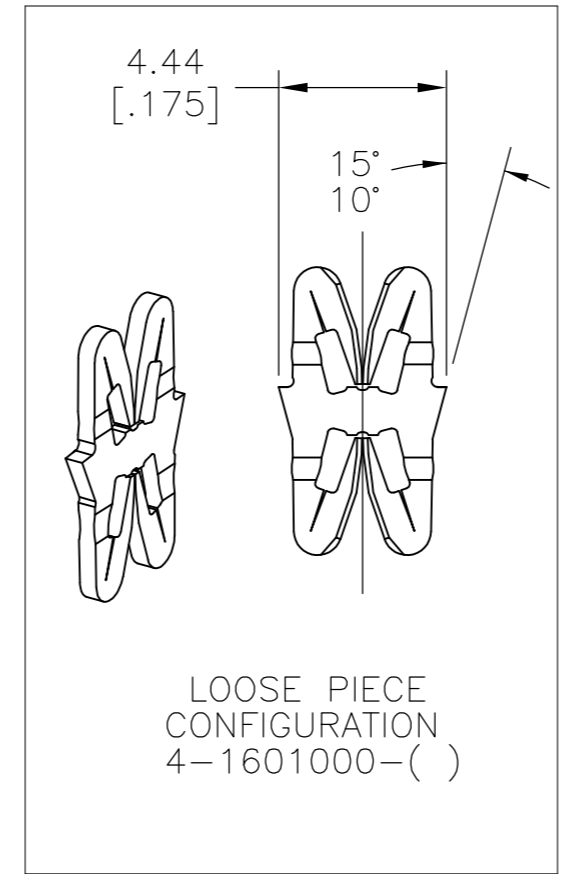
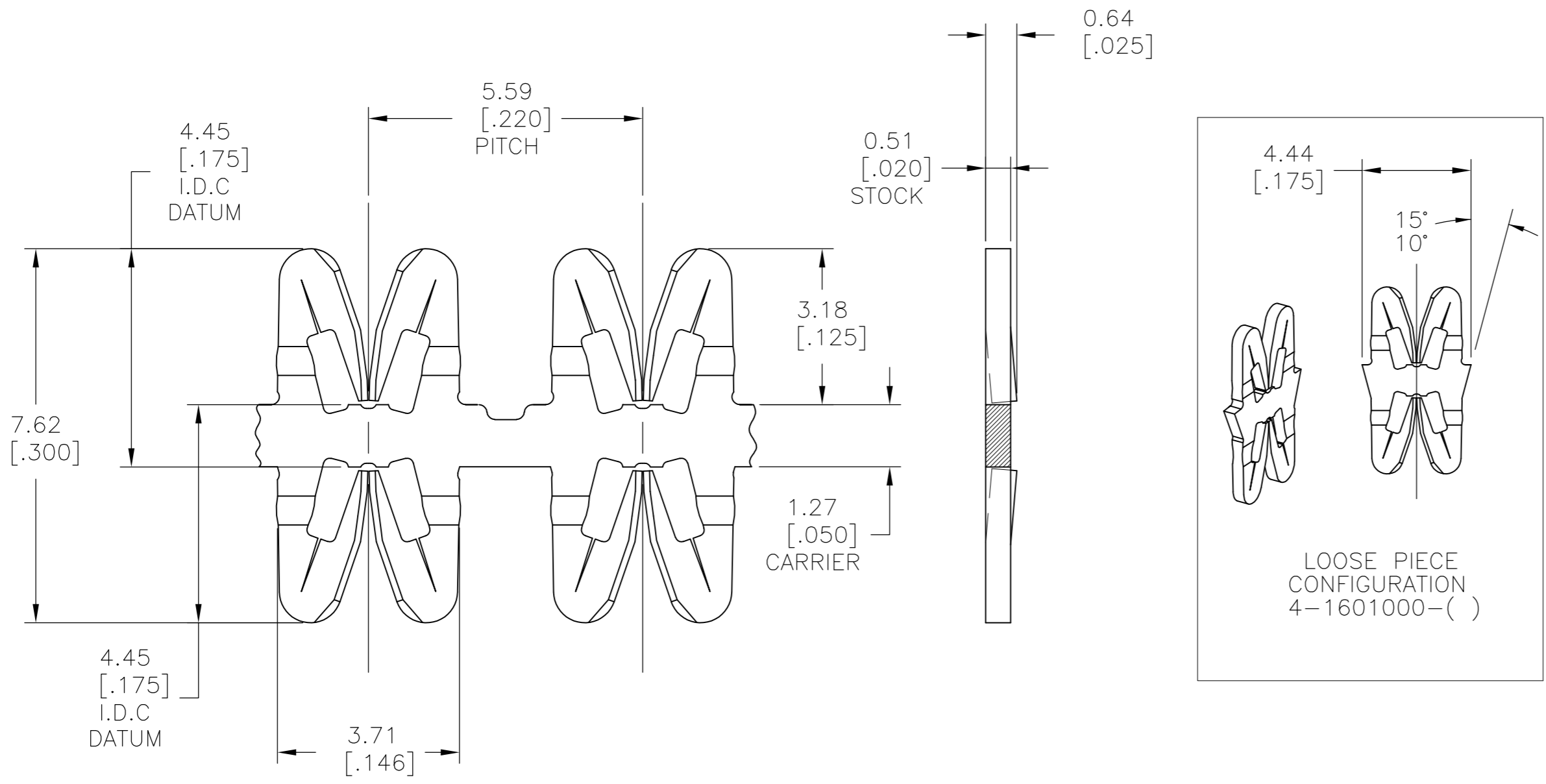


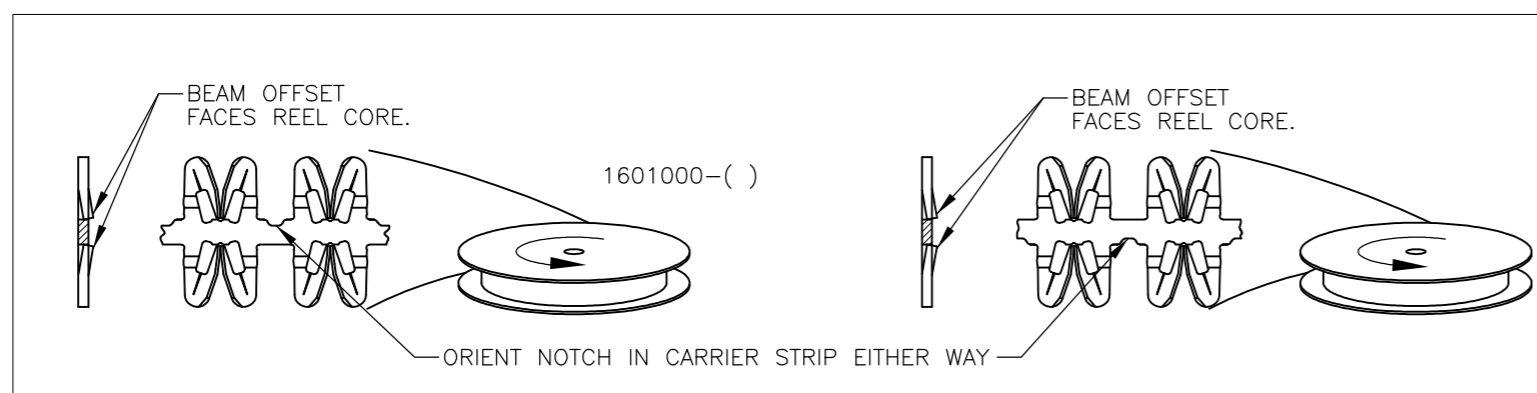
THIS DRAWING IS UNPUBLISHED. RELEASED FOR PUBLICATION
 © COPYRIGHT BY TYCO ELECTRONICS CORPORATION. ALL INTERNATIONAL RIGHTS RESERVED.

| LOC | | DIST | | REVISIONS | | | |
|-----|-----|---------------------------|--|-----------|-----|------|--|
| P | LTR | DESCRIPTION | | DATE | DWN | APVD | |
| C3 | | REVISED PER ECR-09-008562 | | 29APR09 | HMR | GJ | |



- 1 SPECIFICATIONS:
 MAGNET WIRE #18 - #34 AWG,
 1.02(.040) - 0.16(.006) DIA COPPER.
 LEAD WIRE #18 - #22 AWG,
 0.8(.031)mm² - 0.3(.011)mm² STRANDED,
 BONDED OR SOLID WITH PVC INSULATION
 MAX INSULATION O.D. 2.9(.115)
 NO STRIPPING REQUIRED. OTHER INSULATION TYPES.
 MAY BE ACCOMMODATED, CONSULT
 TYCO ELECTRONICS FOR APPROVAL.
- 2 POCKET RECOMMENDATION: #1601421
 ALTERANTE POCKET : #1601462
- 3 TERMINAL APPLICATION TO COMPLY WITH
 TYCO ELECTRONICS SPECIFICATION 114-13166
 FIGURE 3 OR 4
- 4 REDUCED QUANTITY PACKAGING
- 5 PRELIMINARY - NOT FOR PRODUCTION.

TERMINAL TO UNWIND FROM REELS BY EITHER METHOD SHOWN:



| | | | |
|--|--|--|--|
| OBSOLETE | UNPLATED | 031-501-000 | 9-1601000-1 |
| OBSOLETE | UNPLATED | 231-001-000 | 6-1601000-1 |
| | POST NICKEL PLATED | - | 5 4-1601000-3 |
| | POST TIN PLATE OVER COPPER UNDERPLATE | 031-001-001 | 4-1601000-2 |
| | UNPLATED | 031-001-000 | 4-1601000-1 |
| | POST TIN PLATE OVER COPPER UNDERPLATE | - | 4 3-1601000-2 |
| | POST TIN PLATE OVER COPPER UNDERPLATE | 131-001-001 | 1601000-2 |
| | UNPLATED | 131-001-000 | 1601000-1 |
| FINISH | | REFERENCE PART NUMBER | PART NUMBER |
| THIS DRAWING IS A CONTROLLED DOCUMENT. | | DWN J.WELLER 11JAN2002 CHK M.FEHER 11JAN2002 APVD K.RANDOLPH 11JAN2002 | Tyco Electronics Corporation Harrisburg, PA 17105-3608 |
| DIMENSIONS: mm [INCHES] | TOLERANCES UNLESS OTHERWISE SPECIFIED: 0 PLC ± - 1 PLC ± 0.25[.010] 2 PLC ± 0.13[.005] 3 PLC ± - 4 PLC ± - ANGLES ± 2° | PRODUCT SPEC 108-2085 APPLICATION SPEC | NAME STANDARD RANGE WIRE TO WIRE SIAMEZE TERMINAL |
| MATERIAL BRASS, SPRING HARD | FINISH SEE TABLE | WEIGHT - | SIZE A2 CAGE CODE 00779 DRAWING NO C=1601000 RESTRICTED TO - |
| CUSTOMER DRAWING | | SCALE 10:1 | SHEET 1 OF 1 REV C3 |

1601000

A

X-ON Electronics

Largest Supplier of Electrical and Electronic Components

Click to view similar products for [Terminals](#) category:

Click to view products by [TE Connectivity](#) manufacturer:

Other Similar products are found below :

[HT-13-10](#) [71M-250-32-NB](#) [01-2065-1-0216](#) [00581P0075](#) [M10-10RX](#) [M10BCK](#) [60205-1](#) [604200-1](#) [60598-1-CUT-TAPE](#) [60617-1-C](#) [60873-1](#) [M14-516R/SK](#) [M14-6RSX](#) [M18-10FLX](#) [M18-8FBX](#) [M18-8R/LX](#) [M18BCK](#) [61314-6-C](#) [61-S](#) [61-SN-A](#) [62-NBM-A](#) [63-S](#) [640179-1](#) [640917-2-CUT-TAPE](#) [6501550002](#) [66107-2-C](#) [696683-1](#) [696834-1](#) [696861-1](#) [696931-1](#) [696999-1](#) [M8-516RK](#) [M86700006](#) [MA250DMFMX-A](#) [701-2007](#) [701-2307](#) [701-7761-03](#) [70F-110-32-PB](#) [718-N-A](#) [71M-187-20-NBL](#) [71M-250-32-NBL](#) [72F-187-20-NBL](#) [72M-250-32-NBL](#) [7310](#) [73F-250-32](#) [73F-250-32-NBL](#) [73F-250-32-NL](#) [F14-10C](#) [F-1M](#) [751-250](#)