

4

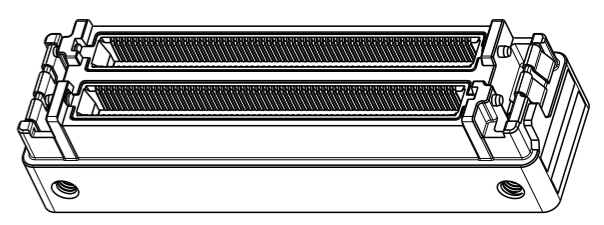
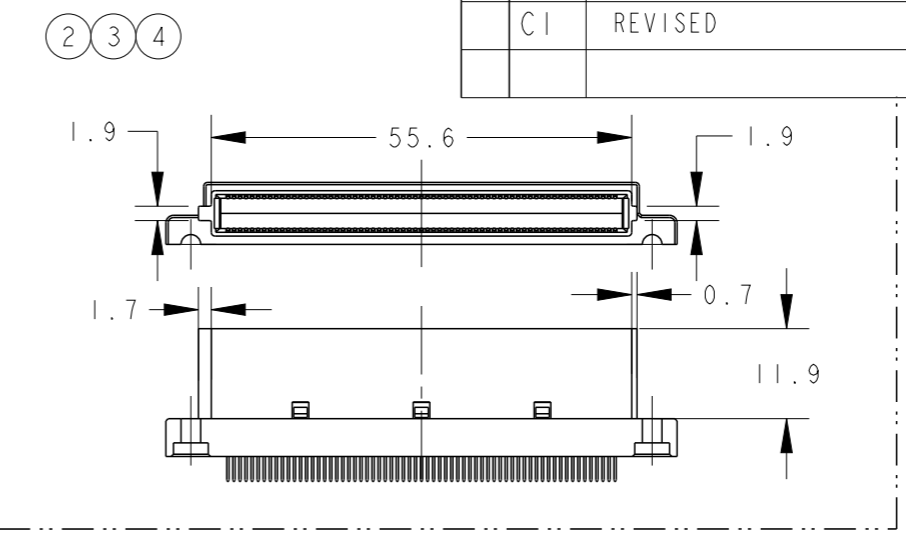
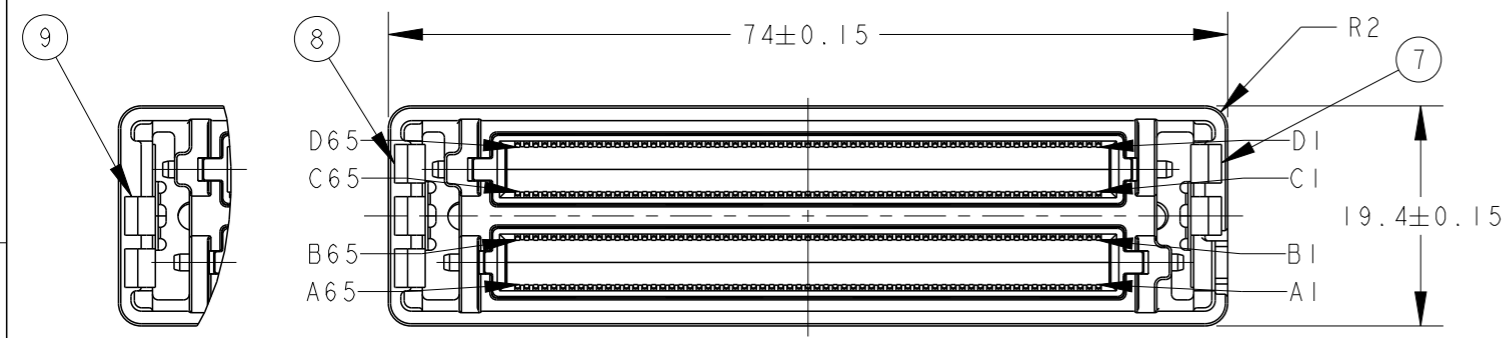
3

2

1

THIS DRAWING IS UNPUBLISHED. RELEASED FOR PUBLICATION 2008
COPYRIGHT 2008-2012 ALL RIGHTS RESERVED.

LOC	DIST	P	LTR	REVISIONS 変更	DESCRIPTION	DATE	DWN	APVD
J	-		B3	REVISED		17JUN2011	T.K	M.K
			C	REVISED		10AUG2012	T.K	M.K
			CI	REVISED		28OCT2015	T.K	M.K



SCALE 1:1

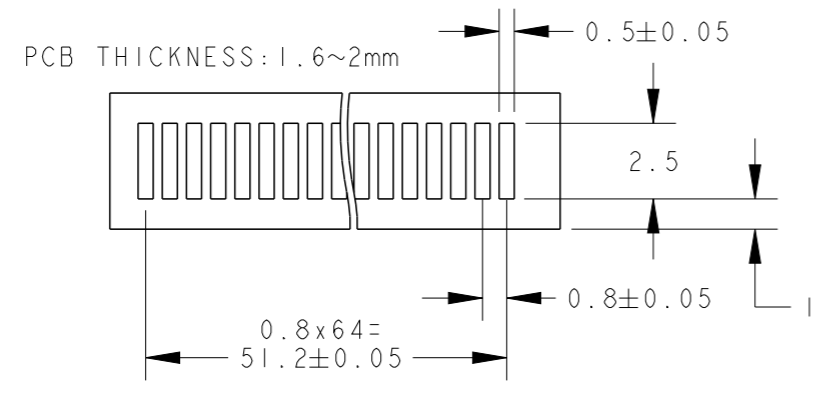
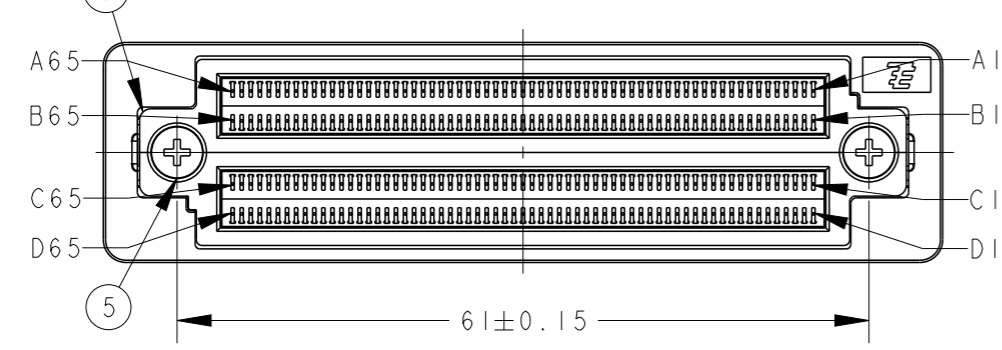
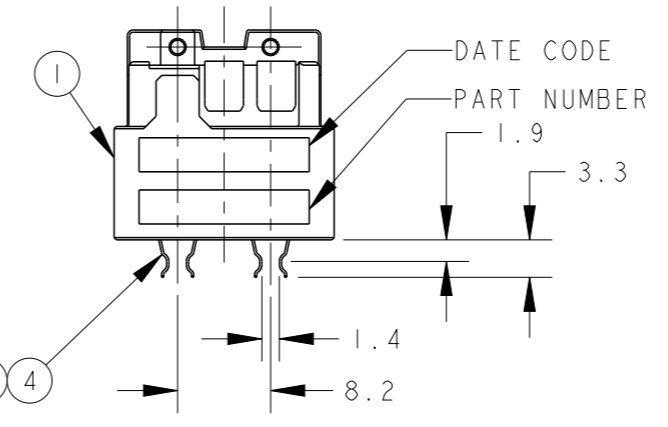
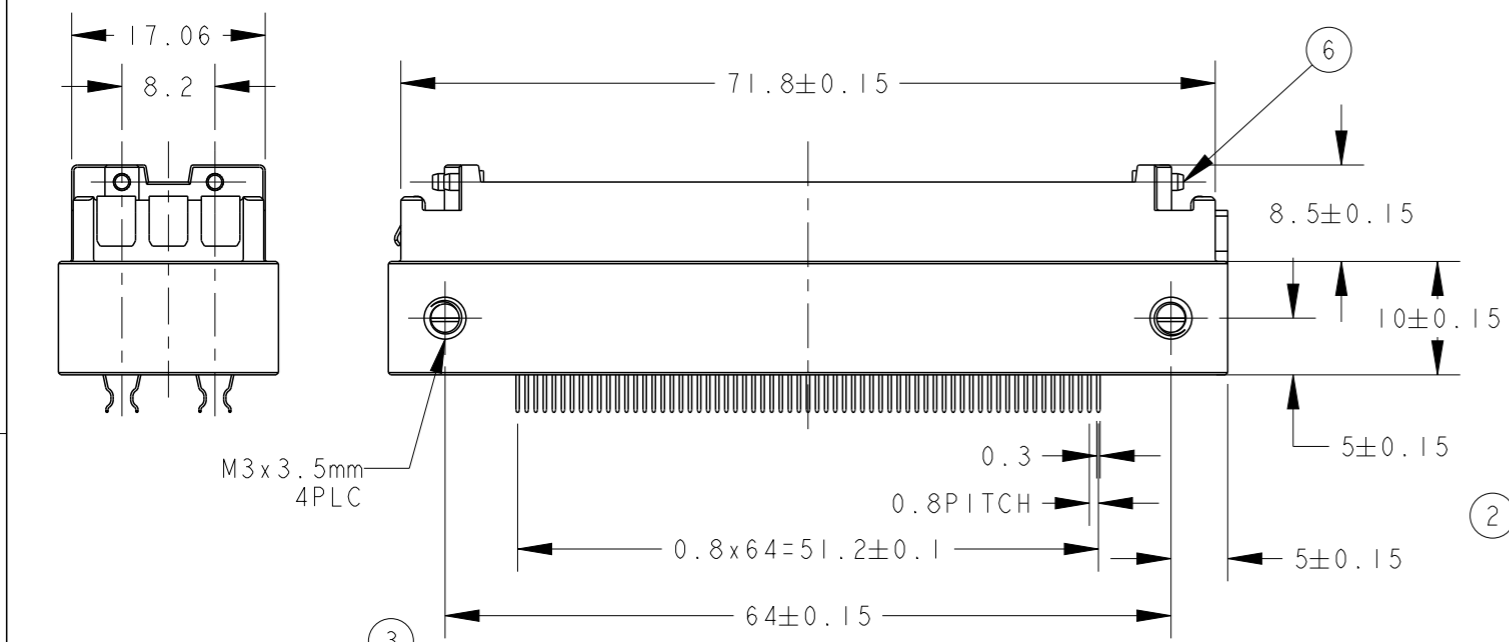
1 MATING AREA
0.001mm MIN GOLD
OVER 0.0025mm MIN NICKEL
SOLDERING AREA
GOLD FLASH
OVER 0.00127mm MIN NICKEL
OTHERS
0.00127mm MIN NICKEL

2 SHILED FINGER THICKNESS
0.25mm

3 SHILED FINGER THICKNESS
0.20mm

4. PIN ASSIGNMENTS
AS A REFERENCE

ROHS COMPLIANT



RECOMMENDED BOARD
SCALE 4:1

QTY	FINISH	MATERIAL	NAME	ITEM NO
2	Ni PLT.	STAINLESS STEEL	SHIELD FINGER	9
-	Ni PLT.	STAINLESS STEEL	SHIELD FINGER	8
-	Ni PLT.	STAINLESS STEEL	SHIELD FINGER	7
4	Ni PLT.	STAINLESS STEEL	PIN FOR HOOK	6
2	ZINC PLATING	STEEL	M2.5 CAP SCREW	5
(260)		COPPER ALLOY	CONTACT	4
2	-	LCP	COVER HOUSING	3
4	-	LCP	INSERT MOLD, CONTACT	2
1	Ni PLT 0.0025~0.005mm	ZINC DIECAST	BASE HOUSING	1

THIS DRAWING IS A CONTROLLED DOCUMENT.

DWN T.Kanno 5MAR2007
CHK M.Kimura 5MAR2007
APVD M.Kimura 5MAR2007

PRODUCT SPEC 108-5771
APPLICATION SPEC 114-5505

WEIGHT 68.5g

CUSTOMER DRAWING

TE Connectivity

HDR ASSEMBLY
TC-ZIF CONN
0.8mm PITCH 260P

SIZE A3 CAGE CODE C-6565199 DRAWING NO. RESTRICTED TO

SCALE 1:1 SHEET OF REV CI

X-ON Electronics

Largest Supplier of Electrical and Electronic Components

Click to view similar products for [Hard Metric Connectors](#) category:

Click to view products by [TE Connectivity](#) manufacturer:

Other Similar products are found below :

[6345127-1](#) [646916-9](#) [6469658-1](#) [973108](#) [1-2000713-0](#) [1-2000713-2](#) [1-2000713-3](#) [1645343-1](#) [1645456-1](#) [1645594-1](#) [1645595-1](#) [1645601-1](#)
[1934822-1](#) [278071110010833](#) [1645179-1](#) [1645245-1](#) [1645457-1](#) [1645525-1](#) [1645570-1](#) [1645596-1](#) [17041102202](#) [1857470-1](#) [1934275-1](#)
[1934289-1](#) [1934759-1](#) [2000673-1](#) [2170292-2](#) [2-536642-6](#) [3-106015-1](#) [352188-1](#) [352629-1](#) [5120823-1](#) [5120899-1](#) [3-100145-0](#) [3-100147-0](#)
[3-100669-1](#) [3-106081-0](#) [HM2DK2368PLF](#) [5646530-1](#) [3-352049-0](#) [3-352069-0](#) [3-352115-0](#) [3-352638-0](#) [352189-1](#) [3-646357-0](#) [3-646487-0](#)
[3-646513-0](#) [106726-1](#) [114352](#) [114619](#)