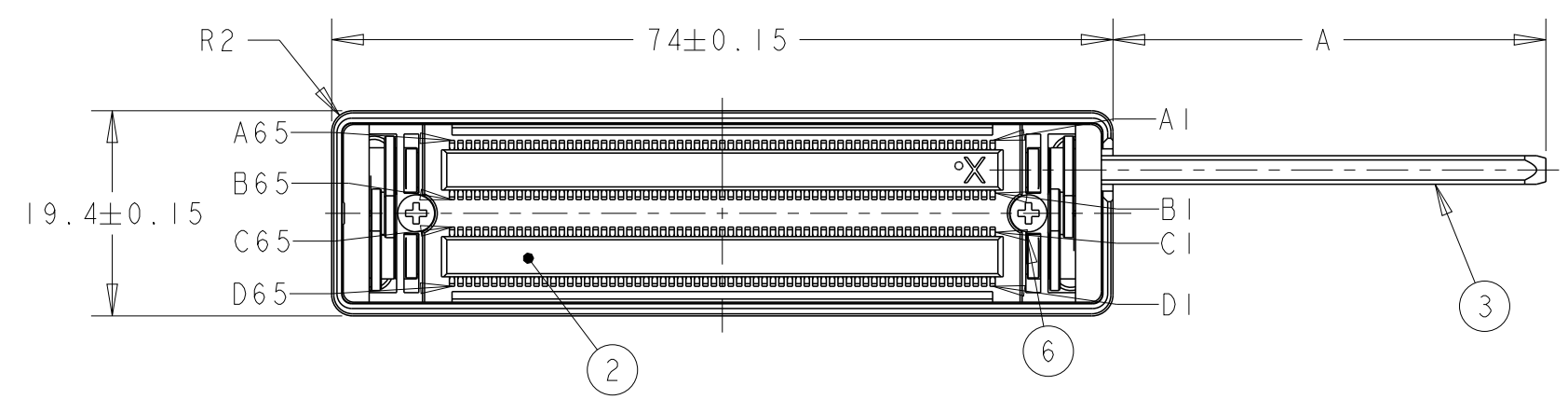
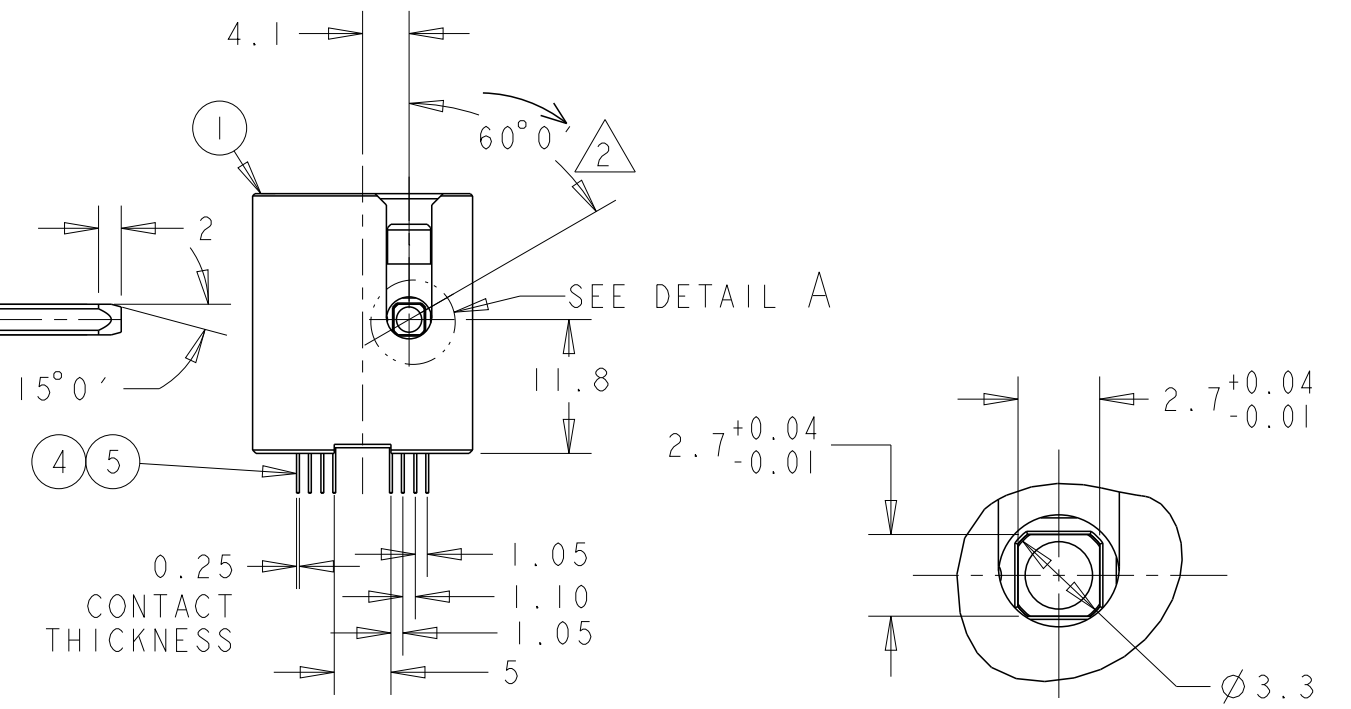
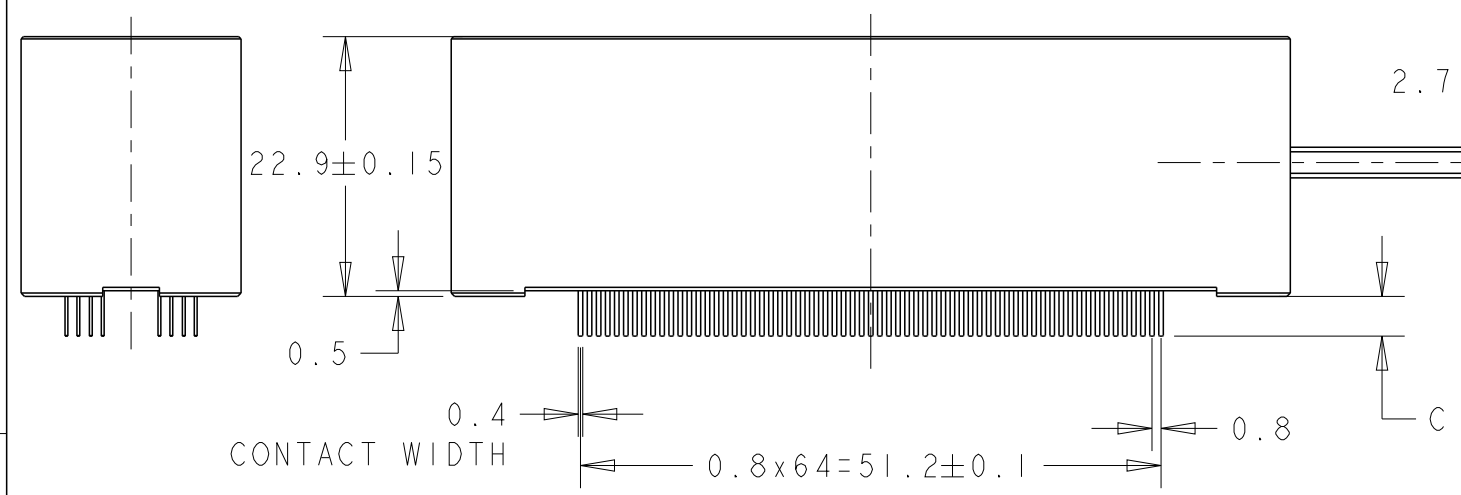


THIS DRAWING IS UNPUBLISHED. RELEASED FOR PUBLICATION 2007
 © COPYRIGHT 2007-2013 ALL RIGHTS RESERVED.

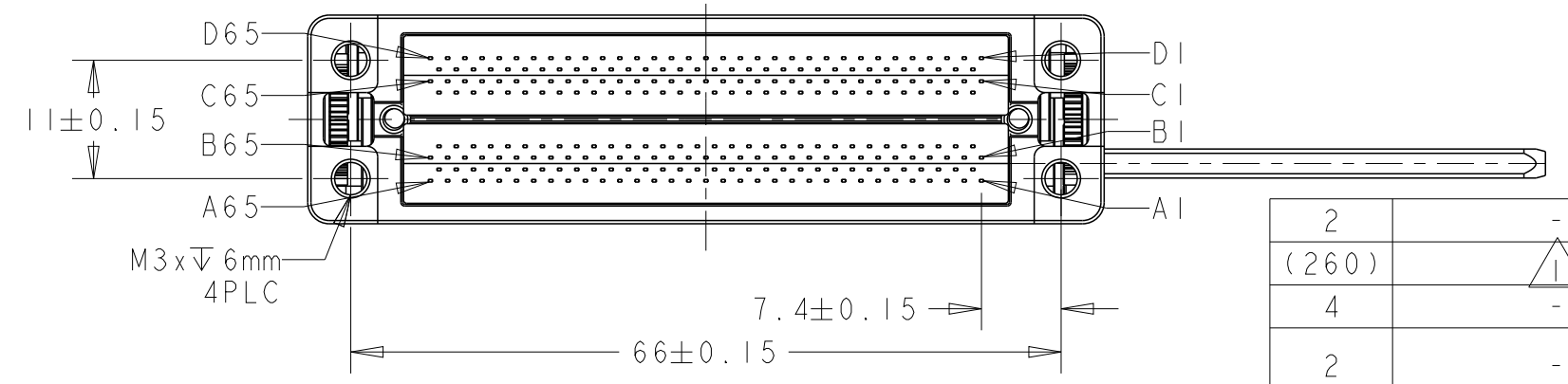
LOC	DIST	REVISIONS			
P	LTR	DESCRIPTION	DATE	DWN	APVD
J	-	E	REVISED	11DEC2012	T.K M.K
		F	REVISED	10JUN2013	T.K M.K
		G	REVISED	18MAR2015	T.K M.K



RoHS COMPLIANT



DETAIL A SCALE 4:1



QTY	FINISH	MATERIAL	NAME	ITEM NO
2	-	STAINLESS STEEL	SCOTCH-GRIP 2510	6
(260)	⚠	COPPER ALLOY	CONTACT	5
4	-	LCP	INSERT MOLD, CONTACT	4
2	-	SUS 304 AND PLASTIC (COLOR BLACK)	ACTUATOR ASSY	3
1	-	LCP	COVER HOUSING, REC	2
1	Ni PLT. 2.5~5μm	ZINC DIECAST	BASE HOUSING, REC	1

DIMENSION "C"	DIMENSION "A"	PART NUMBER
2.8±0.2	41	6565204-9
3.1±0.25	41	6565204-8
3.5±0.4	20	6565204-6
2.5±0.25	20	6565204-5
PRELIMINARY 2.5±0.25	26.82±0.2	6565204-4
2.5±0.25	41	6565204-3
3.5±0.4	41	6565204-1

THIS DRAWING IS A CONTROLLED DOCUMENT.

DIMENSIONS: mm

TOLERANCES UNLESS OTHERWISE SPECIFIED:

0 PLC	±0.3
1 PLC	±0.25
2 PLC	±0.2
3 PLC	±
4 PLC	±
ANGLES	±3
FINISH	⚠

MATERIAL SEE TABLE

THIS DRAWING IS A CONTROLLED DOCUMENT.

DWN T.Kanno 5MAR2007

CHK M.Kimura 5MAR2007

APVD M.Kimura 5MAR2007

PRODUCT SPEC 108-5771

APPLICATION SPEC 114-5505

WEIGHT 85g

CUSTOMER DRAWING

TE TE Connectivity

NAME REC ASSEMBLY TC-ZIF CONNECTOR 0.8mm PITCH 260P

SIZE A3 CAGE CODE DRAWING NO RESTRICTED TO

©=6565204

SCALE 3:2 SHEET 1 OF 2 REV G

LOC
J

DIST
-

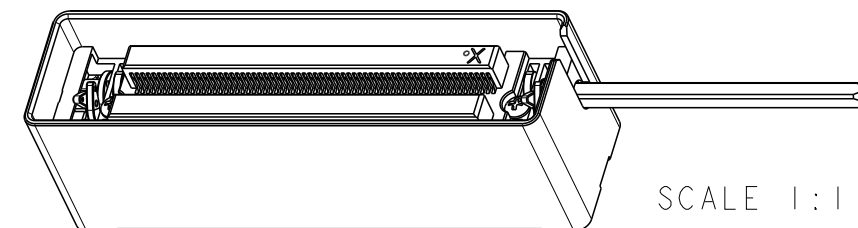
REVISIONS

P	LTR	DESCRIPTION	DATE	DWN	APVD
-	-	SEE SHEET 1	-	-	-

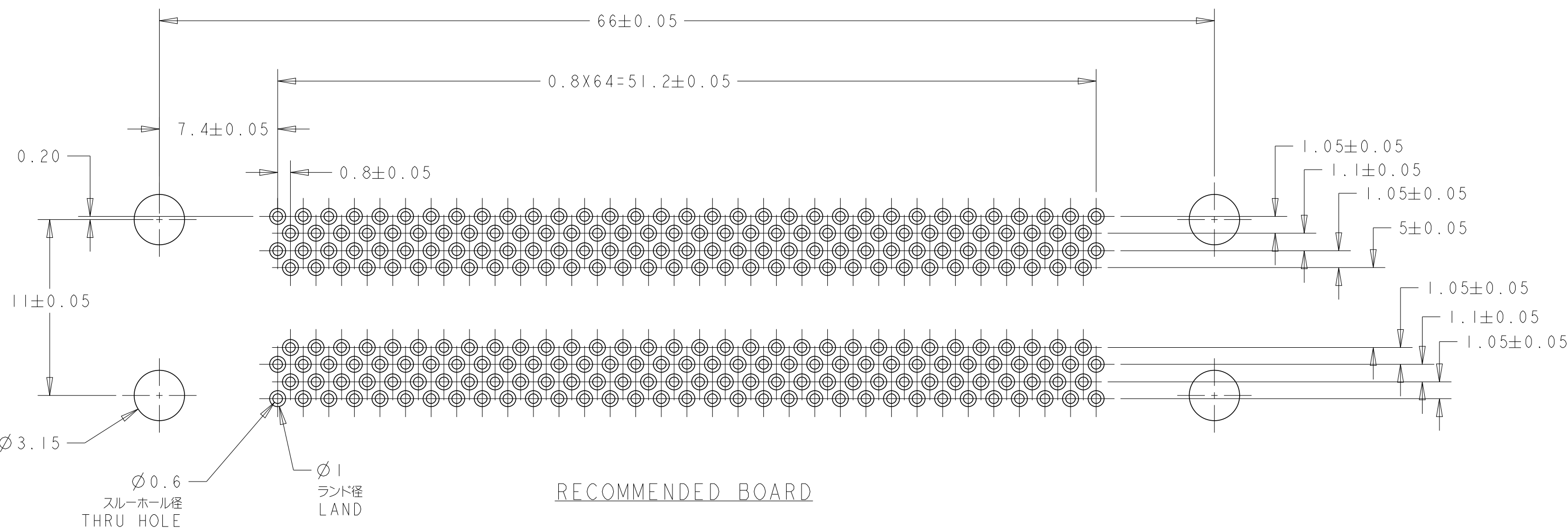
1 MATING AREA: 1μmMIN GOLD PLATING
OVER 2.5μmMIN NICKEL
SOLDERING AREA: GOLD FLASH
OVER 2.5μmMIN NICKEL
OTHERS: 2.5μmMIN NICKEL


2 BY ROTATING 60±5 DEGREES OF SHAFT CLOCKWISE,
CONNECTOR IS MATED WITH HDR.
CONTACT ENGAGEMENT : 15±5DEG.

3. PIN ASSIGNMENTS AS A REFERENCE



SCALE 1:1



THIS DRAWING IS A CONTROLLED DOCUMENT.		DWN T.Kanno	5MAR2007	 TE Connectivity	NAME REC ASSEMBLY TC-ZIF CONNECTOR 0.8mm PITCH 260P
DIMENSIONS: mm		CHK M.Kimura	5MAR2007		
TOLERANCES UNLESS OTHERWISE SPECIFIED:		APVD M.Kimura	5MAR2007		
0 PLC ±0.2 1 PLC ±0.15 2 PLC ±0.1 3 PLC ± 4 PLC ± ANGLES ±3		PRODUCT SPEC 108-5771	APPLICATION SPEC 114-5505		
MATERIAL -	FINISH -	WEIGHT -	CUSTOMER DRAWING	SIZE A3	CAGE CODE G-6565204
SCALE 3:2				SHEET 2 OF 2	REV G

X-ON Electronics

Largest Supplier of Electrical and Electronic Components

Click to view similar products for [Standard Card Edge Connectors](#) category:

Click to view products by [TE Connectivity](#) manufacturer:

Other Similar products are found below :

[CR7E-30DB-3.96E\(72\)](#) [6364499-1](#) [6565204-6](#) [PKC-156](#) [1437274-4](#) [147889-1](#) [1489165-4](#) [EBT15622B2X](#) [1-582587-1](#) [284-0102-12100](#)
[286-0052-12101A](#) [306022901000000](#) [307-012-502-202](#) [307-056-520-300](#) [2129318-1](#) [245-062-520-350](#) [287-0032-12101](#) [306-028-525-102](#)
[307-072-526-202](#) [345-060-559-303](#) [392-008-559-201](#) [534671-1](#) [341-240-317](#) [345-044-500-300](#) [346-240-318](#) [395-100-524-300](#) [09-07-2032](#)
[10035388-802LF](#) [10115859-011LF](#) [10122859-009LF](#) [10127905-B04B24BLF](#) [530555-1](#) [5-678046-1](#) [73726-0005](#) [66308-1](#) [1-1437275-6](#)
[PEC-07-02-T-S-A](#) [346-014-520-801](#) [307-048-502-202](#) [CE100F22-9-C](#) [CE100F26-7-C](#) [CE100F28-3-D](#) [CE156F18-9-C](#) [CE156F22-5-D](#)
[CE156F22-9-C](#) [CT100F22-2-D](#) [CT100F22-3-D](#) [CT100F24-2-D](#) [CT100F24-3-D](#) [CT100F24-6-C](#)