

| REVISIONS | | | | |
|-----------|-----|------------------|-----------|--------|
| P | LTR | DESCRIPTION | DATE | APVD |
| | D | PRODUCTION ISSUE | 28JAN2019 | PNT MT |

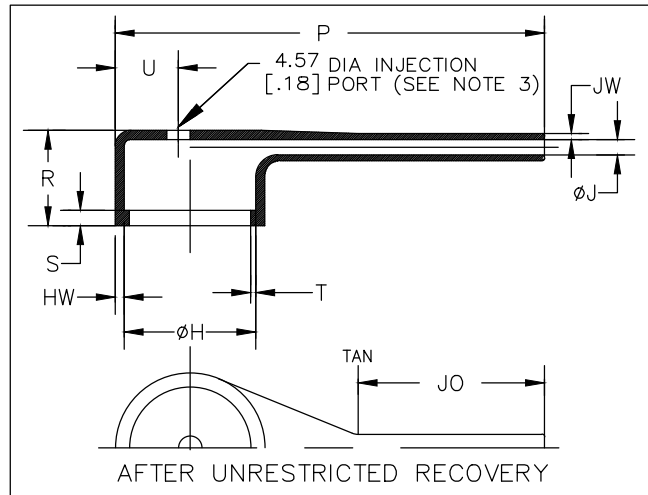
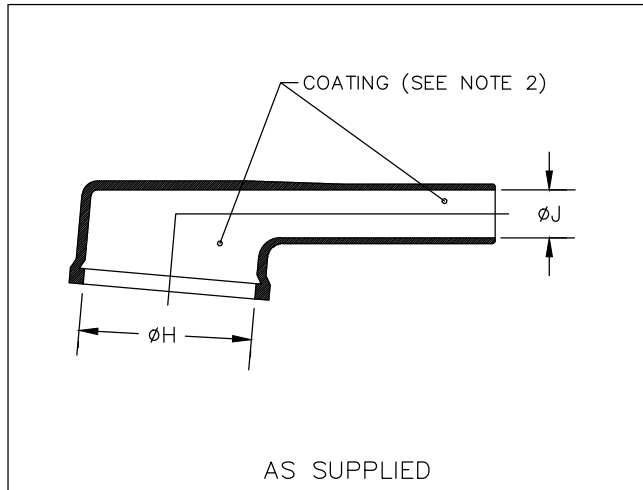


TABLE OF DIMENSIONS


| PART NUMBER | H | | J | | P | R | S | T | U | JO | HW | JW |
|----------------|----------------|----------------|---------------|--------------|-----------------|---------------|---------------|----------------|---------------|----------------|---------------|----------------|
| | Min a | Max b | Min a | Max b | ±10% b | Ref b | Ref b | Ref b | ±10% b | ±10% b | ±20% b | ±20% b |
| 222D921-25/225 | 19.3 [.76] | 13.0 [.51] | 6.3 [.25] | 2.1 [.08] | 44.5 [1.75] | 16.3 [.64] | 3.05 [.12] | 1.02 [.04] | 5.6 [.22] | 21.8 [.86] | 1.52 [.06] | 1.14 [.045] |
| 222D932-25/225 | 26.1 [1.03] | 19.1 [.75] | 7.6 [.30] | 2.6 [.10] | 67.3 [2.65] | 18.0 [.71] | 3.05 [.12] | 1.02 [.04] | 8.4 [.33] | 29.2 [1.15] | 1.78 [.07] | 1.14 [.045] |
| 222D953-25/225 | 34.2 [1.35] | 26.0 [1.02] | 9.6 [.38] | 3.0 [.12] | 81.3 [3.20] | 18.8 [.74] | 3.05 [.12] | 1.02 [.04] | 11.4 [.45] | 36.3 [1.39] | 1.78 [.07] | 1.14 [.045] |
| 222D963-25/225 | 43.6 [1.72] | 34.1 [1.34] | 11.4 [.45] | 3.6 [.14] | 115.6 [4.55] | 21.3 [.84] | 3.05 [.12] | 1.65 [.065] | 15.5 [.61] | 47.0 [1.85] | 1.78 [.07] | 1.14 [.045] |

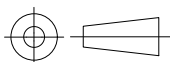
RELEASED FOR PUBLICATION

ALL RIGHTS RESERVED.

THIS DRAWING IS UNPUBLISHED.

© COPYRIGHT - TE Connectivity Ltd.

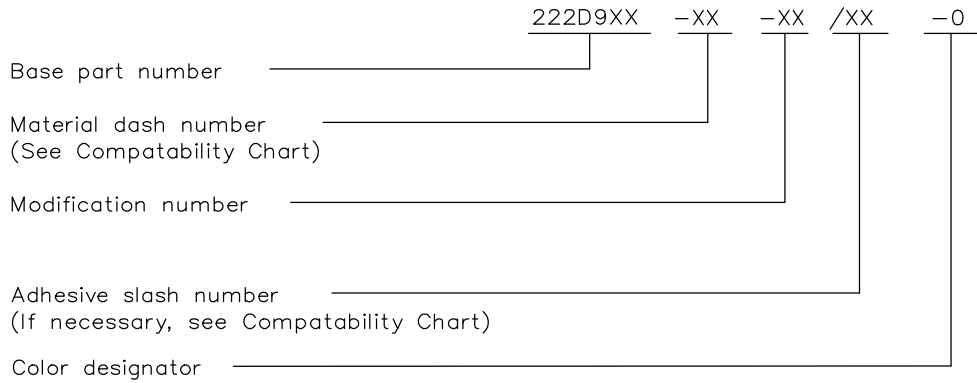
| | | | | | | |
|--|--------------------|-----------|---|-------------|--------------------|---------------|
| DIMENSIONS: mm [INCHES] | DWN PRAVEEN N T | 28JAN2019 | MATERIAL | SEE SHEET 2 | FINISH | - |
| | CHK N NAGAR | 28JAN2019 |  TE Connectivity Ltd. | | | |
| TOLERANCES UNLESS OTHERWISE SPECIFIED: | APVD M TAYLOR | 28JAN2019 | | | | |
| 0 PLC ± - | PRODUCT SPEC | - | NAME BOOT, 90 DEGREES, WITH LIP | | | |
| 1 PLC ± - | APPLICATION SPEC | - | SIZE | CAGE CODE | DRAWING NO | RESTRICTED TO |
| 2 PLC ± - | | | A4 | 00779 | C-222D9XX-25/225-0 | - |
| 3 PLC ± - | | | CUSTOMER DRAWING | | | |
| 4 PLC ± - | | | SCALE | DNS | SHEET | 1 OF 2 |
| ANGLES ± - | | | REV D | | | |



| REVISIONS | | | | |
|-----------|-----|-------------|------|------|
| P | LTR | DESCRIPTION | DATE | APVD |
| | - | SEE SHEET 1 | - | - |

| COMPATABILITY CHART | | | | |
|---------------------|----------------------------|---------|-------------------|-------------------|
| MATERIAL DASH NO. | MATERIAL DESCRIPTION | RT SPEC | COATING SLASH NO. | COATING S NO. |
| -25 | Elastomer, Fluid Resistant | RW-2070 | /42;/86;/225 | S1017;S1048;S1206 |
| | | | | |
| | | | | |
| | | | | |
| | | | | |

ORDERING INFORMATION

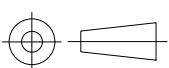


NOTES

- Dimensions appearing in table are as follows:
 - a - As Supplied
 - b - After Unrestricted Recovery
- Coating is optional. As supplied dimensions appearing in table are for uncoated parts. When coating is added, entry diameters will be reduced by 1.5mm[.06] max.
- Molding ports are optional. When -00 modification number is specified molding ports will be located as shown.

THIS DRAWING IS UNPUBLISHED. ALL RIGHTS RESERVED. © COPYRIGHT - TE Connectivity Ltd.

| | | | | | |
|--|---------------------------------|----------------------|-------------|------------------------------------|---------------|
| DIMENSIONS: mm [INCHES] | DWN PRAVEEN N T 28JAN2019 | MATERIAL - | FINISH - | | |
| | CHK N NAGAR 28JAN2019 | TE Connectivity Ltd. | | | |
| TOLERANCES UNLESS OTHERWISE SPECIFIED: | APVD M TAYLOR 28JAN2019 | | | NAME BOOT, 90 DEGREES, WITH LIP | |
| 0 PLC ± - | PRODUCT SPEC | SIZE | CAGE CODE | DRAWING NO | RESTRICTED TO |
| 1 PLC ± - | APPLICATION SPEC | A4 | 00779 | C-222D9XX-25/225-0 | - |
| 2 PLC ± - | WEIGHT | CUSTOMER DRAWING | | | SCALE |
| 3 PLC ± - | | DNS | | | SHEET |
| 4 PLC ± - | | 2 OF 2 | | | REV |
| ANGLES ± - | | D | | | |



X-ON Electronics

Largest Supplier of Electrical and Electronic Components

Click to view similar products for [Heat Shrink Cable Boots & End Caps](#) category:

Click to view products by [TE Connectivity](#) manufacturer:

Other Similar products are found below :

[577159N001](#) [645494-000](#) [CX4132-000](#) [687025-000](#) [705331-000](#) [718446-000](#) [725666N001](#) [729257-000](#) [F27131-000](#) [F85868-000](#) [770-003S106W2](#) [770-013210W1](#) [770-013311](#) [770-013312](#) [806542N001](#) [807507-000](#) [808059-000](#) [808362-000](#) [808618-000](#) [809125-000](#) [809130-000](#) [809218-000](#) [812014-000](#) [812047-000](#) [813166-000](#) [813767N002](#) [814741-000](#) [819117N001](#) [823026-000](#) [823070-000](#) [825002-000](#) [841189N001](#) [861471-000](#) [866647-000](#) [879515-000](#) [937577-000](#) [957073-000](#) [982033-2](#) [A77813-000](#) [R280576000](#) [D96192-000](#) [163549-000](#) [MTPSRBCL-C](#) [1954015-1](#) [200W531-3-0](#) [202A163-4-0-CS5067](#) [202A343-3-00-0](#) [202B221-13-0](#) [202B231-13-0](#) [202B563-25-07-0](#)