

THIS DRAWING IS UNPUBLISHED. RELEASED FOR PUBLICATION 20  
 © COPYRIGHT 20 BY TYCO ELECTRONICS CORPORATION. ALL RIGHTS RESERVED.

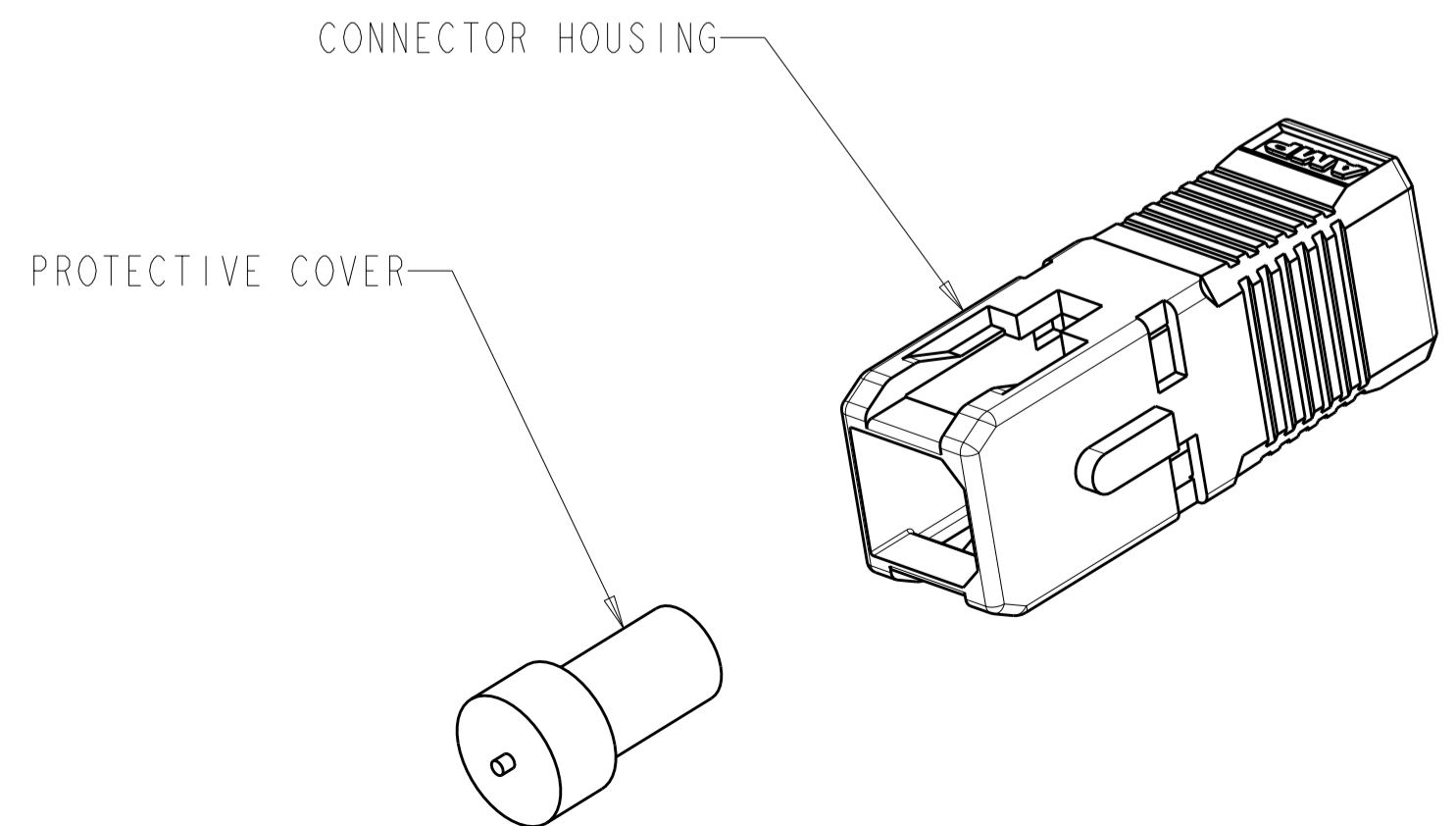
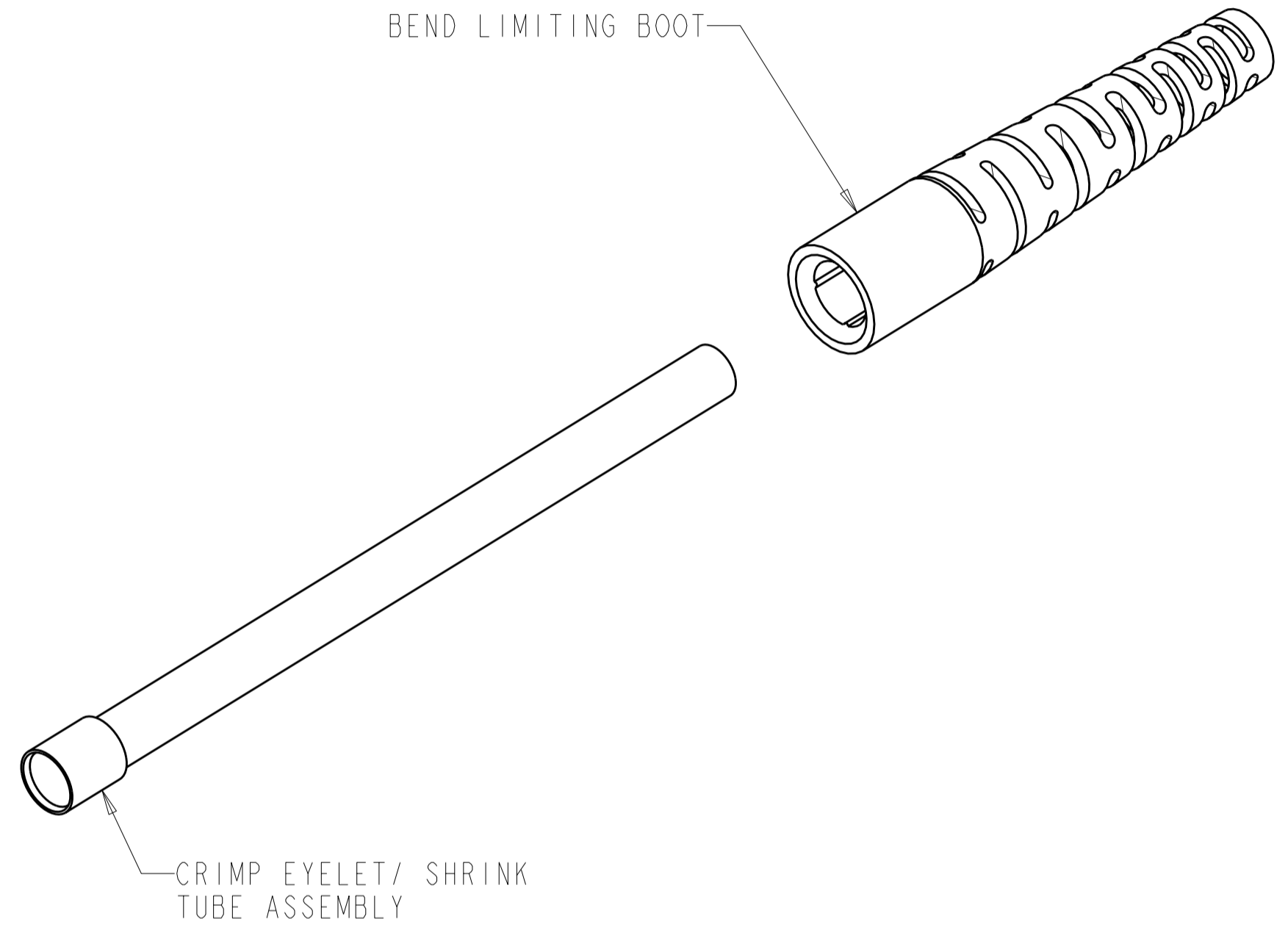
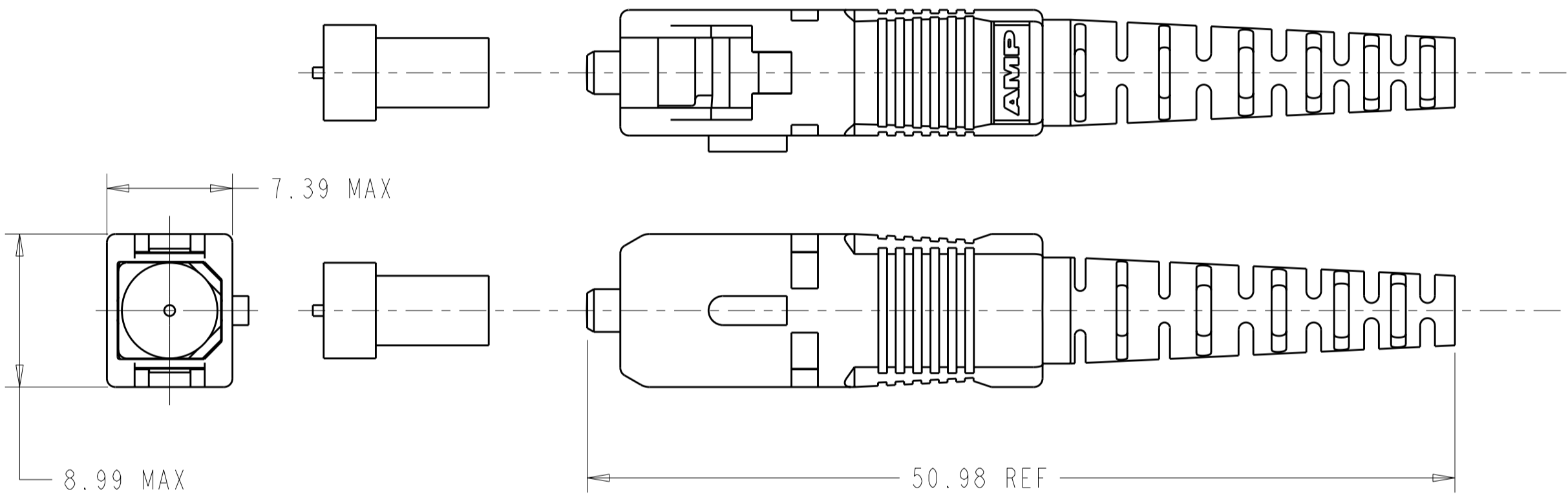
LOC	DIST	REVISIONS			
P	LTR	DESCRIPTION	DATE	DWN	APVD
CE	00	A	RELEASE TO ACTIVE	08JUN2006	BB SM
		AI	ADD NOTE 6.	12MAY2009	KG SB

1 MATERIAL:  
 PROTECTIVE COVER: LDPE, COLOR: BLACK, NON-FR.  
 CONNECTOR HOUSING: PBT-GF17, COLOR: BLUE.\*  
 CONNECTOR SUBASSEMBLY:  
 PLUG BODY: PES-GF20, COLOR: BEIGE.\*  
 FERRULE ASSEMBLY: CERAMIC / PBT-GF17 COLOR: BLUE.\*  
 EPOXY - FILL TUBING: PVC, COLOR: CLEAR, UL VW-1 RATED.  
 SPRING: STAINLESS STEEL.  
 RETAINER BODY: ALUMINUM.  
 CRIMP EYELET/SHRINK TUBE ASSEMBLY: ALUMINUM/POLYOLEFIN,  
 COLOR: YELLOW/BLACK (2.4mm), UL VW-1 RATED.  
 BEND LIMITING BOOT: PP, COLOR: BLUE.\*  
 \*UL94 V-0 RATED AT QUALIFYING THICKNESS.

4. TO BE USED WITH "LOOSE-JACKETED" CABLE.  
 5. CONTAINS NO BOOTS OR EYELETS.  
 6. INSTRUCTION SHEET 408-8674 AVAILABLE FOR DOWNLOAD  
 AT [www.tycoelectronics.com/documents](http://www.tycoelectronics.com/documents) OR  
[www.ampnetconnect.com/foguide](http://www.ampnetconnect.com/foguide).

2 FINISH:  
 RETAINER BODY: CLEAR ANODIZE.  
 CRIMP EYELET: CLEAR ANODIZE.

3 BULK PACKAGE.



3	2.4mm	6588714-6
	2.4mm	6588714-5
3	1.6mm-2.0mm	6588714-4
5/3	1.6mm-2.0mm	6588714-3
	1.6mm-2.0mm	6588714-1
	CABLE SIZE	PART NUMBER

DIMENSIONS:		TOLERANCES UNLESS OTHERWISE SPECIFIED:		DWN		Tyco Electronics	
mm		0 PLC	±	B. BRIGGS	06 JAN 2006	Tyco Electronics Harrisburg, PA 17105-3608	
		1 PLC	±	CHK	06 JAN 2006	NAME FOKIT SC SM SIMPLEX, 1.6mm - 2.4mm CABLE	
		2 PLC	±	S. MILLER	06 JAN 2006		
		3 PLC	±	APVD	06 JAN 2006	SIZE	CAGE CODE
		4 PLC	±	S. BUCHTER		A2	00779
		ANGLES	±	PRODUCT SPEC		DRAWING NO	6588714
		FINISH		APPLICATION SPEC		RESTRICTED TO	
				WEIGHT		SCALE	NTS
				CUSTOMER DRAWING		SHEET	1 OF 1
						REV	AI

## X-ON Electronics

Largest Supplier of Electrical and Electronic Components

*Click to view similar products for [Fiber Optic Connectors](#) category:*

*Click to view products by [TE Connectivity](#) manufacturer:*

Other Similar products are found below :

[0004700001](#) [6100-R](#) [6313](#) [F709034706](#) [F709722200](#) [F718183204](#) [F727403500](#) [F727752800](#) [FCXO-12-3BY](#) [FO-SCREW\(M2X6\)](#) [9440F20-27S-190](#) [944-120-6001](#) [944-125-6003](#) [9441F10SL-3S](#) [9446F10SL-4S](#) [953-101-5310-P](#) [954-101-57202B](#) [A0270169](#) [12-9122](#) [12-5702](#) [143025NC](#) [AX101713](#) [AX102420](#) [AX103923](#) [AX104141](#) [AX104193](#) [AX104228](#) [AX104230](#) [AX104562](#) [AX105203-B25](#) [AX105205-S1](#) [EHSC2M](#) [17-300800](#) [181-011-126](#) [BT34IW](#) [HRFCP-HSCJ-1\(61\)](#) [HRFC-R2\(40\)](#) [NKSOPBUY](#) [20500002116](#) [2064996-1](#) [20800001065](#) [2170](#) [9132](#) [2612](#) [2620](#) [9291](#) [9440F18-19S](#) [9440F20-14P](#) [9440F20-14PW](#) [9440W18-1S](#)