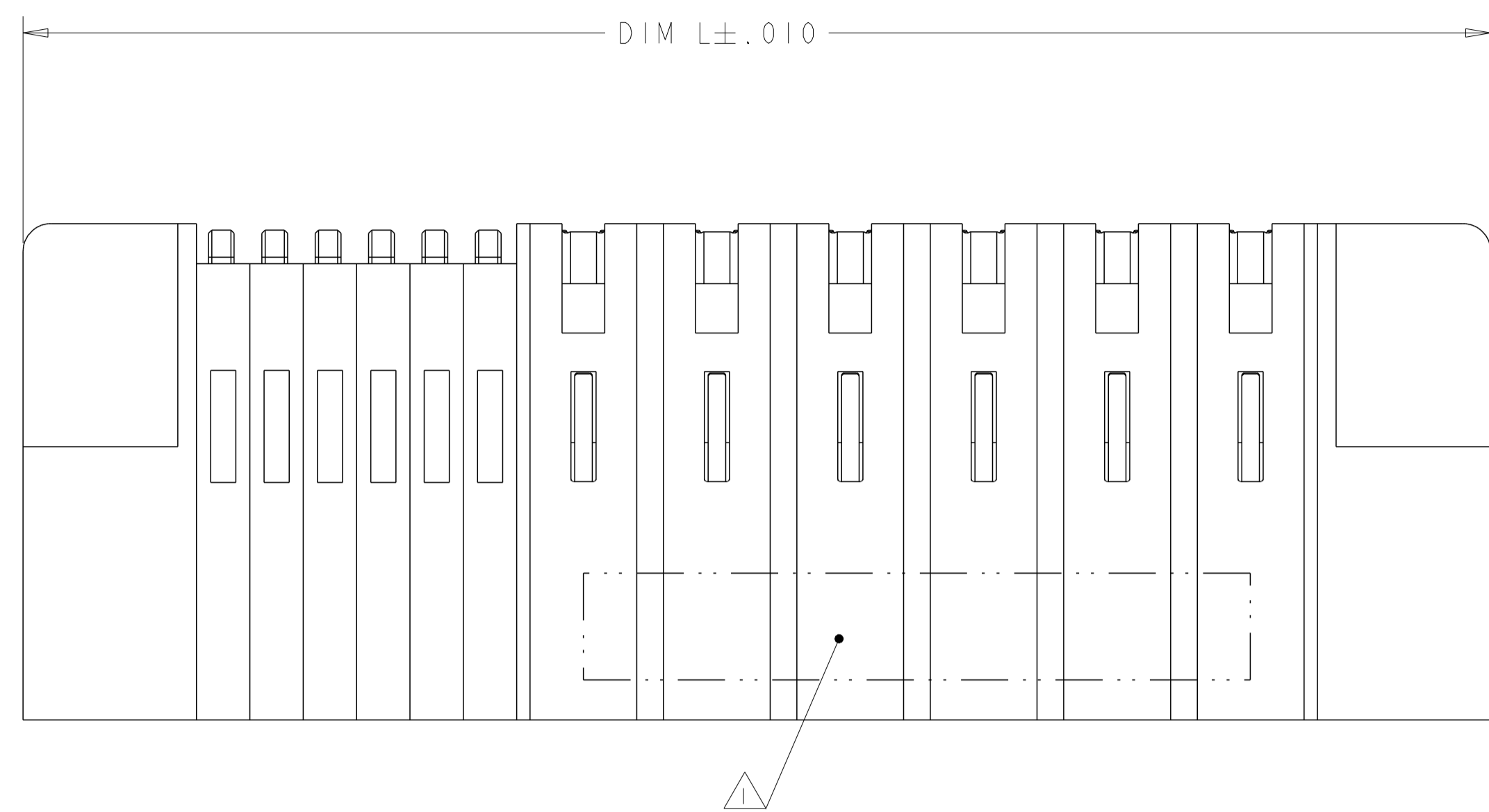
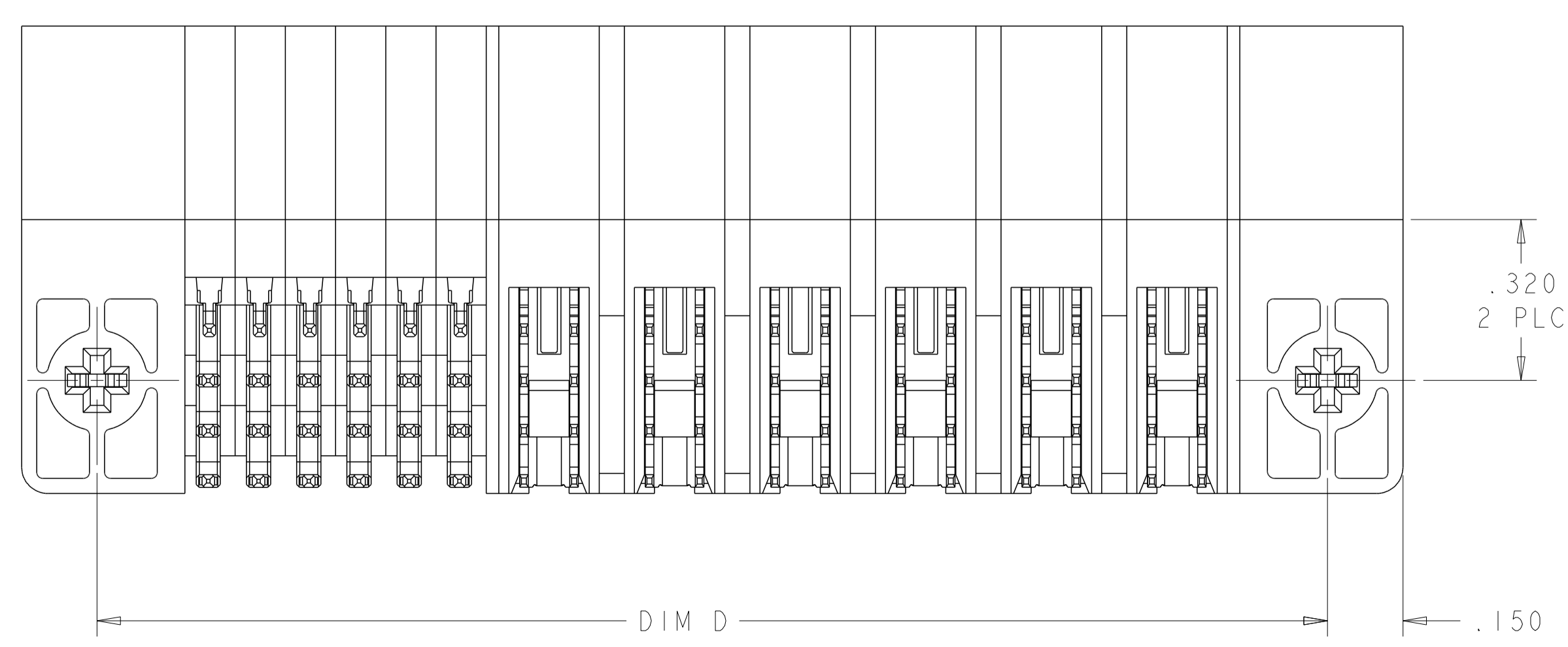
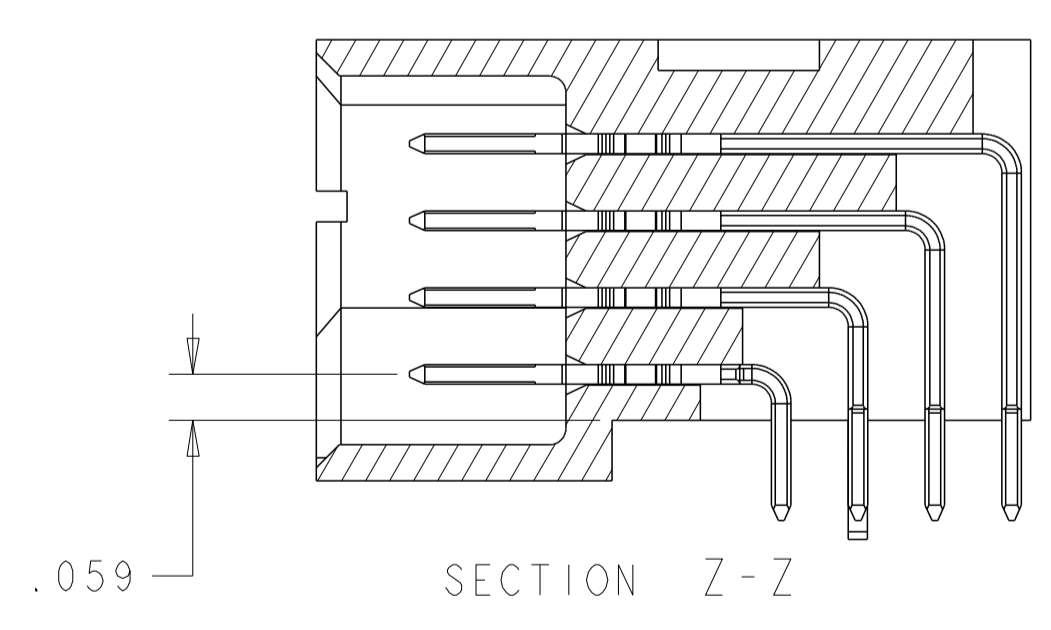
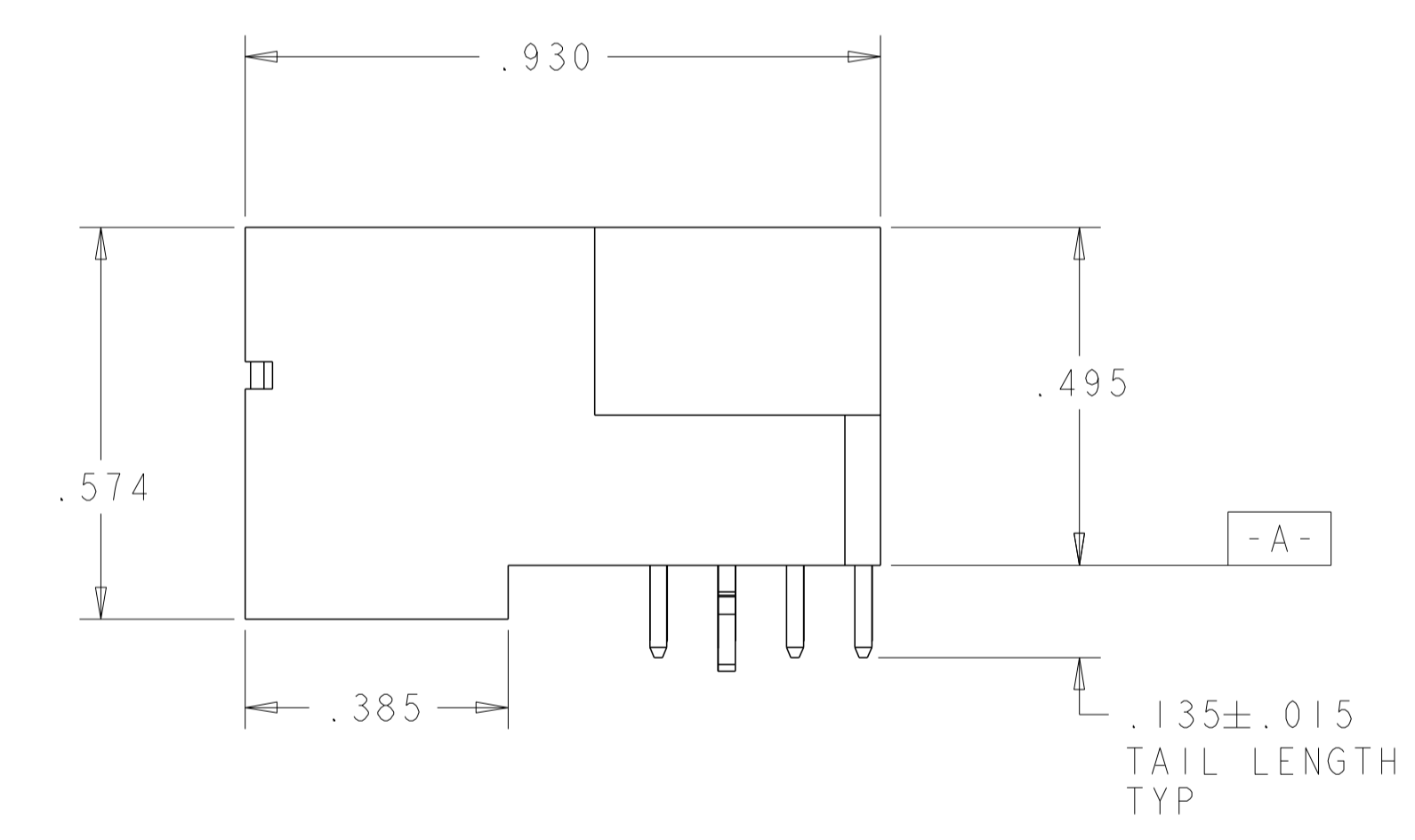
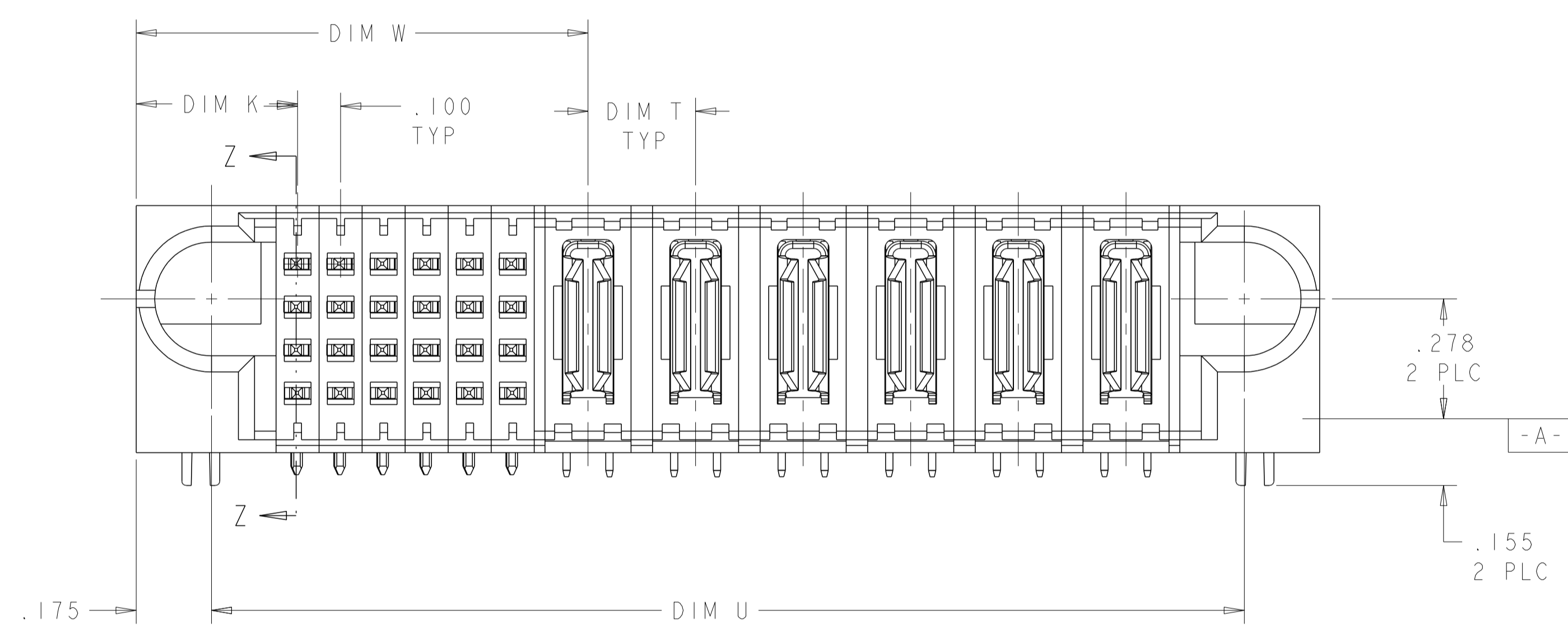


THIS DRAWING IS UNPUBLISHED. RELEASED FOR PUBLICATION 20
 © COPYRIGHT 20 BY - ALL RIGHTS RESERVED.

LOC	DIST	REVISIONS					
GP	00	P	LTR	DESCRIPTION	DATE	DWN	APVD
		D		REV PER ECR-12-003619	27FEB2012	CZ	SZ
		D1		ADDED NEW DASH NUMBER 1-1	04DEC2017	CZ	SZ



- 1 PART NUMBER, AND DATE CODE MARKED IN AREA SHOWN.
- 2 MATERIAL:
 HOUSING - GLASS FILLED HIGH TEMP THERMO PLASTIC, UL94 V-0
 SIGNAL CONTACT - COPPER ALLOY
 POWER CONTACT - HIGH CONDUCTIVITY COPPER ALLOY
- 3 CONTACT PLATING: NOBLE METAL PLATING ON CONTACT FUNCTIONAL AREA OF POWER AND SIGNAL CONTACTS.
- 4 MECHANICAL CONNECTOR KEEP OUT ZONE.
- 5 DATUM AND BASIC DIMENSIONS ESTABLISHED BY CUSTOMER.
- 6 PCB - ALL HOLE DIAMETERS ARE FINISHED HOLE SIZES.
- 7 PCB - .0453 ± .0010 DRILLED HOLES PLATED WITH .0003 MIN Sn OVER .001 TO .003 Cu PLATING TO ACHIEVE A .040 HOLE.
- 8 VARIABLE DIMENSION, SEE VIEW ON SHEET 4



THIS DRAWING IS A CONTROLLED DOCUMENT.		DWN R. GBZYBOWSKI 13JUN05	TE Connectivity	
DIMENSIONS: INCHES		CHK M. PERCHERKE 13JUN05		
TOLERANCES UNLESS OTHERWISE SPECIFIED: 0 PLC ± 1 PLC ±.01 2 PLC ±.005 3 PLC ±.0020 4 PLC ±.0020 ANGLES ±2°		APVD M. PERCHERKE	NAME RIGHT ANGLE HEADER ASSEMBLY W/GUIDES DUAL BEAM XL	
MATERIAL		PRODUCT SPEC 108-1973	SIZE A1	
FINISH		APPLICATION SPEC 114-13038	CAGE CODE C-6600120	
CUSTOMER DRAWING		WEIGHT	DRAWING NO 100779	
		SCALE 4:1	SHEET 1 OF 5	
				REV D

8

7

6

5

4

3

2

1

THIS DRAWING IS UNPUBLISHED. RELEASED FOR PUBLICATION 20
 © COPYRIGHT 20 BY ALL RIGHTS RESERVED.

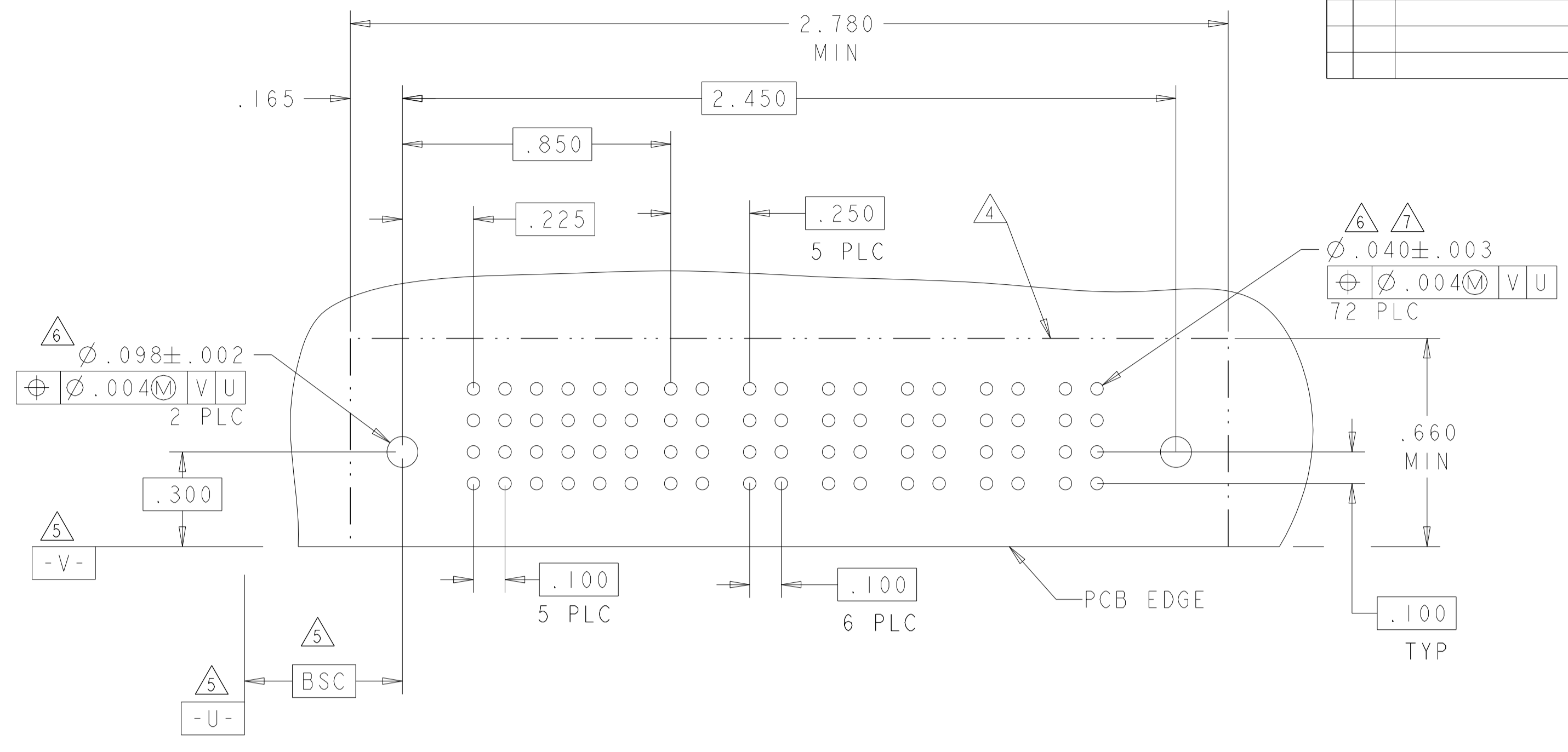
LOC	DIST	REVISIONS			
P	LTR	DESCRIPTION	DATE	DWN	APVD
-	-	SEE SHEET 1	-	-	-

.250	2.450	2.400	1.050	.375	2.750	24S + 6P	1-6600120-1
.200	3.375	3.325	1.050	.375	3.675	24S + 12HDP	1-6600120-0
.250	2.450	2.400	1.050	.375	2.750	24S + 6P	6600120-9
.250	3.450	3.400	1.050	.375	3.750	24S + 10P	6600120-8
.250	3.450	3.400	1.050	.375	3.750	24S + 10P	6600120-3
.250	2.450	2.400	1.050	.375	2.750	24S + 6P	6600120-2
	3.850	3.800	.900	.400	4.150	12S + 11P	6600120-1
DIM T	DIM D	DIM U	DIM W	DIM K	DIM L	DESCRIPTION	PART NUMBER

THIS DRAWING IS A CONTROLLED DOCUMENT.		DWN R. GBZYBOWSKI	13JUN05		TE Connectivity	
DIMENSIONS: INCHES		CHK M. PERCHERKE	13JUN05		APVD M. PERCHERKE	NAME
TOLERANCES UNLESS OTHERWISE SPECIFIED: 0 PLC ± 1 PLC ± 2 PLC ±.01 3 PLC ±.005 4 PLC ±.002 ANGLES ±2°		PRODUCT SPEC 108-1973		APPLICATION SPEC 114-13038	SIZE	A1
MATERIAL	FINISH	WEIGHT	CAGE CODE	DRAWING NO	RESTRICTED TO	
-	-	-	100779	C=6600120	CUSTOMER DRAWING	SCALE 4:1 SHEET 2 OF 5 REV D1

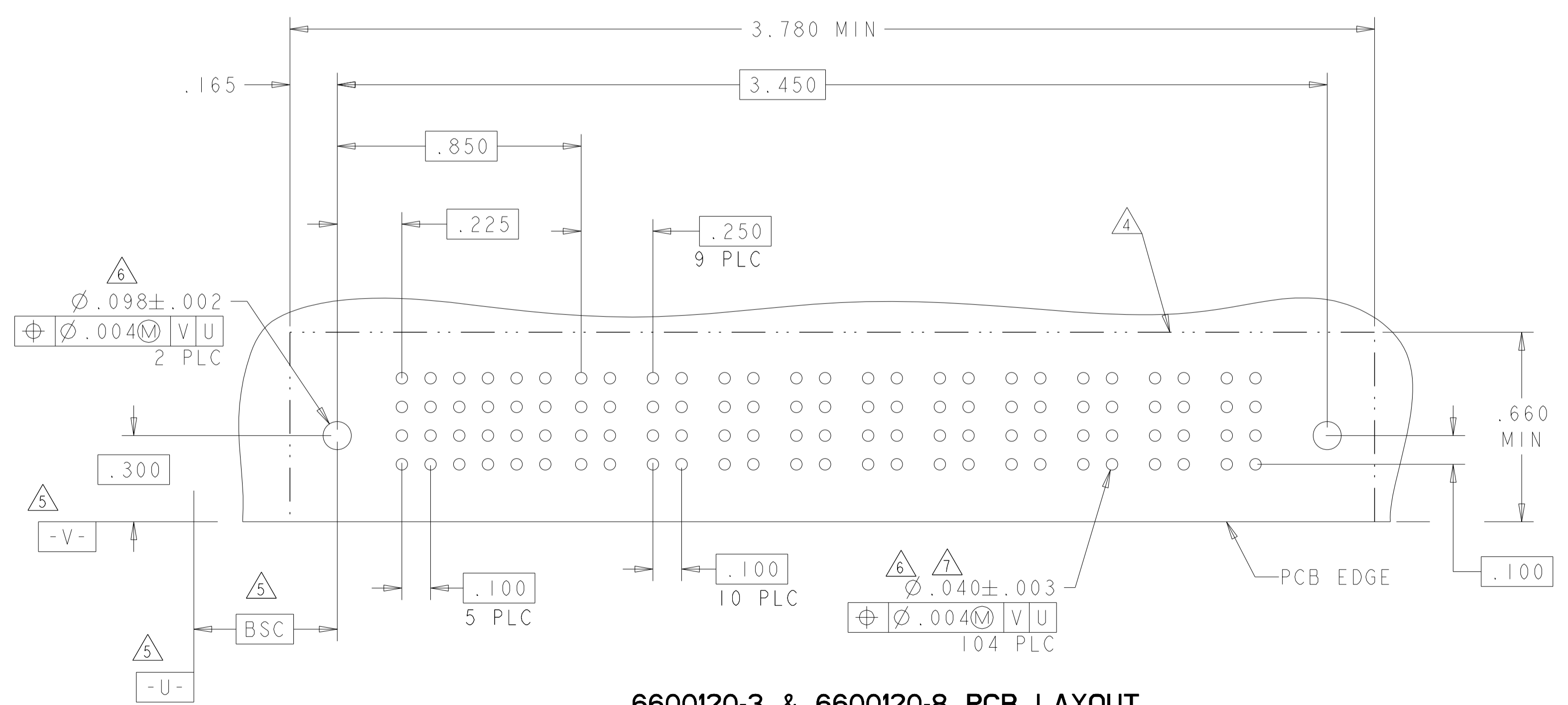
LOC	DIST	REVISIONS			
P	LTR	DESCRIPTION	DATE	DWN	APVD
-	-	SEE SHEET 1	-	-	-

PART NUMBER	ROWS	SIGNAL						POWER									
		1	2	3	4	5	6	P1	P2	P3	P4	P5	P6				
6600120-2	D	J	J	J	J	J	J	PS	PS	PS	PS	PS	PS				
	C	K	K	K	K	K	K										
	B	N	N	N	N	N	N										
	A	S	S	S	S	S	S										
24S + 6P		HD														HD	



PART NUMBER	ROWS	SIGNAL						POWER											
		1	2	3	4	5	6	P1	P2	P3	P4	P5	P6	P7	P8	P9	P10		
6600120-3	D	J	J	J	J	J	J	PS	PS	PS	PS	PS	PS	PS	PS	PS	PS		
	C	K	K	K	K	K	K												
	B	N	N	N	N	N	N												
	A	S	S	S	S	S	S												
24S + 10P		HD																HD	

PART NUMBER	ROWS	SIGNAL						POWER											
		1	2	3	4	5	6	P1	P2	P3	P4	P5	P6	P7	P8	P9	P10		
6600120-8	D	J	J	J	J	J	J	PS	PS	PS	PS	PS	PS	PS	PS	PS	PS		
	C	K	K	K	K	F	K												
	B	N	N	N	N	G	N												
	A	H	S	S	S	S	S												
24S + 10P		HD																HD	



6600120-3 & 6600120-8 PCB LAYOUT

CODE	MATING SEQUENCE	TAIL LENGTH	ROW
E	MLBF	.135	D
F	MLBF	.135	C
G	MLBF	.135	B
H	MLBF	.135	A
J	STD	.135	D
K	STD	.135	C
N	STD	.135	B
S	STD	.135	A

PS	.135
CODE	TAIL LENGTH
POWER CONTACT	
SIGNAL CONTACT	

THIS DRAWING IS A CONTROLLED DOCUMENT.

DIMENSIONS: INCHES	TOLERANCES UNLESS OTHERWISE SPECIFIED:	DWN R. GRZYBOWSKI 13JUN05	CHK M. PERCHERKE 13JUN05	APVD M. PERCHERKE	NAME	
0 PLC ±	1 PLC ±	2 PLC ±.01	3 PLC ±.005	4 PLC ±.002	ANGLES ±2°	PRODUCT SPEC
MATERIAL	FINISH	108-1973	APPLICATION SPEC	114-13038	RESTRICTED TO	
CUSTOMER DRAWING		SCALE 4:1	SHEET 3 OF 5	REV D		

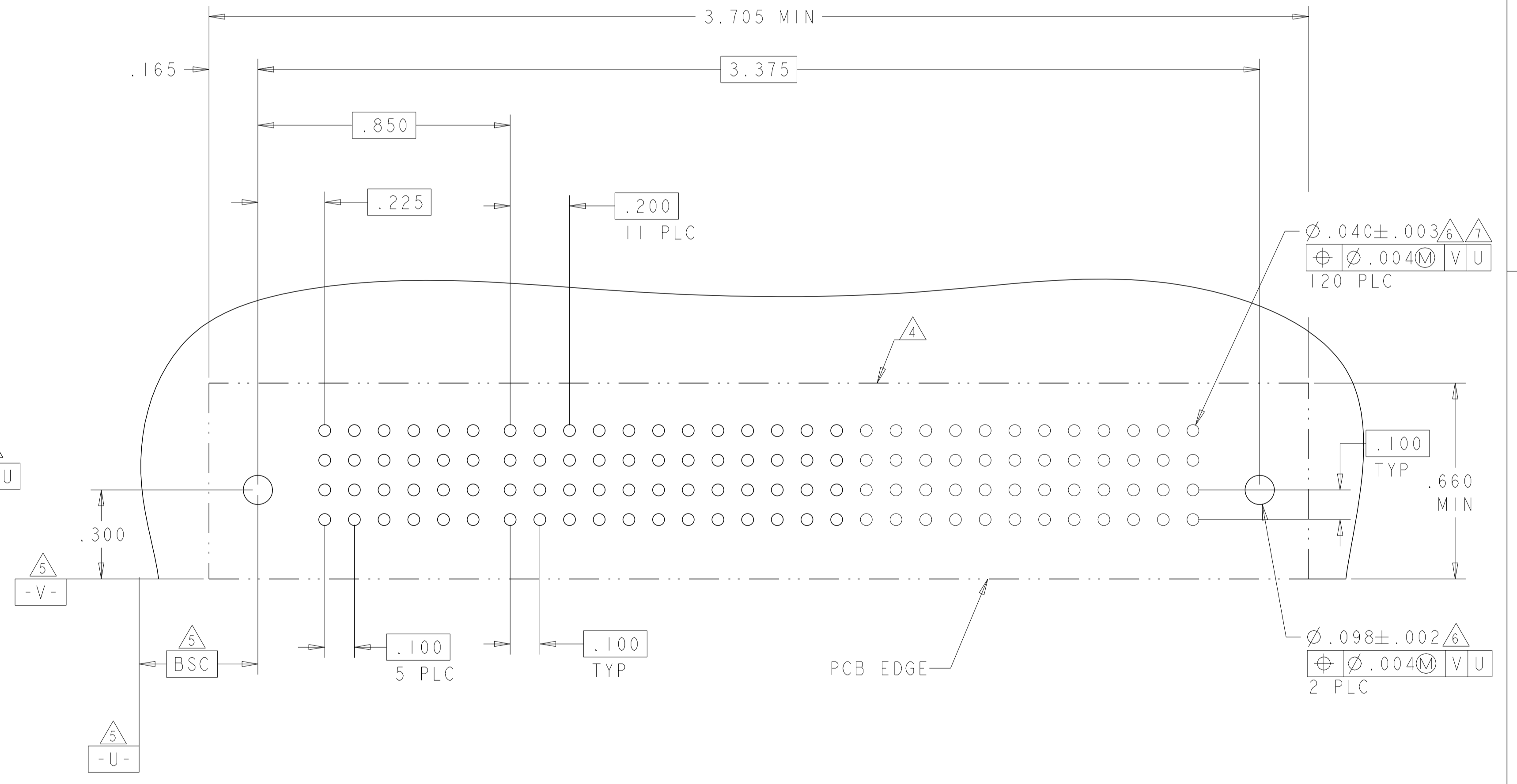
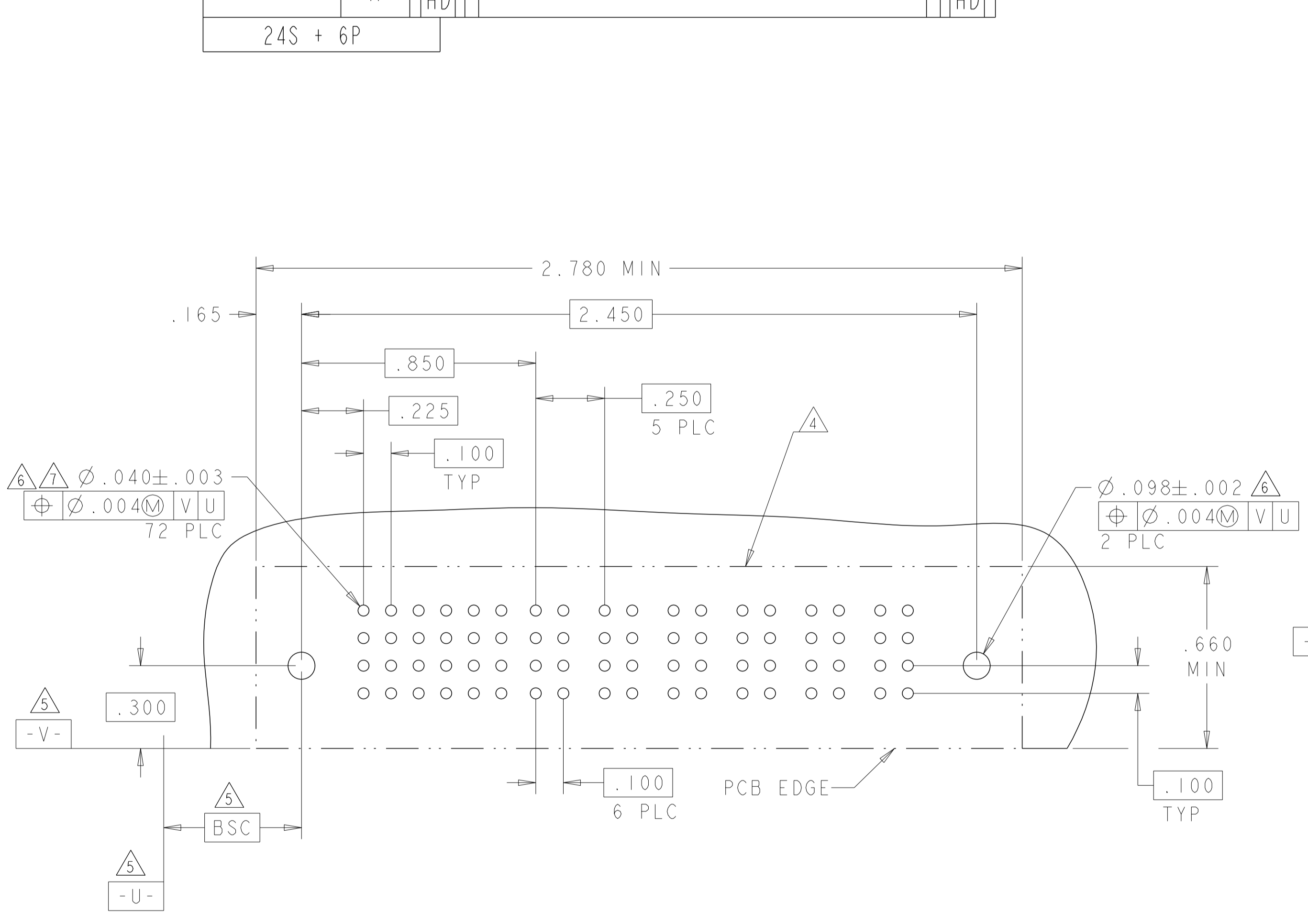
STE TE Connectivity
 RIGHT ANGLE HEADER ASSEMBLY W/GUIDES DUAL BEAM XL
 SIZE CAGE CODE DRAWING NO. A100779 C=6600120

LOC	DIST	REVISIONS			
P	LTR	DESCRIPTION	DATE	DWN	APVD
-	-	SEE SHEET 1	-	-	-

PART NUMBER	ROWS	SIGNAL						POWER					
		1	2	3	4	5	6	P1	P2	P3	P4	P5	P6
6600120-9	D C B A	J	J	J	J	J	J	PS	PS	PS	PS	PS	PS
		K	K	K	K	F	K						
		N	N	N	N	G	N						
		H	S	S	S	H	S						
24S + 6P													

PART NUMBER	ROWS	SIGNAL						POWER													
		1	2	3	4	5	6	P1	P2	P3	P4	P5	P6	P7	P8	P9	P10	P11	P12		
1-6600120-0	D C B A	J	J	J	J	J	E	PS	PS	PS	PS	PS	PS	PS	PS	PS	PS	PS	PS	PS	
		K	K	K	F	K	K														
		N	N	N	G	N	N														
		S	H	S	H	S	S														
24S + 12HDP																					

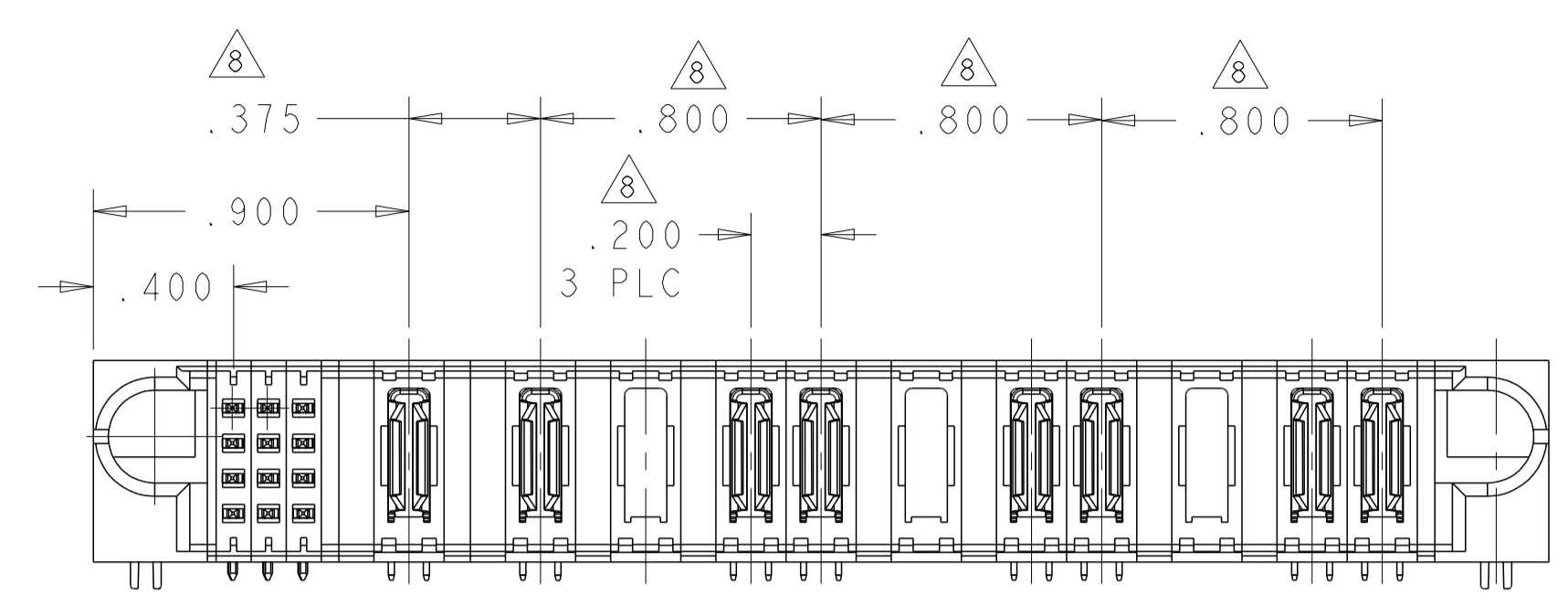
PART NUMBER	ROWS	SIGNAL						POWER					
		1	2	3	4	5	6	P1	P2	P3	P4	P5	P6
1-6600120-1	D C B A	J	J	J	J	J	J	PS	PS	PS	PS	PS	PS
		K	K	K	K	K	K						
		N	N	N	G	N	N						
		S	S	S	S	S	S						
24S + 6P													



6450120-9 AND 1-6600120-1 PCB LAYOUT

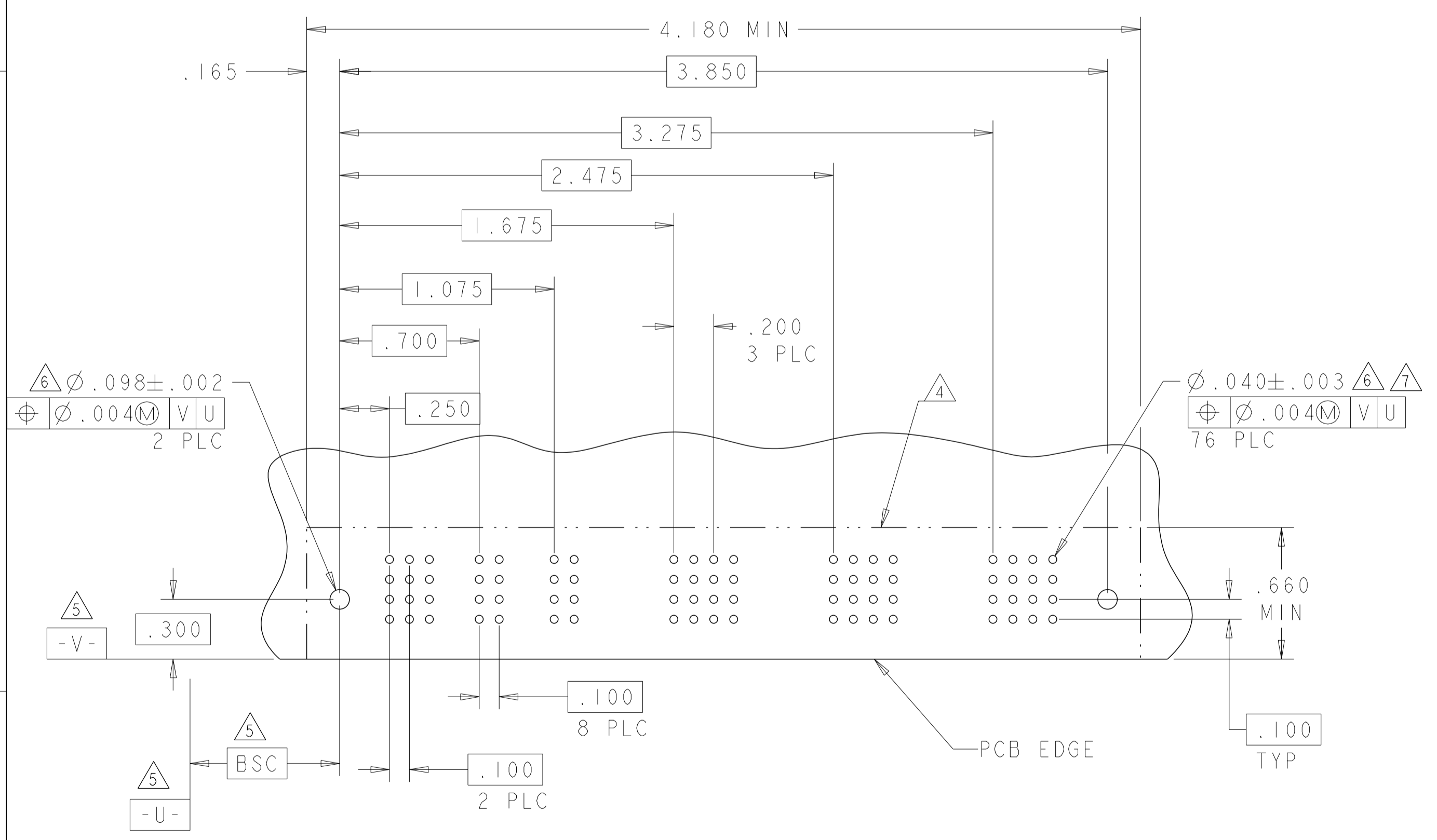
THIS DRAWING IS A CONTROLLED DOCUMENT.		DWN R. GBZYBOWSKI	13JUN05	TE Connectivity
DIMENSIONS: INCHES		CHK M. PERCHERKE	13JUN05	
TOLERANCES UNLESS OTHERWISE SPECIFIED: 0 PLC ±. 1 PLC ±. 2 PLC ±.01 3 PLC ±.005 4 PLC ±.0020 ANGLES ±2°		APVD M. PERCHERKE	NAME RIGHT ANGLE HEADER ASSEMBLY W/GUIDES DUAL BEAM XL	RESTRICTED TO
MATERIAL	FINISH	PRODUCT SPEC 108-1973	APPLICATION SPEC 114-13038	SIZE A1
CUSTOMER DRAWING		WEIGHT	SCALE 4:1	SHEET 4 OF 5

LOC		DIST		REVISIONS				
P	LTR	DESCRIPTION	DATE	DWN	APVD			
-	-	SEE SHEET 1	-	-	-			



PART NUMBER	ROWS	SIGNAL			POWER												
		1	2	3	P1	P2	P3	P4	P5	P6	P7	P8	P9	P10	P11		
6600120-1	D C B A	J K N S	J K N S	J K N S	PS	PS		PS	PS			PS	PS			PS	PS
12S + 11P		HD														HD	

NO CONTACTS LOADED



THIS DRAWING IS A CONTROLLED DOCUMENT. DWN R.GBZYBOWSKI 13JUN05
 CHN M.PERCHEK 13JUN05

STE TE Connectivity

NAME: RIGHT ANGLE HEADER ASSEMBLY
 W/GUIDES
 DUAL BEAM XL

PRODUCT SPEC: 108-1973
 APPLICATION SPEC: 114-13038

SIZE: A1 CAGE CODE: 100779 DRAWING NO: C-6600120 RESTRICTED TO: -

MATERIAL: - FINISH: - WEIGHT: -

CUSTOMER DRAWING SCALE: 4:1 SHEET 5 OF 5 REV: D1

X-ON Electronics

Largest Supplier of Electrical and Electronic Components

Click to view similar products for [Power to the Board](#) category:

Click to view products by [TE Connectivity](#) manufacturer:

Other Similar products are found below :

[10131318-08512GRLF](#) [6450171-4](#) [6450552-7](#) [6600323-8](#) [6643429-1](#) [6646040-2](#) [6651939-1](#) [6766604-1](#) [120959-1](#) [1393557-2](#) [1393532-2](#)
[1393532-3](#) [1393532-4](#) [1393557-1](#) [1600812-5](#) [1-6450861-2](#) [1645595-1](#) [1743490-1](#) [1744132-7](#) [1761122-1](#) [1766169-1](#) [1766250-1](#) [18362](#)
[1892109-1](#) [1-967627-6](#) [2226808-1](#) [2-6450860-5](#) [2-6450860-6](#) [2-6450870-0](#) [93003-0502](#) [953552-1](#) [1-6450161-4](#) [1-6450850-6](#) [1645526-2](#) [1-](#)
[6600130-0](#) [1743419-1](#) [1766150-1](#) [2005243-2](#) [211110-1](#) [2-6600130-2](#) [TE34-12-16P-F0](#) [51700-10201602AALF](#) [5-6450830-6](#) [5646956-4](#)
[36662-0005](#) [40585-3000](#) [4-6450830-9](#) [4-6600333-3](#) [51142-0214](#) [10125416-4050LF](#)