

SAFETY ORGANIZATION(S):

THIS FILTER HAS BEEN FORMALLY RECOGNIZED, CERTIFIED OR APPROVED BY THE LISTED AGENCY. THEREFORE, ALL TEST/REQUIREMENTS SPECIFIED IN THE LATEST REVISION OF THE FOLLOWING AGENCY STANDARDS HAVE BEEN MET.

- UL 544
- CSA 22.2, NO. 0, 0, 4, 8
- VDE 565-3, 625

OPERATING SPECIFICATIONS:

- LINE VOLTAGE/CURRENT: 6 AMP., 120/250 VAC
- LINE FREQUENCY: 6 AMP./40°C, 250 VAC 50-60Hz 40°C
- MAX. CASE RISE & RATED CURRENT: 2mA at 120V 60 Hz
- MAX. LEAKAGE CURRENT, EACH LINE TO GROUND: 5µA at 250V 50 Hz
- OPERATING AMBIENT TEMP. RANGE: -10°C TO +40°C @ RATED CURRENT, I_r
- IN AN AMBIENT, T_a, HIGHER THAN 40°C, THE MAXIMUM OPERATING CURRENT, I_o, IS AS FOLLOWS:

$$I_o = I_r \sqrt{\frac{85 - T_a}{45}}$$

RELIABILITY SPECIFICATIONS:

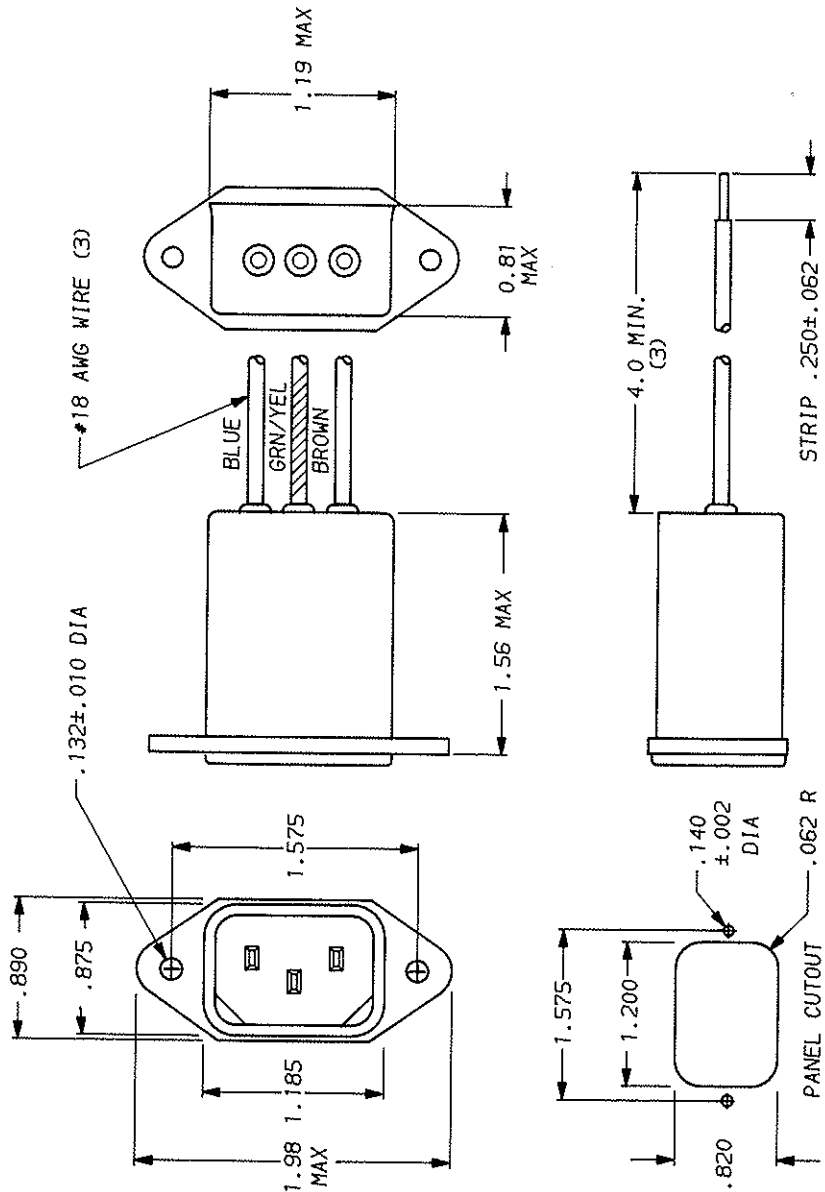
- STORAGE TEMPERATURE: -40°C TO +85°C
- HUMIDITY: 21 DAYS @ 40°C 95% RH
- CURRENT OVERLOAD TEST: 6 TIMES RATED CURRENT FOR 8 SECONDS

TEST SPECIFICATIONS:

- INDUCTANCE: .465 mH NOMINAL
- CAPACITANCE, (MEASURED @ 1 KHz, 0.25 VAC MAX., 25°C ±1°C) LINE TO LINE: .01µF ±20%
- DISCHARGE RESISTOR: 1.5 MΩ
- LINE/GROUND AND LINE/LINE: 6000 MΩ (MIN) AT 100 VDC
- INSULATION RESISTANCE (X/O DISCHARGE RESISTOR): 20°C AND 50% RH
- RECOMMENDED RECEIVING INSPECTION HIPOT: LINES TO GROUND: 2250 VDC FOR 1 MINUTE
- LINE TO LINE: 1450 VDC FOR 1 MINUTE

FILTER APPROVAL:

THE BEST WAY TO SELECT AND QUALIFY A FILTER IS FOR YOUR ENGINEERING TO TEST THE UNIT IN YOUR EQUIPMENT.



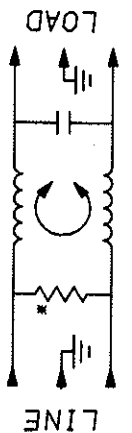
50Ω - 50n (MINIMUM) INSERTION LOSS									
FREQUENCY MHz	.15	.5	1.0	5.0	10	20	30		
COMMON	9	16	20	26	23	20	18		

This document is proprietary to CORCOM INC. and is not to be reproduced nor used for manufacturing purposes except on CORCOM'S order or prior written consent.

TOLERANCE EXCEPT AS NOTED
 DECIMAL: .XXX .XX .X ANGLES ± 1°
 ENGLISH: ±.015
 METRIC: ±
 MATERIAL: AS SUPPLIED
 FINISH: AS SUPPLIED

corcom
 LIBERTYVILLE, IL 60048
POWER LINE FILTER

SCALE: NTS	DATE: 8-14-90	DWG. NO.:	REV.:
DRW. BY: CFW	ORIGINATOR: CFW		6EHB.01



*RESISTOR ADDED TO PRODUCT BUILT AFTER 3-30-92 (9212).

X-ON Electronics

Largest Supplier of Electrical and Electronic Components

Click to view similar products for [AC Power Entry Modules](#) category:

Click to view products by [TE Connectivity](#) manufacturer:

Other Similar products are found below :

[0098.0050](#) [6167.0002](#) [6609100-2](#) [7-6609955-2](#) [FKI2-50-6/M5](#) [FN361-6-06](#) [FN389-4-22](#) [FN9226B-6-02](#) [FN9233S1-10-06](#) [FN9233S1-8-06](#)
[FN9233S1B-8-06](#) [FN9233S1R-1-06](#) [FN9233S1R-12-06](#) [FN9233SB-1-06](#) [FN9233SB-12-06](#) [FN9233SB-8-06](#) [FN9233SR-10-06](#) [FN9244B-15-06HI](#) [FN9244EB-3-06](#) [FN9244EB-8-06](#) [FN9244ER-15-06](#) [FN9244ER-8-06](#) [FN9244ES1-8-06](#) [FN9244ESB-8-06](#) [FN9244R-12-06](#)
[FN9244S1-12-06](#) [FN9244S1R-3-06](#) [FN9244SB-8-06](#) [FN9244SR-6-06](#) [FN9244U-3-06](#) [FN9244U-8-06](#) [8-6609940-2](#) [PE00SSSXB](#) [Fuse-H-EUR-1](#) [Fuse-H-USA-1](#) [PM00XD000](#) [A-0701-HT-H](#) [15EJMS8](#) [1-6609941-2](#) [200JM6-2](#) [CA121003-6](#) [SK-1015\(F1-5\)](#) [161-R3015-E](#) [1-6609153-2](#) [FN323-1-05](#) [FN9233B-8-06](#) [FN9233EB-1-06](#) [FN9233ES1R-10-06](#) [FN9233R-12-06](#) [FN9233S-10-06](#)