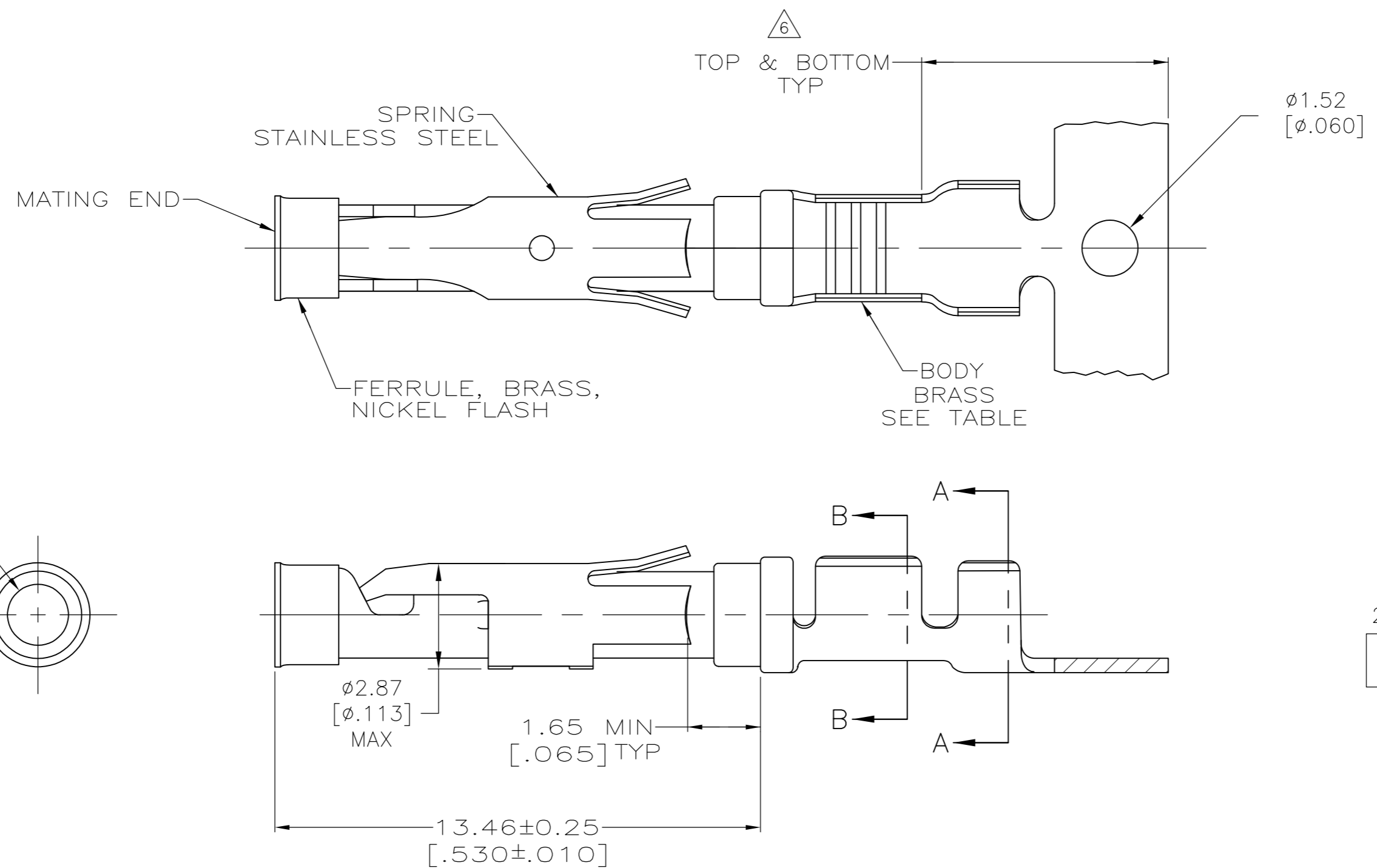
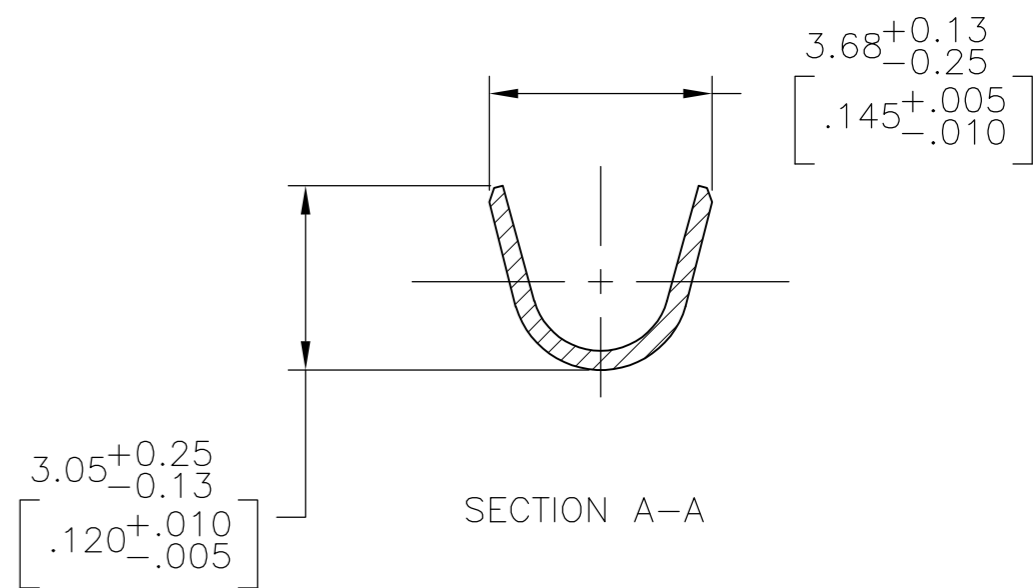
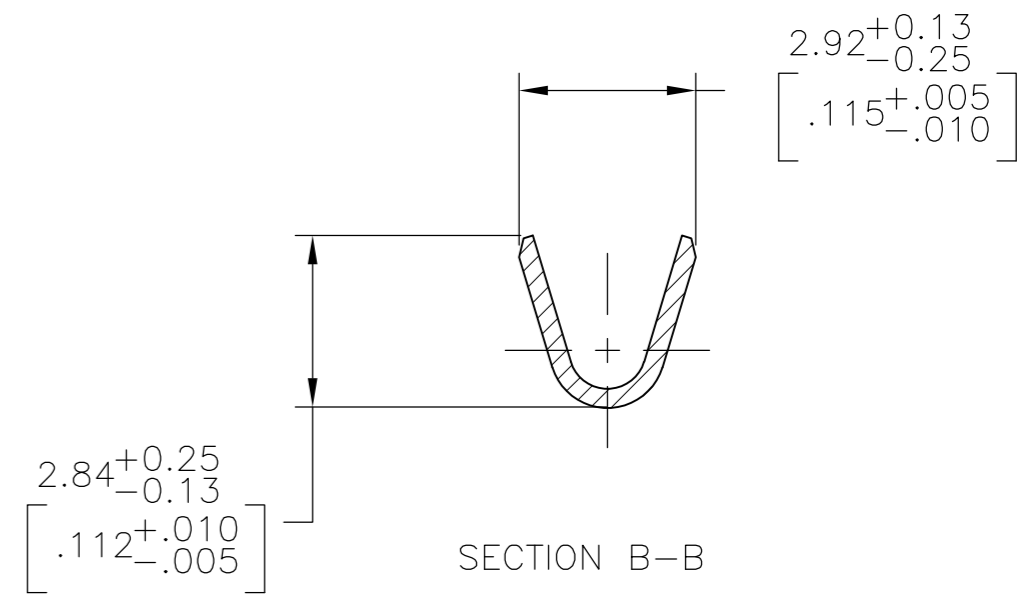
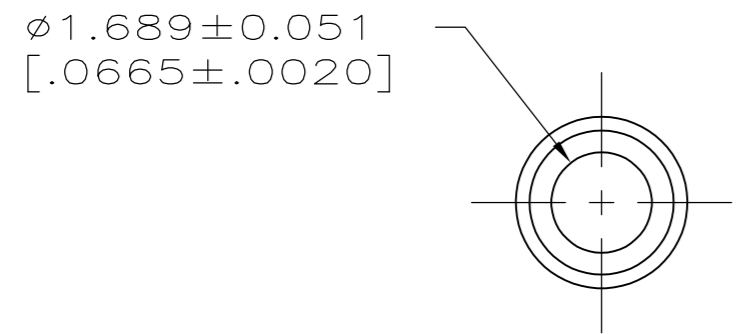


THIS DRAWING IS UNPUBLISHED. RELEASED FOR PUBLICATION
 © COPYRIGHT - By - ALL RIGHTS RESERVED.

REVISIONS				
P	LTR	DESCRIPTION	DATE	APVD
AM2		REVISED PER ECO-16-014786	19OCT2016	RS MZ



1.27 μ m [.000050] MIN TIN PER MIL-T-10727 OVER
 0.76 μ m [.000030] MIN NICKEL PER QQ-N-290.



- 1 0.76 μ m [.000030] MIN GOLD PER MIL-G-45204 ON MATING END FOR A LENGTH OF 5.08 [.200] MIN WITH 1.27 μ m [.000050] MIN MATTE TIN PLATE IN WIRE CRIMP AREA, BOTH OVER 0.76 μ m [.000030] MIN NICKEL PER QQ-N-290.
- 2 1.27 μ m [.000050] MIN TIN-LEAD PER MIL-T-10727 OVER 0.76 μ m [.000030] MIN NICKEL PER QQ-N-290.
- 3 0.76 μ m [.000030] MIN GOLD PER MIL-G-45204 ON MATING END FOR A LENGTH OF 5.08 [.200] MIN WITH A UNIFORM GRADIENT TO 0.25 μ m [.000010] MIN GOLD PER MIL-G-45204 ON THE REMAINDER OVER 0.76 μ m [.000030] MIN NICKEL PER QQ-N-290.
- 4 0.38 μ m [.000015] MIN GOLD PER MIL-G-45204 ON MATING END FOR A LENGTH OF 5.08 [.200] MIN WITH 1.27 μ m [.000050] MIN MATTE TIN PLATE IN WIRE CRIMP AREA, BOTH OVER 0.76 μ m [.000030] MIN NICKEL PER QQ-N-290.
- 5 1.27 μ m [.000050] MIN GOLD PER MIL-G-45204 ON MATING END FOR A LENGTH OF 5.08 [.200] MIN WITH GOLD FLASH ON REMAINDER OVER 1.90 μ m [.000075] MIN NICKEL PER QQ-N-290.
- 6 GOLD PLATING NEED NOT APPEAR IN THIS AREA EXCEPT 1-66100-3 HAS GOLD PLATING ON INSULATION BARREL.
- 7 REVERSE REELED FOR MINI-APPLICATOR.
- 8 ALL PART NUMBERS ON THIS DRAWING HAVE APPLICATION TOOLING AVAILABLE TO CRIMP 18-16 WIRE AWG WITH AN INSULATION RANGE OF $\phi 2.03$ -2.54 [.080-.100]. ADDITIONALLY, LOOSE PIECE AND REVERSE REELED PART NUMBERS HAVE APPLICATION TOOLING AVAILABLE TO CRIMP 0.75mm² WIRE WITH AN INSULATION RANGE OF $\phi 1.35$ -1.65 [.053-.065] OR 1.0mm² WIRE WITH AN INSULATION RANGE OF $\phi 1.45$ -1.80 [.057-.071].
- 9 0.38 μ m [.000015] MIN GOLD PER MIL-G-45204 ON MATING END FOR A LENGTH OF 5.08 [.200] MIN, 1.27 μ m [.000050] MIN TIN-LEAD PER MIL-T-10727 FOR A LENGTH OF 5.69 [.224] MIN ON OPPOSITE END, BOTH OVER 1.27 μ m [.000050] MIN NICKEL PER QQ-N-290 ON ENTIRE CONTACT.

SUPERCEDED BY 66100-8

OBSOLETE	EUROPE	7	10	NONE	—2-66100-2—
OBSOLETE		7	1	NONE	—2-66100-1—
		STANDARD	10	1-66101-9	2-66100-0
		7	10	1-66101-9	1-66100-9
		7	9	1-66101-4	—1-66100-7—
		—	5	—	—1-66100-3—
		7	1	66101-4	66100-9
		7	4	66101-3	66100-8
		7	2	66101-2	66100-7
		7	3	66101-1	66100-6
		STANDARD	1	66101-4	66100-4
		STANDARD	4	66101-3	66100-3
		STANDARD	2	66101-2	66100-2
		STANDARD	3	66101-1	66100-1
	TE ASSEMBLY LOCATION	REELING	BODY FINISH	LOOSE PIECE REF	PART NO.

THIS DRAWING IS A CONTROLLED DOCUMENT.

DWN V. FURLER 11JUL03		NAME	SOCKET ASSEMBLY, .062, TYPE III+
CHK G. STEINHAEUER 11JUL03		SIZE	A2
APVD G. STEINHAEUER 11JUL03		CAGE CODE	00779
PRODUCT SPEC		DRAWING NO	C=66100
DIMENSIONS: mm [INCHES]	TOLERANCES UNLESS OTHERWISE SPECIFIED:	APPLICATION SPEC	RESTRICTED TO
0 PLC ± -	1 PLC ± -	—	—
2 PLC ± 0.13 [.005]	3 PLC ± -	—	—
4 PLC ± -	ANGLES ± -	—	—
MATERIAL SEE CALLOUTS	FINISH SEE CALLOUTS	WEIGHT	SCALE 8:1 SHEET 1 OF 1 REV AM2
CUSTOMER DRAWING			

X-ON Electronics

Largest Supplier of Electrical and Electronic Components

Click to view similar products for [Standard Circular Contacts](#) category:

Click to view products by [TE Connectivity](#) manufacturer:

Other Similar products are found below :

[RC16M23J](#) [133780-1](#) [RM20M13D28](#) [RM24M9D28](#) [RMMX110-1D28](#) [ELFH02211](#) [ELVP16100E](#) [164-901-CD](#) [BACS16X1A](#)
[EN3545007SCE](#) [BV002BSQ20049CZ](#) [BV002SSQ160404CZ](#) [1900ND05S1B00B](#) [SJS862201](#) [166566-1](#) [1900ND04S1X00D](#) [ST-JL05-16S-](#)
[C3-100](#) [ST-JL05-20S-C1-100](#) [ST-JL05-20S-C2-100](#) [T01-CRIMP-S03](#) [APK-SA16A07-002](#) [27963-15T12](#) [CONT-JL05-08S-C2-10](#) [CONT-](#)
[JL05-12S-C1-10](#) [RC16M-23T](#) [RFD26L-1D28](#) [BV002ASJ16049CW](#) [33505815019](#) [JN1-22-20S-R-PKG100](#) [031-50213](#) [031-50794](#)
[ELFH08251](#) [ELFP0641GE](#) [SJS861301M](#) [ST-JL05-16S-C1-100](#) [ST-JL05-20P-C1-100](#) [82911466K](#) [82911467NK](#) [ESLM03200](#) [192991-0087](#)
[192900-0570](#) [ELFH07251](#) [T3P16FC3LZ](#) [ST-JL05-16S-C2-3500](#) [ZP-4016-10NF](#) [CONT-JL05-12P-C1-10](#) [RM20M12G8D28](#) [031-50676](#)
[12115010110](#) [RJFTVC2MG](#)