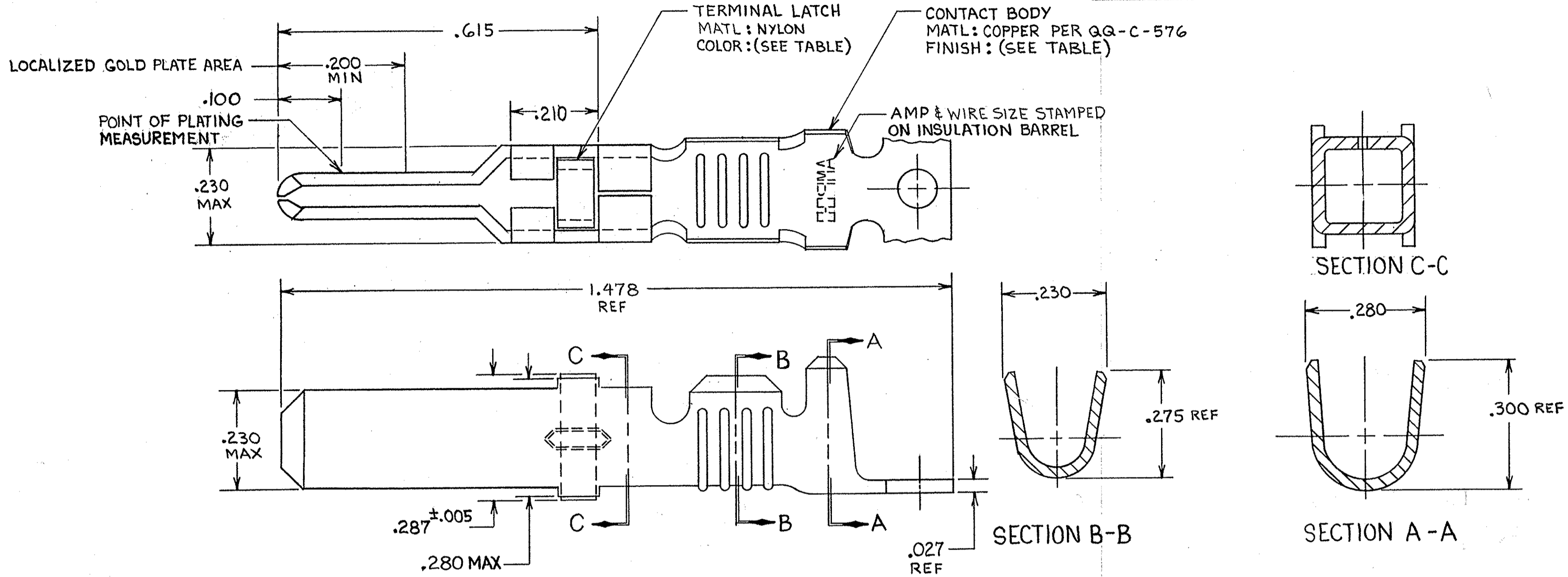


THIS DRAWING IS UNPUBLISHED. RELEASED FOR PUBLICATION, 19  
 © COPYRIGHT 19 BY AMP INCORPORATED, HARRISBURG, PA. ALL INTERNATIONAL RIGHTS RESERVED. AMP PRODUCTS MAY BE COVERED BY U.S. AND FOREIGN PATENTS AND/OR PATENTS PENDING.

REVISIONS					
P	F	ZONE	LTR	DESCRIPTION	DATE APPROVED
✓	✓		V	REDRAWN & REVISED PER ECN R-1451	9-27-85 RER LTR
✓	✓		W	OBSOLETE -3 & -7 PER R-2760	3-4-87 206 SLB
✓	✓		Y	REV PER ECN DF-5920	11-25-82 JL 1817
			Z	REV PER 0630-269-03	CT 5-03 DAE



- 1. REELED FOR USE WITH STANDARD APPLICATORS.
- 2. REELED FOR USE WITH HEAVY DUTY MINI-APPLICATORS.
- 3. PLATED WITH .000100 MIN SILVER PER QQ-S-365.
- 4. PLATED WITH .000015 MIN GOLD PER MIL-G-45204 IN THE LOCALIZED GOLD PLATE AREA, GOLD FLASH ON THE REMAINDER, OVER .000030 MIN NICKEL PER QQ-N-290.
- 5. PLATED WITH .000030 MIN GOLD PER MIL-G-45204 IN THE LOCALIZED GOLD PLATE AREA, GOLD FLASH ON THE REMAINDER, OVER .000030 MIN NICKEL PER QQ-N-290.
- 6. PLATED WITH .000050 MIN 93-7% TIN-LEAD ALLOY OVER .000030 MIN NICKEL PER QQ-N-290.
- 7. WIRE RANGE = 10 AWG.
- 8. INSULATION RANGE = .190 - .220 DIA.
- 9. PLATED TIN (NO LEAD) .000050 MIN THK. PER ASTM-B-545 OVER NICKEL, .000030 MIN THK. PER QQ-N-290.

BLACK	9	66259-5	1-66253-0
BLACK	9	66259-5	66253-9
NATURAL	3	66259-4	66253-8
BLACK	4	<del>OBSOLETE</del>	66253-7
BLACK	5	66259-2	66253-6
BLACK	6	66259-1	66253-5
NATURAL	3	66259-4	66253-4
BLACK	4	<del>OBSOLETE</del>	66253-3
BLACK	5	66259-2	66253-2
BLACK	6	66259-1	66253-1
TERMINAL LATCH COLOR	FINISH	L.P. ASS'Y P/N REF	STRIP ASS'Y P/N

UNLESS OTHERWISE SPECIFIED DIMENSIONS ARE IN INCHES. TOLERANCES ON: DECIMALS ±.010 ANGLES ±.010	CONTRACT NO	AMP   AMP INCORPORATED Harrisburg, Pa. 17105		
	DR <i>Rick Rohlbaugh</i> 9-27-85			NAME
MATERIAL SEE CALLOUT	CHK <i>Larry L. Lauer</i> 10-1-85	MALE TYPE XII CONTACT STRIP ASSEMBLY		
FINISH SEE DASH NO	APPD <i>D. L. Bolash</i> 10-1-85			
	DSGN APPD <i>Henry E. Smith</i> 10-3-85	SIZE <b>C</b>	FSCM NO <b>00779</b>	DRAWING NO <b>66253</b>
	OTHER APPD	SCALE NTS	SHEET _____	

66253

## X-ON Electronics

Largest Supplier of Electrical and Electronic Components

*Click to view similar products for [Pin & Socket Connectors](#) category:*

*Click to view products by [TE Connectivity](#) manufacturer:*

Other Similar products are found below :

[6450822-1](#) [770392-1](#) [794042-1](#) [796885-1](#) [8-794535-1](#) [PLR3455ACS-222](#) [R929991004](#) [R929993003](#) [1403611-1](#) [1-480349-5](#) [152302-5](#)  
[153211-2](#) [1586092-1](#) [1586129-1](#) [1586681-4](#) [1586700-1](#) [1586368-1](#) [1586380-1](#) [1586616-1](#) [1586680-5](#) [16-06-0038](#) [164164-5](#) [1-6609930-1](#)  
[172296-1](#) [19-09-2035](#) [200503-1](#) [200788-2](#) [2029090-4](#) [2029095-4](#) [925061-7](#) [293734-4](#) [293737-2](#) [1-765362-4](#) [1871534-1](#) [200833-4](#)  
[2008625-2](#) [2029027-2](#) [2029096-4](#) [R929991000](#) [R929991002](#) [R929993000](#) [319-10-101-00-005000](#) [319-10-102-00-001000](#) [319-10-104-00-001000](#) [319-10-105-00-001000](#) [319-10-108-00-001000](#) [319-10-112-00-006000](#) [39-01-8019](#) [319-10-101-00-001000](#) [319-10-102-00-005000](#)