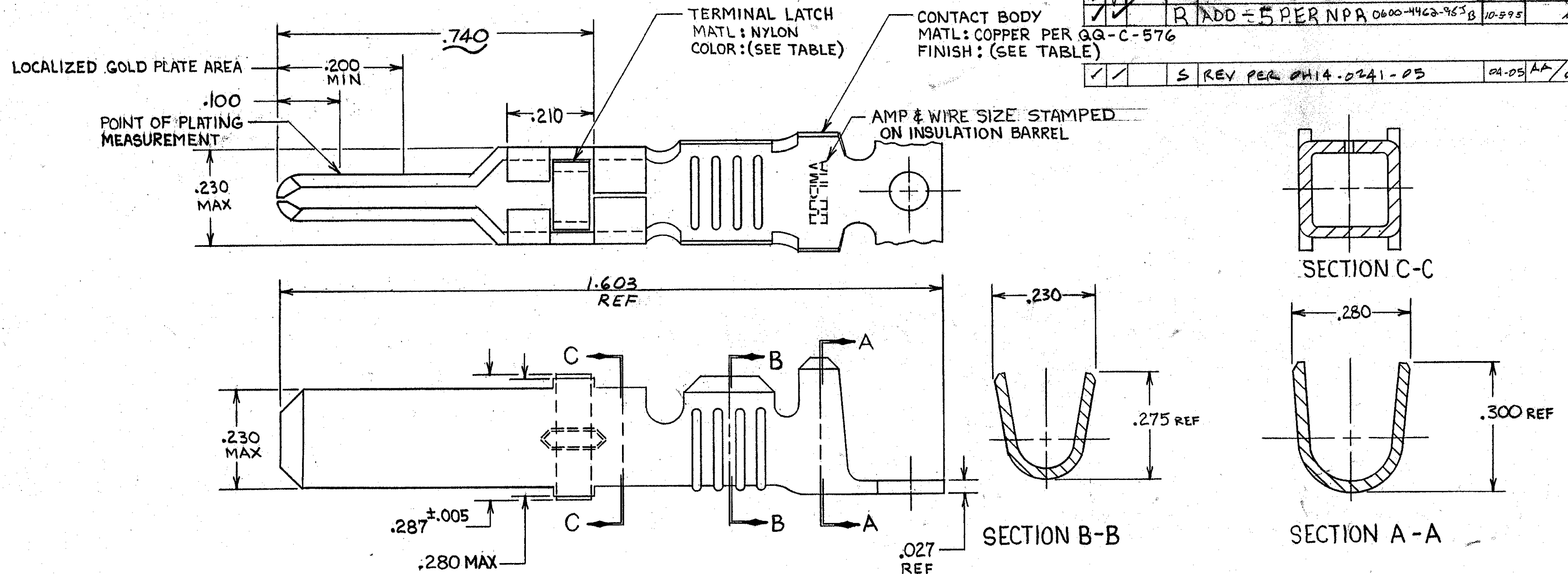


THIS DRAWING IS UNPUBLISHED. RELEASED FOR PUBLICATION
 © COPYRIGHT 19 BY AMP INCORPORATED, HARRISBURG, PA. ALL INTERNATIONAL RIGHTS RESERVED. AMP PRODUCTS MAY BE COVERED BY U.S. AND FOREIGN PATENTS AND/OR PATENTS PENDING.

REVISIONS						
P	F	ZONE	LTR	DESCRIPTION	DATE	APPROVED
✓	✓		L	REDRAWN & REVISED PER ECN R-1451	9-30-85	REF [Signature]
✓	✓		M	REV. / ECN R-1546	3-1-86	MAN SLB
✓	✓		N	OBSOLETE - 3 PER R-2760	1-4-87	MAN SLB
✓	✓		P	REV PER ECN DF-5920	11-25-82	SV [Signature]
✓	✓		R	ADD = 5 PER NPA 0600-4462-965 B	10-5-95	ABM
✓	✓		S	REV PER 0114-0241-05	04-05	AA/OE



- 1. REELED FOR USE WITH STANDARD APPLICATORS.
- 2. PLATED WITH .000100 MIN SILVER PER QQ-S-365.
- 3. PLATED WITH .000015 MIN GOLD PER MIL-G-45204 IN THE LOCALIZED GOLD PLATE AREA, GOLD FLASH ON THE REMAINDER, OVER .000030 MIN NICKEL PER QQ-N-290.
- 4. PLATED WITH .000030 MIN GOLD PER MIL-G-45204 IN THE LOCALIZED GOLD PLATE AREA, GOLD FLASH ON THE REMAINDER, OVER .000030 MIN NICKEL PER QQ-N-290.
- 5. PLATED WITH .000050 MIN 93-7% TIN-LEAD ALLOY OVER .000030 MIN NICKEL PER QQ-N-290.
- 6. WIRE RANGE = 10 AWG.
- 7. INSULATION RANGE = .190 - .220 DIA.
- 8. REELED FOR USE WITH QUICK-CHANGE APPLICATOR.
- 9. PLATED WITH .000050 MIN TIN PER ASTM-B-545 OVER .000030 MIN NICKEL PER QQ-N-290.

BLACK	1	66260-5	66254-6
BLACK	1	66260-2	66254-5
NATURAL	2	66260-4	66254-4
BLACK	3	OBSOLETE	66254-3
BLACK	4	66260-2	66254-2
BLACK	5	66260-1	66254-1
TERMINAL LATCH COLOR	FINISH	L.P. ASSY P/N REF	STRIP ASSY P/N

UNLESS OTHERWISE SPECIFIED DIMENSIONS ARE IN INCHES. TOLERANCES ON: DECIMALS ±.010 ANGLES ±	CONTRACT NO	AMP AMP INCORPORATED Harrisburg, Pa. 17105	
	DR <i>Rich Rohrbach</i> 9-30-85	NAME	
MATERIAL SEE CALLOUT	CHK <i>Larry S. Lawrence</i> 10-25-85	MALE TYPE XII GROUND CONTACT STRIP ASSEMBLY	
FINISH SEE DASH NO	APPD <i>Bob Black</i> 10-25-85	SIZE C	FSCM NO 00779
	DSGN APPD <i>James E. Smith</i> 10-27-85	DRAWING NO 66254	
	OTHER APPD	SCALE NTS	SHEET

66254

X-ON Electronics

Largest Supplier of Electrical and Electronic Components

Click to view similar products for [Pin & Socket Connectors](#) category:

Click to view products by [TE Connectivity](#) manufacturer:

Other Similar products are found below :

[6450822-1](#) [770392-1](#) [794042-1](#) [796885-1](#) [8-794535-1](#) [881459-2](#) [R929993003](#) [1-350779-3](#) [1403611-1](#) [1-480349-5](#) [1586092-1](#) [1586129-1](#)
[1586487-1](#) [1586681-4](#) [1586700-1](#) [1586065-1](#) [1586077-1](#) [1586368-1](#) [1586380-1](#) [1586680-5](#) [1586681-2](#) [1604996-1](#) [16-06-0038](#) [164164-5](#) [1-](#)
[6609930-1](#) [172296-1](#) [1-794714-6](#) [19-09-2035](#) [1969804-1](#) [200503-1](#) [200788-2](#) [201046-7](#) [202648-4](#) [2029076-2](#) [2029090-4](#) [2029095-4](#) [2-](#)
[66102-6](#) [925061-7](#) [926681-1](#) [293734-4](#) [293737-2](#) [1-765362-4](#) [1-794606-3](#) [1871534-1](#) [1969795-1](#) [1969798-1](#) [1969800-1](#) [200833-4](#)
[2008625-2](#) [2029027-2](#)