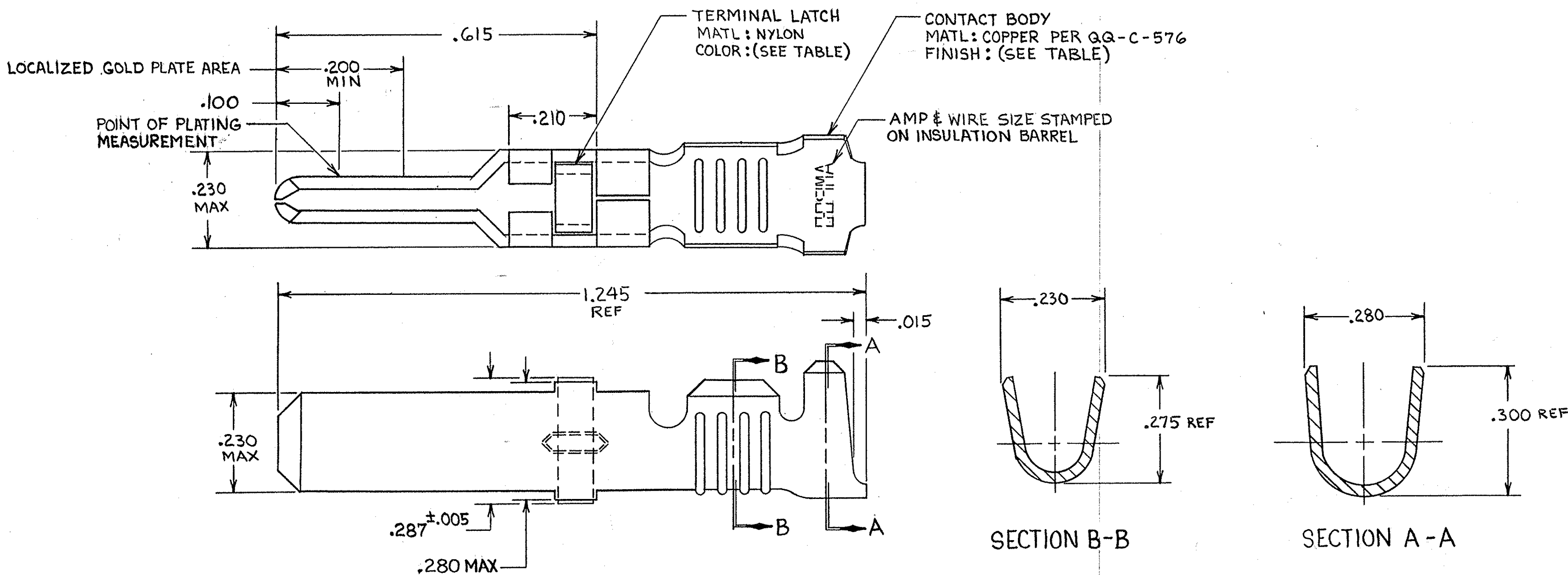


THIS DRAWING IS UNPUBLISHED. RELEASED FOR PUBLICATION

© COPYRIGHT

REVISIONS						
P	F	ZONE	LTR	DESCRIPTION	DATE	APPROVED
✓	✓	Z1		REVISED PER ECO-11-005294	05APR11	HMR



- 1. REELED FOR USE WITH STANDARD APPLICATORS.
- 2. REELED FOR USE WITH HEAVY DUTY MINI-APPLICATORS.
- 3. PLATED WITH .000100 MIN SILVER PER QQ-S-365.
- 4. PLATED WITH .000015 MIN GOLD PER MIL-G-45204 IN THE LOCALIZED GOLD PLATE AREA, GOLD FLASH ON THE REMAINDER, OVER .000030 MIN NICKEL PER QQ-N-290.
- 5. PLATED WITH .000030 MIN GOLD PER MIL-G-45204 IN THE LOCALIZED GOLD PLATE AREA, GOLD FLASH ON THE REMAINDER, OVER .000030 MIN NICKEL PER QQ-N-290.
- 6. PLATED WITH .000050 MIN 93-7% TIN-LEAD ALLOY OVER .000030 MIN NICKEL PER QQ-N-290.
- 7. WIRE RANGE = 10 AWG.
- 8. INSULATION RANGE = .190 - .220 DIA.
- 9. PLATED TIN (NO LEAD), .000050 MIN THK PER ASTM-B-545 OVER NICKEL .000030 MIN THK PER QQ-N-290.

TERMINAL LATCH COLOR	FINISH	STRIP ASSY P/N REF	STRIP ASSY P/N REF	LOOSE PIECE P/N ASSY
BLACK	1	1-66253-0	66253-9	66259-5
NATURAL	3	66253-8	66253-4	66259-4
BLACK	4	66253-7	66253-1	66259-3
BLACK	5	66253-6	66253-2	66259-2
BLACK	6	66253-5	66253-1	66259-1

UNLESS OTHERWISE SPECIFIED DIMENSIONS ARE IN INCHES. TOLERANCES ON: DECIMALS ±.010 ANGLES ±.010		CONTRACT NO		TE Connectivity NAME <b>MALE TYPE XII CONTACT LOOSE PIECE ASSY</b> SIZE: <b>C</b> FSCM NO: <b>00779</b> DRAWING NO: <b>66259</b> SCALE: <b>NTS</b> SHEET: _____	
MATERIAL SEE CALLOUT		DR: <i>Rick Rolabaugh</i> 9-27-85			
FINISH SEE DASH NO		CHK: <i>Larry G. Lawver</i> 10-1-85			
		APPD: <i>B.S. Bolash</i> 10-1-85			
		APPD: <i>Lewis E. Smith</i> 10-3-85			
		DSGN APPD			
		OTHER APPD			

66259

## X-ON Electronics

Largest Supplier of Electrical and Electronic Components

*Click to view similar products for [Pin & Socket Connectors](#) category:*

*Click to view products by [TE Connectivity](#) manufacturer:*

Other Similar products are found below :

[6450822-1](#) [770392-1](#) [794042-1](#) [796885-1](#) [8-794535-1](#) [PLR3455ACS-222](#) [R929991004](#) [R929993003](#) [1403611-1](#) [1-480349-5](#) [152302-5](#)  
[153211-2](#) [1586092-1](#) [1586129-1](#) [1586681-4](#) [1586700-1](#) [1586368-1](#) [1586380-1](#) [1586616-1](#) [1586680-5](#) [16-06-0038](#) [164164-5](#) [1-6609930-1](#)  
[172296-1](#) [19-09-2035](#) [200503-1](#) [200788-2](#) [2029090-4](#) [2029095-4](#) [925061-7](#) [293734-4](#) [293737-2](#) [1-765362-4](#) [1871534-1](#) [200833-4](#)  
[2008625-2](#) [2029027-2](#) [2029096-4](#) [R929991000](#) [R929991002](#) [R929993000](#) [319-10-101-00-005000](#) [319-10-102-00-001000](#) [319-10-104-00-001000](#) [319-10-105-00-001000](#) [319-10-108-00-001000](#) [319-10-112-00-006000](#) [39-01-8019](#) [319-10-101-00-001000](#) [319-10-102-00-005000](#)