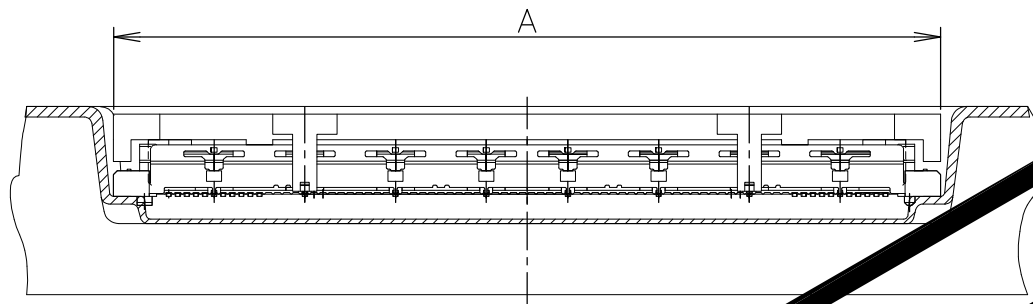
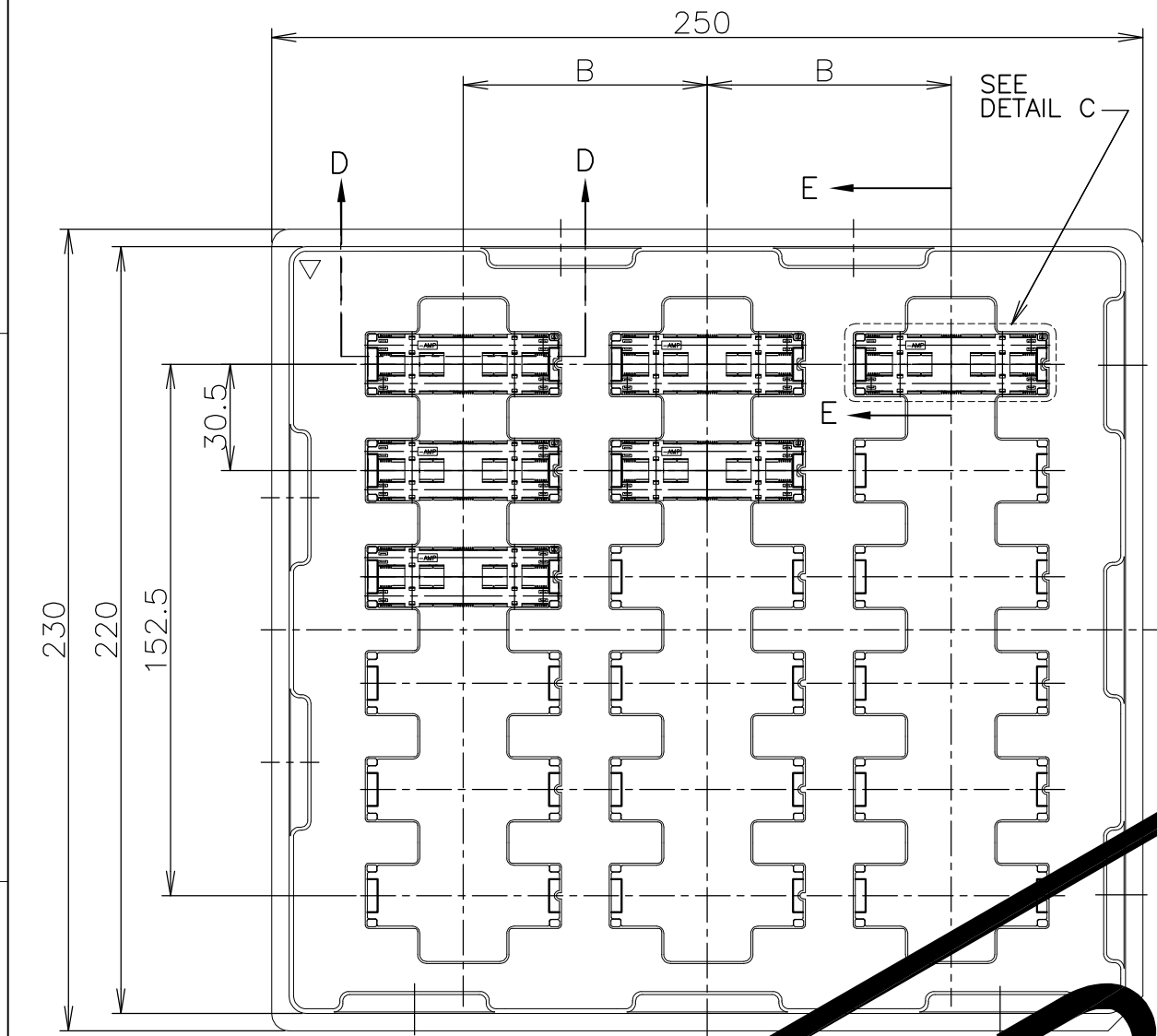


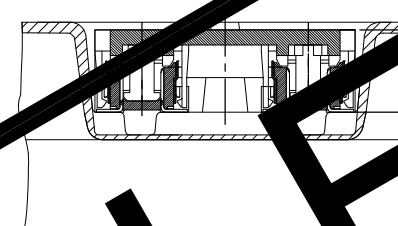
THIS DRAWING IS UNPUBLISHED. RELEASED FOR PUBLICATION NOV, 1998.
 © COPYRIGHT 1998 BY TYCO ELECTRONICS CORPORATION. ALL RIGHTS RESERVED.

| LOC | DIST | REVISIONS | | | | | |
|-----|------|-----------|---------|-------------------|----------|-----|------|
| J | | P | LTR | DESCRIPTION | DATE | DWN | APVD |
| | | A | REVISED | ECR-08-000339 | 01FEB08 | T.T | T.F |
| | | B | REVISED | PER ECO-17-002393 | 11JULY17 | B.J | S.Y |



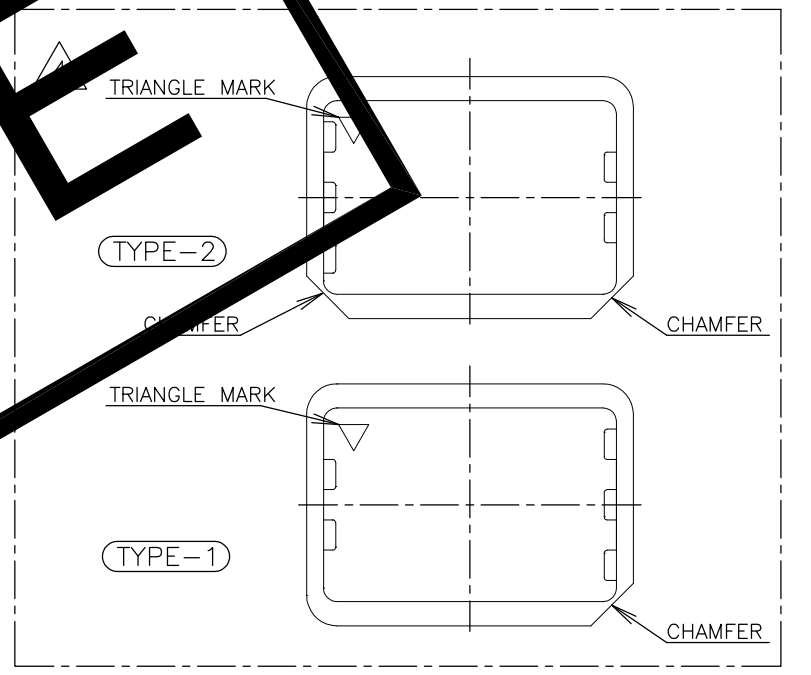
AS SHOWN: TYPE-1

D-D (SCALE 2:1)

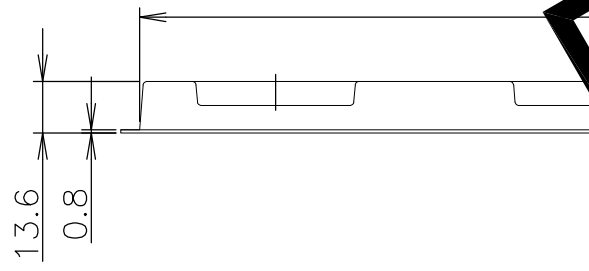


E-E (SCALE 2:1)

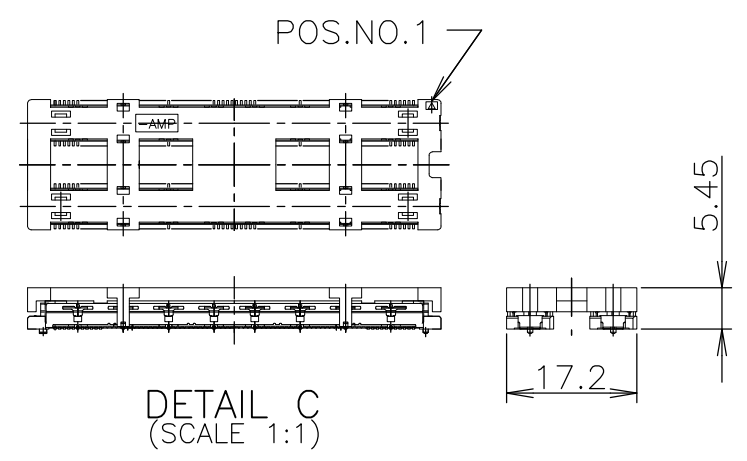
4. ONLY TYPE-1 AND TYPE-2 MUST BE PILED UP BY TURNS.
(REFER TO PACKING SPECIFICATIONS)



OBSOLETE



| SEALANT | TOOLING STATUS | ROW | QTY | B | A | POS. | TRAY P/N | PART NO. |
|---------------|----------------|-----|-----|----|------|------|------------|-------------|
| AVAILABLE | | 3 | 18 | 70 | 54.7 | 320 | 5-912069-4 | 6-6318151-1 |
| NOT AVAILABLE | | ↑ | ↑ | ↑ | 48.7 | 280 | 5- -3 | 6- -0 |
| NOT AVAILABLE | | ↓ | ↓ | ↓ | 42.7 | 240 | 5- -2 | 5- -9 |
| NOT AVAILABLE | | 3 | 18 | 70 | 36.7 | 200 | 5- -1 | 5- -8 |
| NON SEALANT | | 3 | 18 | 70 | 54.7 | 320 | 5- -4 | 1- -1 |
| NON SEALANT | | ↑ | ↑ | ↑ | 48.7 | 280 | 5- -3 | 1- -0 |
| NON SEALANT | | ↓ | ↓ | ↓ | 42.7 | 240 | 5- -2 | - -9 |
| NON SEALANT | | 3 | 18 | 70 | 36.7 | 200 | 5-912069-1 | 6318151-8 |



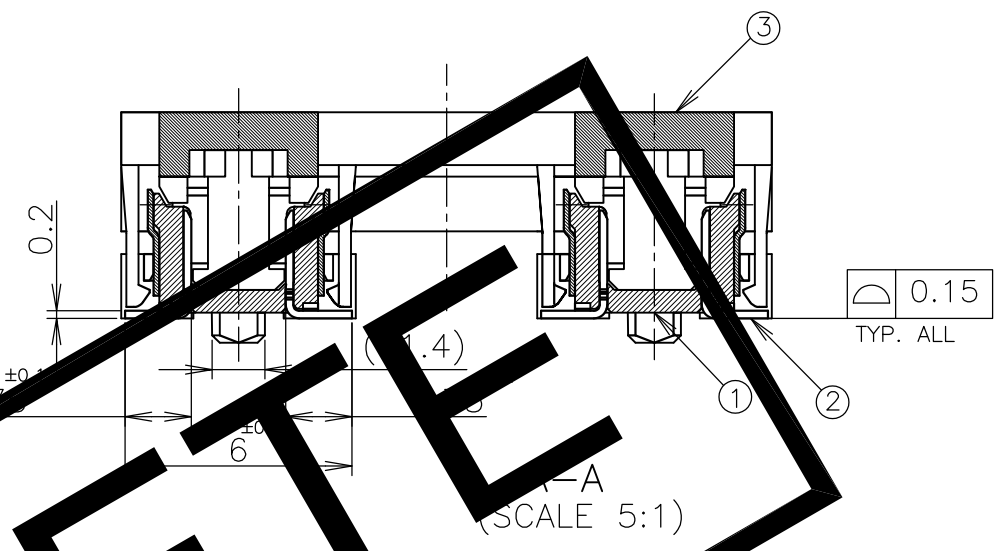
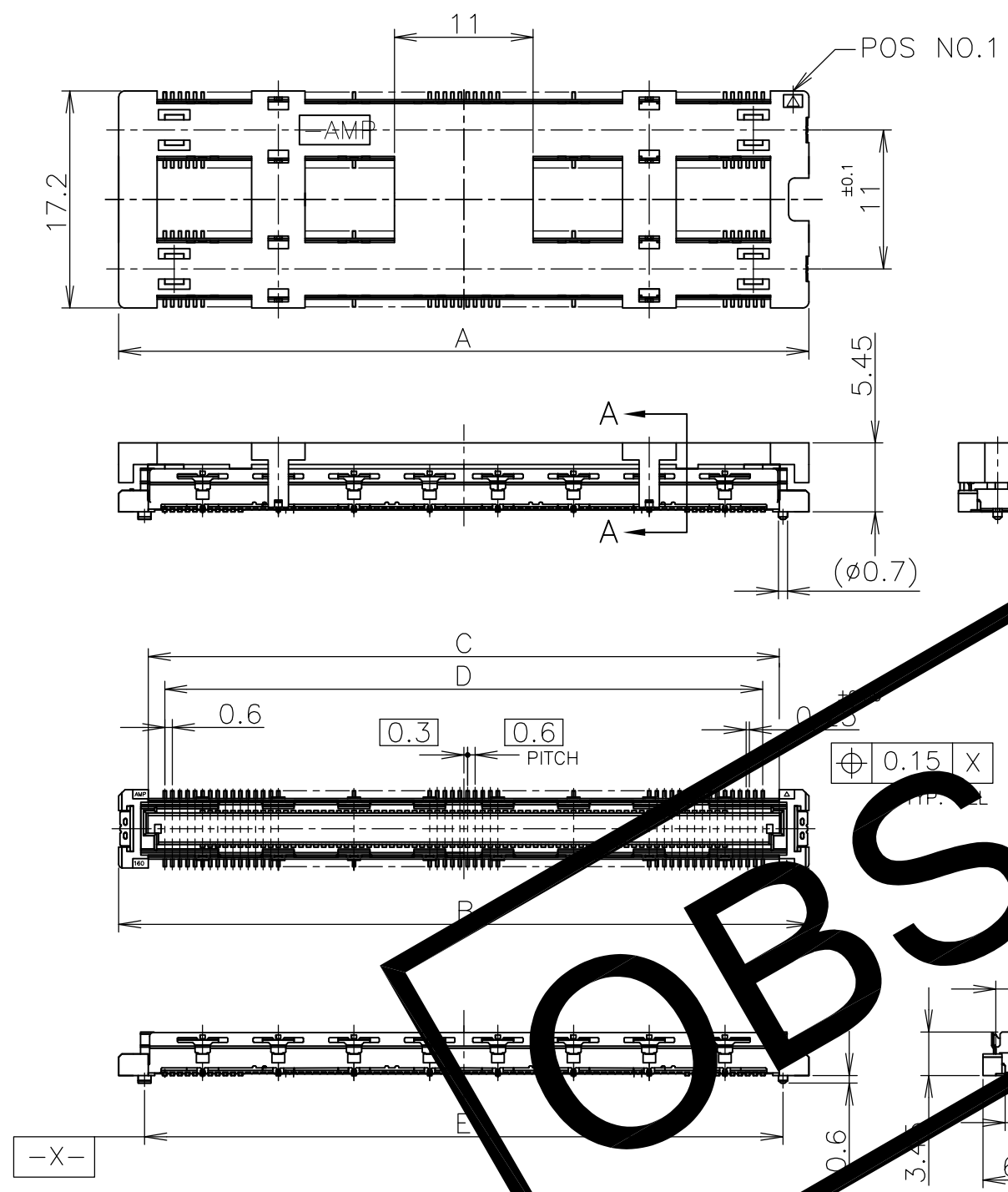
GENERAL TOLERANCE
 一般公差
 10 ≥ ±0.2
 30 ≥ >10: ±0.25
 100 ≥ >30: ±0.3
 ANGLES: ±3°

THIS DRAWING IS A CONTROLLED DOCUMENT.

| | |
|--|--|
| DWN HAWKING HE 13DEC04 | Tyco Electronics Corporation Kawasaki, Japan |
| CHK STEVEN YAO 13DEC04 | |
| APVD I.ENOMOTO 13DEC04 | NAME 名称 |
| PRODUCT SPEC 製品規格 108-60047 | SOFT TRAY ASSY FH 0.6BTB CONNECTOR PLUG 4H W/G-PLATE 2ROW TYPE |
| APPLICATION SPEC 取付適用規格 114-5255 | SIZE A3 |
| WEIGHT | CAGE CODE 00779 |
| CUSTOMER DRAWING | DRAWING NO G-6318151 |
| | RESTRICTED TO |
| | SCALE 尺度 1:2 |
| | SHEET 1 OF 6 |
| | REV B |

THIS DRAWING IS UNPUBLISHED. RELEASED FOR PUBLICATION NOV, 1998.
 © COPYRIGHT 1998 BY TYCO ELECTRONICS CORPORATION. ALL RIGHTS RESERVED.

| LOC | DIST | REVISIONS | | |
|-----|------|-------------|------|------|
| J | | 変更 | DATE | DWN |
| P | LTR | DESCRIPTION | | APVD |
| | | SEE SHEET 1 | - | - |



OBSELETE

- ① MATERIAL ; ① HOUSING : HIGH TEMP THERMO PLASTIC UL94V-0 (COLOR : NATURAL)
- ② CONTACT : COPPER ALLOY
- ③ CAP HOUSING : HIGH TEMP THERMO PLASTIC UL94V-0 (COLOR : BLACK)
- △ FINISH ; UNDER PL Ni 0.0013mm MIN ALL OVER. CONTACT AREA 0.0002 MIN Au PL. SOLDERING AREA 0.001 MIN TIN PL.
- ⊓ THIS POSITION IS GROUND CIRCUIT.

| | | | | | | | | | |
|----------------|------|------|------|----|------|------|-----|----|-----------|
| AVAILABLE | 51.8 | 50.6 | 47.4 | 50 | 54.7 | 54.7 | 320 | 1- | -1 |
| NOT AVAILABLE | 45.8 | 44.6 | 41.4 | 44 | 48.7 | 48.7 | 280 | 1- | -0 |
| NOT AVAILABLE | 39.8 | 38.6 | 35.4 | 38 | 42.7 | 42.7 | 240 | | -9 |
| NOT AVAILABLE | 33.8 | 32.6 | 29.4 | 32 | 36.7 | 36.7 | 200 | | 1318153-8 |
| TOOLING STATUS | F | E | D | C | B | A | POS | | CAP P/N |

GENERAL TOLERANCE
 一般公差
 10 ≥ ±0.2
 30 ≥ >10: ±0.25
 100 ≥ >30: ±0.3
 ANGLES: ±3°

THIS DRAWING IS A CONTROLLED DOCUMENT.

| | |
|----------------------------|--|
| DIMENSIONS: 単位: 耗 mm | TOLERANCES UNLESS OTHERWISE SPECIFIED: 一般公差 |
| 0 PLC ±- | 1 PLC ±- |
| 2 PLC ±- | 3 PLC ±- |
| 4 PLC ±- | ANGLES ±- |
| MATERIAL 材料 | FINISH 仕上 |

| | | |
|----------------------------|--|---------------|
| DWN | Tyco Electronics Corporation Kawasaki, Japan | |
| CHK | NAME 名称 | |
| APVD | SOFT TRAY ASSY FH 0.6BTB CONNECTOR PLUG 4H W/G-PLATE 2ROW TYPE | |
| PRODUCT SPEC 製品規格 | SIZE | CAGE CODE |
| APPLICATION SPEC 取付適用規格 | A3 | 00779 |
| WEIGHT | DRAWING NO 番号 | RESTRICTED TO |
| CUSTOMER DRAWING | G-6318151 | |
| SCALE 尺度 | SHEET | REV |
| 2:1 | 2 OF 6 | B |

THIS DRAWING IS UNPUBLISHED. RELEASED FOR PUBLICATION NOV, 1998.
 © COPYRIGHT 1998 BY TYCO ELECTRONICS CORPORATION. ALL RIGHTS RESERVED.

| LOC | DIST | REVISIONS | | |
|-----|------|-------------|------|------|
| J | | 変更 | DATE | DWN |
| P | LTR | DESCRIPTION | | APVD |
| | | SEE SHEET 1 | - | - |



REFERENCE P.C.BOARD LAYOUT

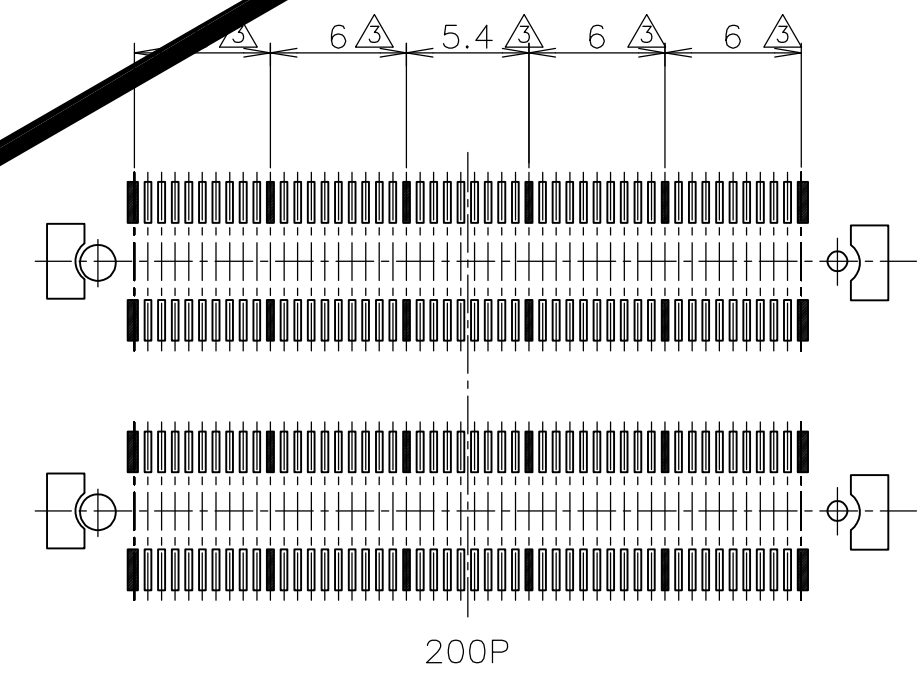
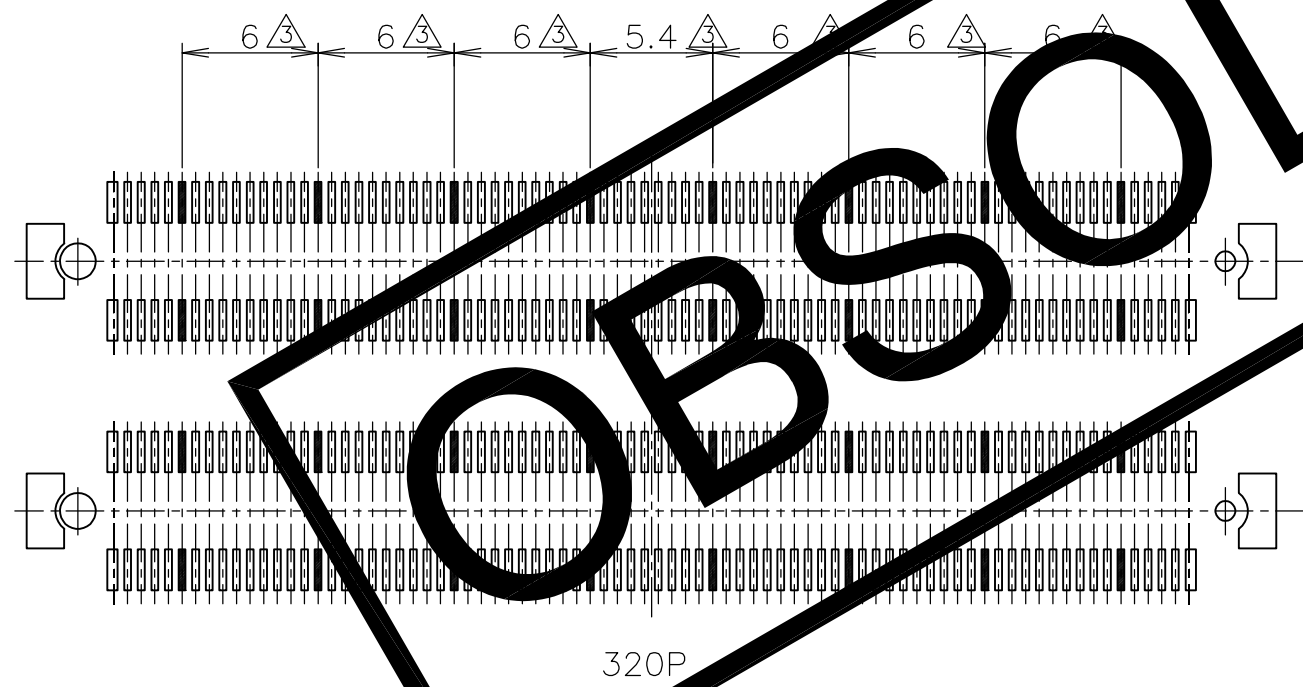
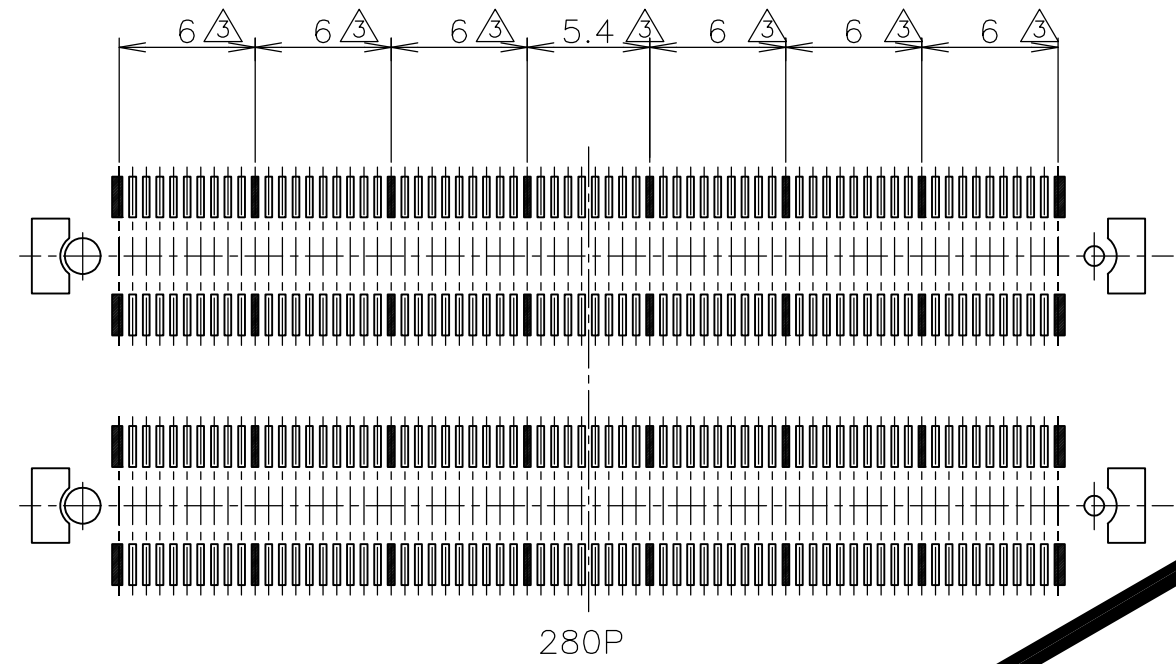
GENERAL TOLERANCE
一般公差

| | |
|-------------|------------|
| 10 ≥ | ±0.2 |
| 30 ≥ | >10: ±0.25 |
| 100 ≥ | >30: ±0.3 |
| ANGLES: ±3° | |

| | | | | |
|---|--|----------------------------|--|---------------|
| THIS DRAWING IS A CONTROLLED DOCUMENT. | | DWN | Tyco Electronics Corporation Kawasaki, Japan | |
| DIMENSIONS: 単位: 耗 mm | | CHK | NAME 名称 | |
| TOLERANCES UNLESS OTHERWISE SPECIFIED: 一般公差 | | APVD | SOFT TRAY ASSY FH 0.6BTB CONNECTOR PLUG 4H W/G-PLATE 2ROW TYPE | |
| 0 PLC ± - 1 PLC ± - 2 PLC ± - 3 PLC ± - 4 PLC ± - ANGLES ± - | | PRODUCT SPEC 製品規格 | SIZE | CAGE CODE |
| MATERIAL 材料 | | APPLICATION SPEC 取付適用規格 | A3 | 00779 |
| FINISH 仕上 | | WEIGHT | DRAWING NO 番号 | RESTRICTED TO |
| | | CUSTOMER DRAWING | G-6318151 | |
| | | SCALE 尺度 | SHEET | REV |
| | | 4:1 | 3 OF 6 | B |

THIS DRAWING IS UNPUBLISHED. RELEASED FOR PUBLICATION NOV, 1998.
 © COPYRIGHT 1998 BY TYCO ELECTRONICS CORPORATION. ALL RIGHTS RESERVED.

| LOC | DIST | REVISIONS 変更 | | | | | |
|-----|------|-----------------|-----|-------------|------|-----|------|
| J | | P | LTR | DESCRIPTION | DATE | DWN | APVD |
| | | | | SEE SHEET 1 | | | |



OBSOLETE

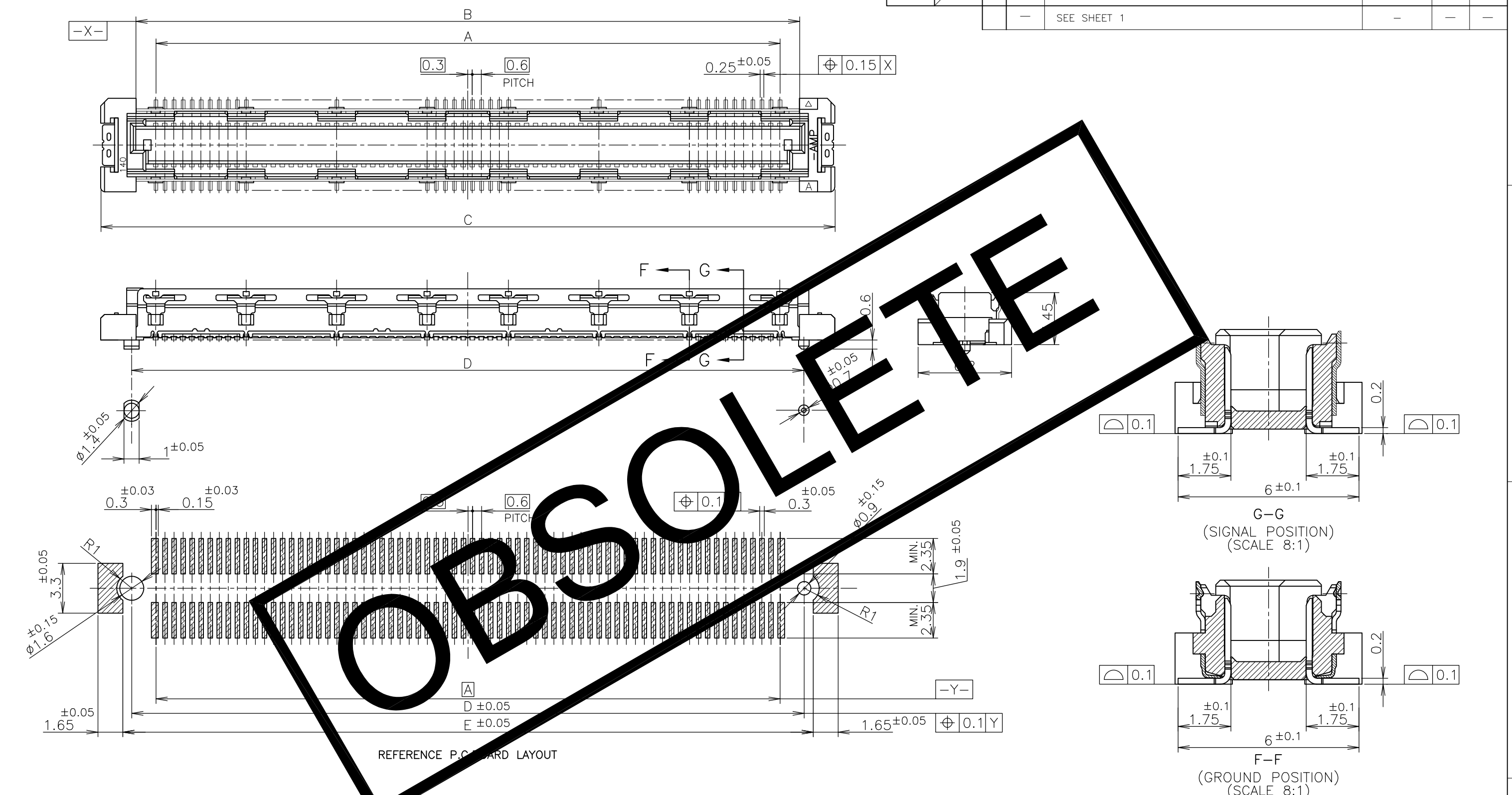
GENERAL TOLERANCE
一般公差

10 ≥ ±0.2
 30 ≥ >10: ±0.25
 100 ≥ >30: ±0.3
 ANGLES: ±3°

| | | | | | |
|--|---|----------------------------|---|-----------|------------------|
| THIS DRAWING IS A CONTROLLED DOCUMENT. | | DWN | Tyco Electronics Corporation Kawasaki, Japan | | |
| DIMENSIONS: 単位: 耗 mm | TOLERANCES UNLESS OTHERWISE SPECIFIED: 一般公差 | CHK | NAME 名称 | | |
| | 0 PLC ± - | APVD | SOFT TRAY ASSY | | |
| | 1 PLC ± - | PRODUCT SPEC 製品規格 | FH 0.6BTB CONNECTOR | | |
| MATERIAL 材料 | 2 PLC ± - | APPLICATION SPEC 取付適用規格 | PLUG 4H W/G-PLATE 2ROW TYPE | | |
| | 3 PLC ± - | WEIGHT | SIZE | CAGE CODE | DRAWING NO 番号 |
| | 4 PLC ± - | CUSTOMER DRAWING | A3 | 00779 | G-6318151 |
| | ANGLES ± - | | SCALE 尺度 3:1 | | SHEET 4 OF 6 |
| | FINISH 仕上 | | RESTRICTED TO | | REV B |

THIS DRAWING IS UNPUBLISHED. RELEASED FOR PUBLICATION NOV, 1998.
 © COPYRIGHT 1998 BY TYCO ELECTRONICS CORPORATION. ALL RIGHTS RESERVED.

| LOC | DIST | REVISIONS | | |
|-----|------|-------------|------|------|
| J | | 变更 | DATE | DWN |
| P | LTR | DESCRIPTION | | APVD |
| | | SEE SHEET 1 | | |



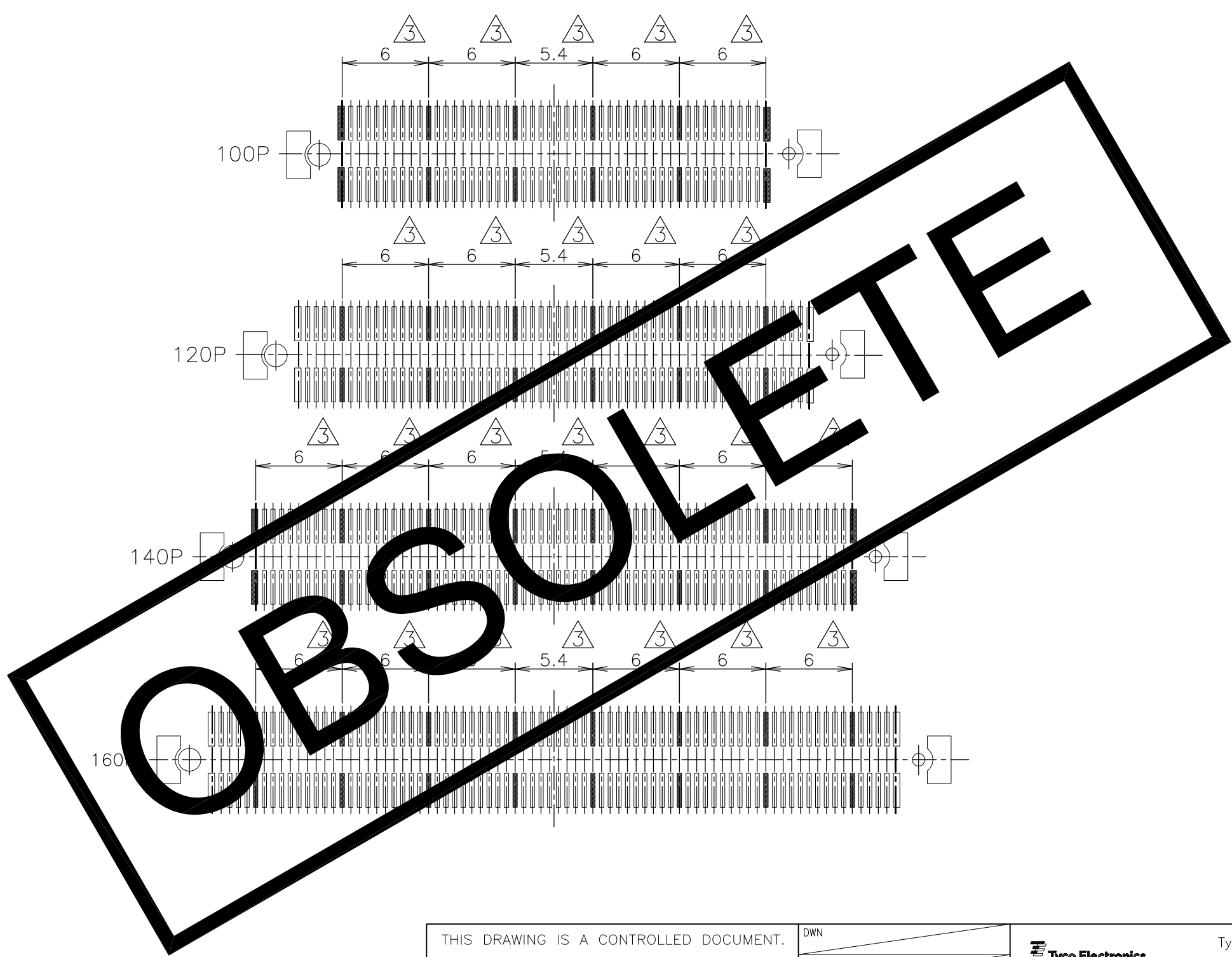
| | | | | | | |
|----------------|------|------|------|----|------|-----|
| AVAILABLE | 51.8 | 50.6 | 54.7 | 50 | 47.4 | 160 |
| AVAILABLE | 45.8 | 44.6 | 48.7 | 44 | 41.4 | 140 |
| NOT AVAILABLE | 39.8 | 38.6 | 42.7 | 38 | 35.4 | 120 |
| AVAILABLE | 33.8 | 32.6 | 36.7 | 32 | 29.4 | 100 |
| TOOLING STATUS | E | D | C | B | A | POS |

| | | | | |
|---|--|-------------------------|------------------------------|---------------|
| THIS DRAWING IS A CONTROLLED DOCUMENT. | | DWN | Tyco Electronics Corporation | |
| DIMENSIONS: 单位: 耗 mm | | CHK | Kawasaki, Japan | |
| TOLERANCES UNLESS OTHERWISE SPECIFIED: 一般公差 | | APVD | NAME 名称 | |
| 0 PLC ± 0.3 | | PRODUCT SPEC 製品規格 | SOFT TRAY ASSY | |
| 1 PLC ± 0.3 | | APPLICATION SPEC 取付適用規格 | FH 0.6BTB CONNECTOR | |
| 2 PLC ± 0.3 | | WEIGHT | SIZE | CAGE CODE |
| 3 PLC ± 0.3 | | | A3 | 00779 |
| 4 PLC ± 0.3 | | | DRIVING NO | RESTRICTED TO |
| ANGLES ± 3' | | | G-6318151 | |
| FINISH 仕上 | | CUSTOMER DRAWING | | SCALE 尺度 4:1 |
| MATERIAL 材料 | | SHEET 5 OF 6 | | REV B |

THIS DRAWING IS UNPUBLISHED. RELEASED FOR PUBLICATION NOV, 1998.

© COPYRIGHT 1998 BY TYCO ELECTRONICS CORPORATION. ALL RIGHTS RESERVED.

| | | | | |
|----------|------|-----------------|------|------|
| LOC J | DIST | REVISIONS 変更 | | |
| P | LTR | DESCRIPTION | DATE | DWN |
| | | SEE SHEET 1 | - | - |
| | | | | APVD |
| | | | | - |



| | | | | | |
|---|--------------|----------------------------|--|-----------|------------------|
| THIS DRAWING IS A CONTROLLED DOCUMENT. | | DWN | Tyco Electronics Corporation Kawasaki, Japan | | |
| DIMENSIONS: 単位: 耗 mm | | CHK | NAME 名称 | | |
| TOLERANCES UNLESS OTHERWISE SPECIFIED: 一般公差 | | APVD | SOFT TRAY ASSY FH 0.6BTB CONNECTOR PLUG 4H W/G-PLATE 2ROW TYPE | | |
| 0 PLC ± 0.3 | | PRODUCT SPEC 製品規格 | SIZE | CAGE CODE | DRAWING NO 番号 |
| 1 PLC ± 0.3 | | APPLICATION SPEC 取付適用規格 | A3 | 00779 | G-6318151 |
| 2 PLC ± 0.3 | | WEIGHT | RESTRICTED TO | | |
| 3 PLC ± 0.3 | | | CUSTOMER DRAWING | | |
| 4 PLC ± 0.3 | | | SCALE 尺度 | SHEET | REV |
| ANGLES ± 3' | | | 3:1 | 6 OF 6 | B |
| MATERIAL 材料 | FINISH 仕上 | | | | |

X-ON Electronics

Largest Supplier of Electrical and Electronic Components

Click to view similar products for [Board to Board & Mezzanine Connectors](#) category:

Click to view products by [TE Connectivity](#) manufacturer:

Other Similar products are found below :

[589158040000018](#) [MDF7C-18P-2.54DSA\(55\)](#) [FCN-230C068-11](#) [FCN-268F012-G/BD](#) [FCN-268F036-G/BD](#) [FCN-268M012-G/0D](#) [FCN-268M024-G/1D](#) [FCN-723J004/1](#) [MIS-048-01-F-D-DP-K](#) [832-10-034-10-001000](#) [FX4C-80S-1.27DSA](#) [FCN-214Q030-G/0](#) [FCN-234P048-G/0](#) [FCN-235D050-G/C](#) [210-93-314-41-105000](#) [2-22603-0](#) [MDF7-40DP-2.54DSA\(55\)](#) [AXG720047](#) [5031084030](#) [MIT-114-03-F-D-K](#) [55323-1519](#) [DF33-2P-3.3DSA\(24\)](#) [YFT-20-05-H-03-SB-K](#) [503308-3040](#) [026-6203-PDB](#) [027-6203-PDB](#) [069159702701000](#) [10123981-102LF](#) [101A10019X](#) [55650-0588-C](#) [68682-310LF](#) [68684-306](#) [75140-7012](#) [87471-650](#) [194261-1](#) [FCN-268F024-G0D](#) [10124054-515LF](#) [68685-603](#) [8-1616154-3](#) [MIS-019-01-F-D](#) [FCN-268M024-G/3D](#) [20021832-06016C1LF](#) [KX15-20KLDL-E1000E](#) [MDF7-16DP-2.54DSA\(55\)](#) [AXE810124](#) [FCN-214J100-G/0](#) [FCN-230C068-E/S](#) [AXE812124](#) [AXE816124](#) [AXE720127](#)