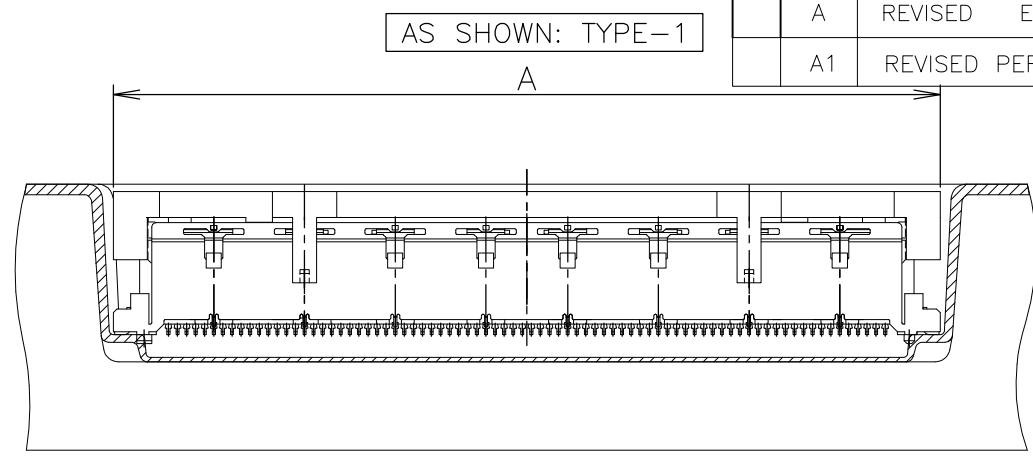
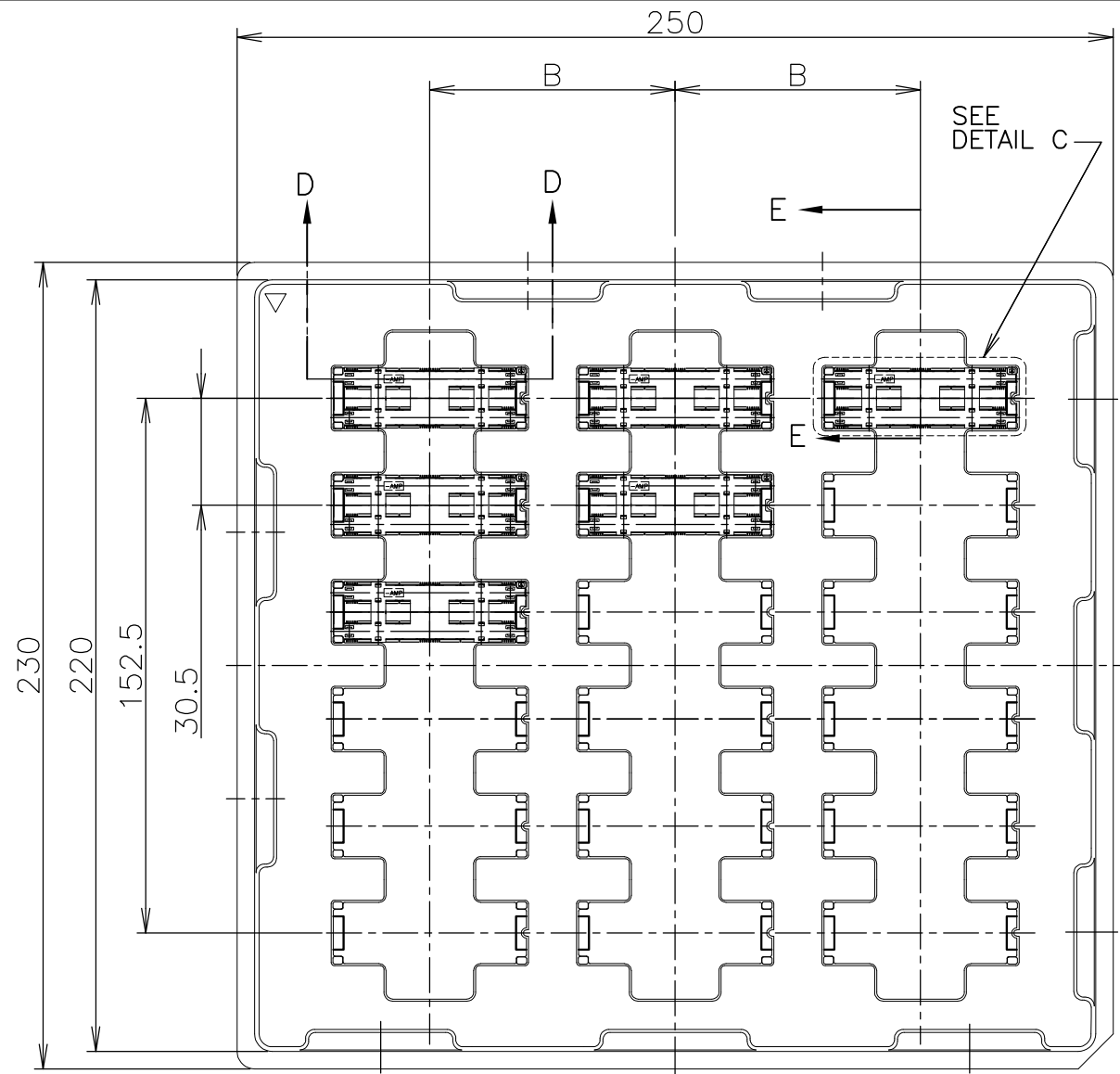


THIS DRAWING IS UNPUBLISHED. RELEASED FOR PUBLICATION NOV, 1998. ALL RIGHTS RESERVED.

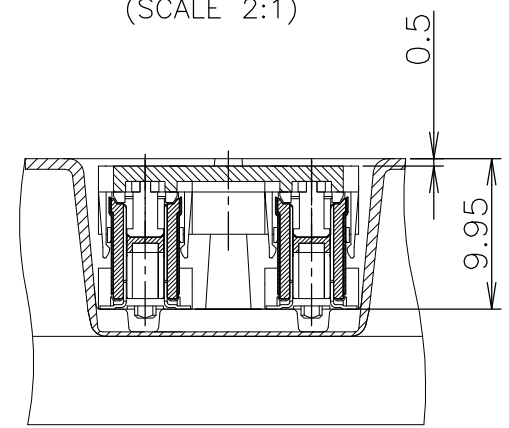
© COPYRIGHT 1998 By -

REVISIONS		変更		DATE	DWN	APVD
P	LTR	DESCRIPTION				
	A	REVISED	ECR-08-000339	01FEB08	T.T	T.F
	A1	REVISED PER	ECO-16-002723	02FEB16	B.J	S.Y

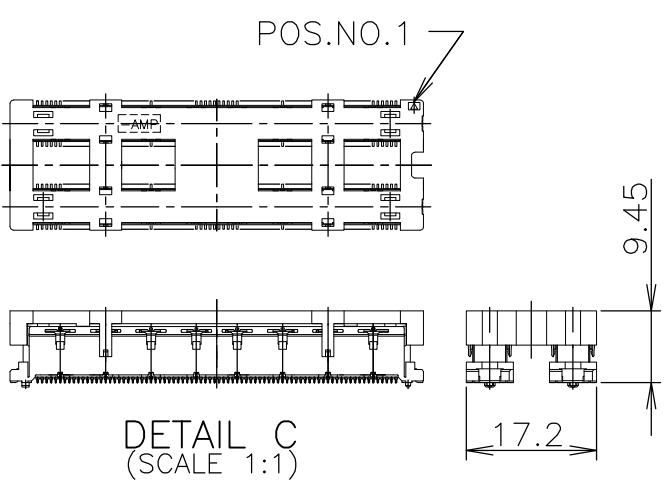
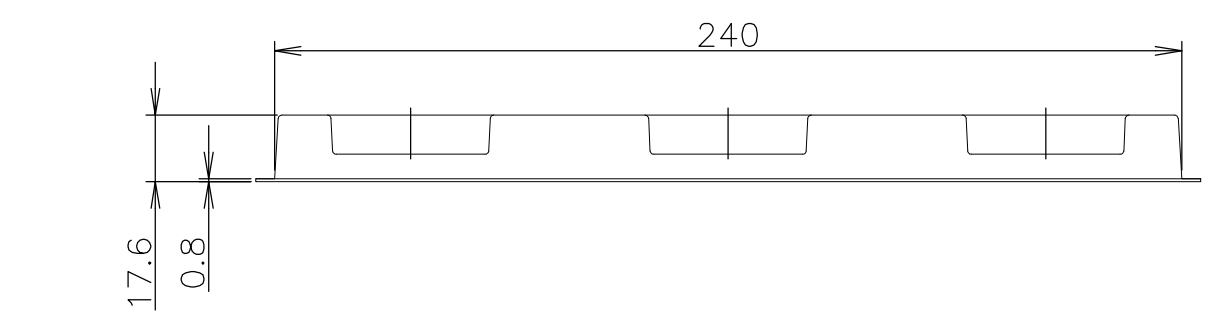
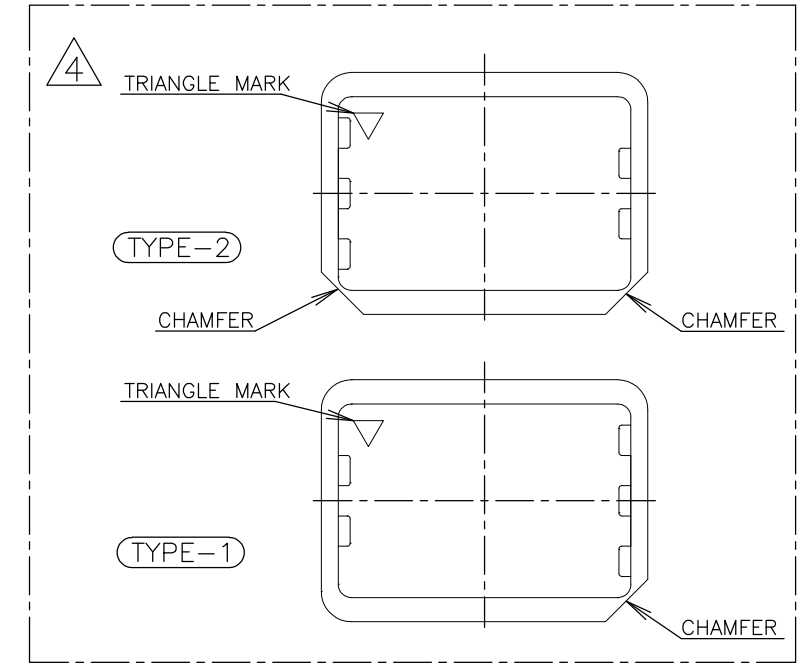


△ TRAY TYPE-1 AND TYPE-2 MUST BE PILED UP BY TURNS.
(REFER TO PACKING SPECIFICATIONS)

D-D
(SCALE 2:1)



E-E
(SCALE 2:1)



DETAIL C
(SCALE 1:1)

GENERAL TOLERANCE
一般公差

10 ≥	±0.2
30 ≥	>10: ±0.25
100 ≥	>30: ±0.3
ANGLES: ±3°	

THIS DRAWING IS A CONTROLLED DOCUMENT.

DIMENSIONS: 単位: 耗 mm	TOLERANCES UNLESS OTHERWISE SPECIFIED: 一般公差
	0 PLC ± -
	1 PLC ± -
	2 PLC ± -
	3 PLC ± -
	4 PLC ± -
	ANGLES ± -
MATERIAL 材料	FINISH 仕上

Ⓐ OBSOLETE

SEALANT	TOOLING STATUS	ROW	QTY	B	A	POS.	TRAY P/N	PART NO.
↑	AVAILABLE	3	18	70	54.7	320	6-912069-9	6-6318154-1
↑	NOT AVAILABLE	↑	↑	↑	48.7	280	6- ↑ -8	6- ↑ -0
↓	NOT AVAILABLE	↓	↓	↓	42.7	240	6- ↑ -7	5- ↑ -9
↓	NOT AVAILABLE	3	18	70	36.7	200	6- ↑ -6	5- ↑ -8
↑	NOT AVAILABLE	3	18	70	54.7	320	6- ↑ -9	1- ↑ -1
↑	NOT AVAILABLE	↑	↑	↑	48.7	280	6- ↑ -8	1- ↑ -0
↓	NOT AVAILABLE	↓	↓	↓	42.7	240	6- ↑ -7	↑ -9
↓	NOT AVAILABLE	3	18	70	36.7	200	6-912069-6	6318154-8

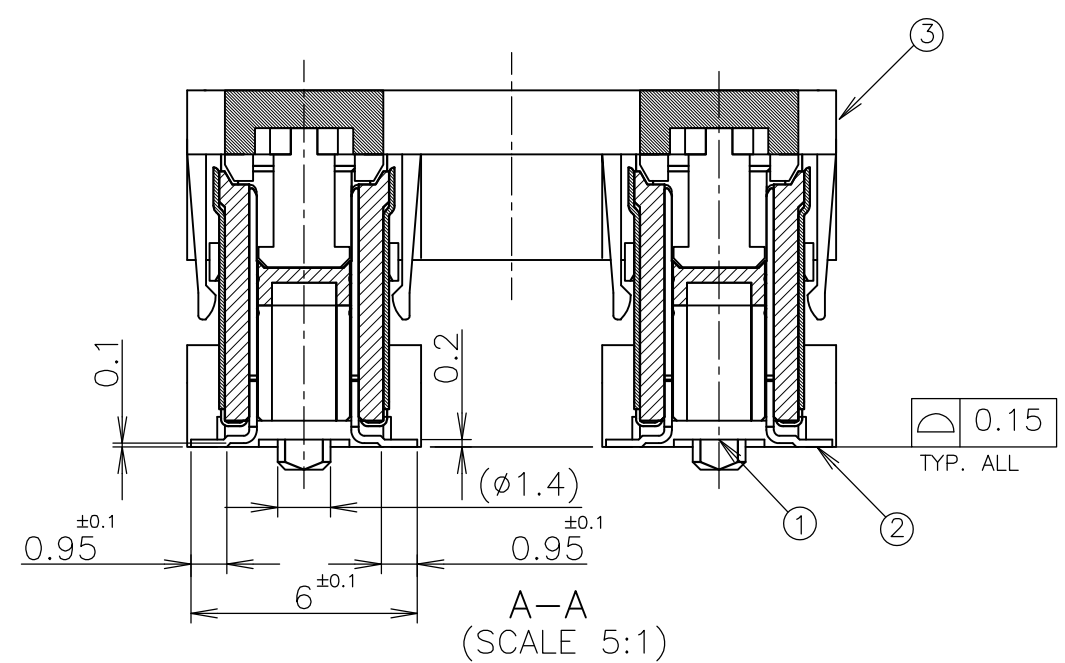
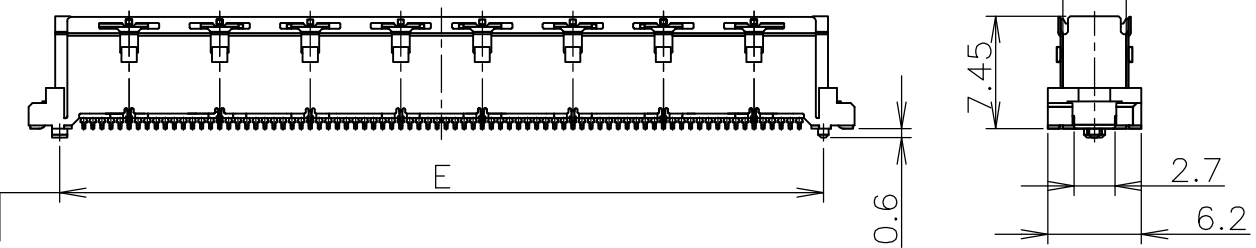
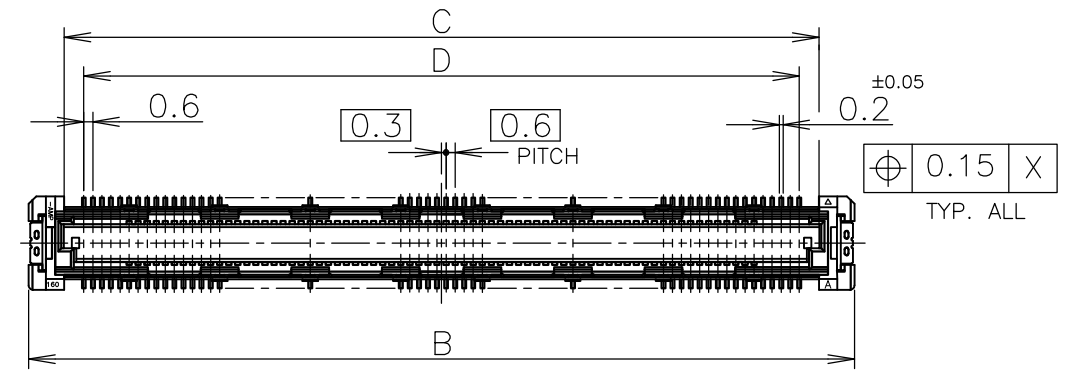
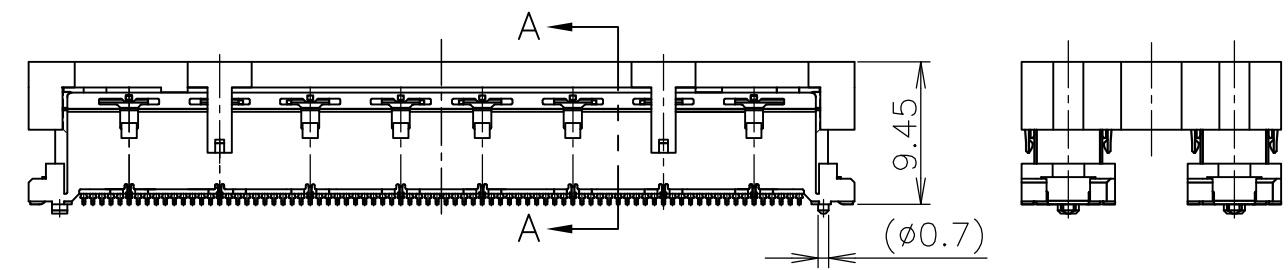
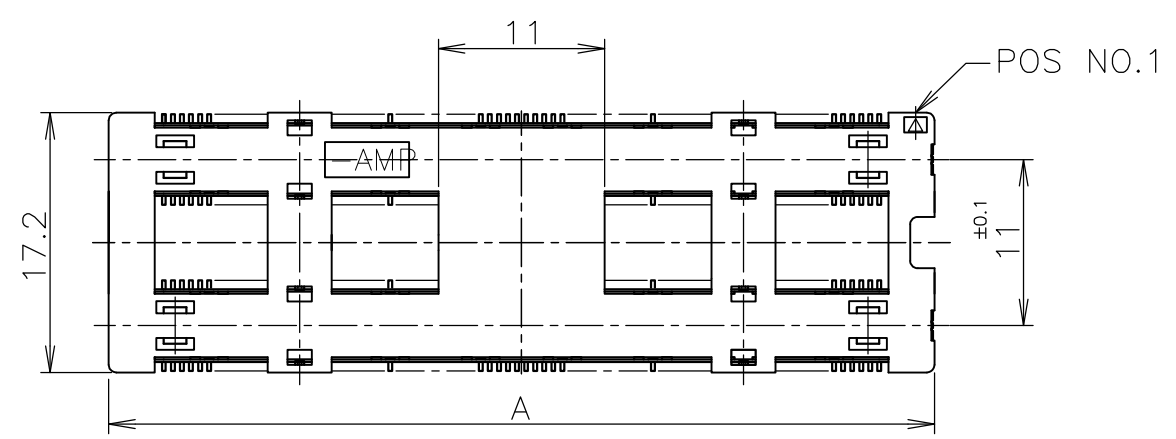


SOFT TRAY ASSY
FH 0.6BTB CONNECTOR
PLUG 8H W/G-PLATE 2ROW TYPE

DWN HAWKING HE 13DEC04	NAME 名称	
CHK STEVEN YAO 13DEC04	DRAWING NO 番号	
APVD I.ENOMOTO 13DEC04	SIZE A3	RESTRICTED TO
PRODUCT SPEC 製品規格 108-60047	CAGE CODE 00779	SCALE 尺度 1:2
APPLICATION SPEC 取付適用規格 114-5255	DRAWING NO 番号 G-6318154	SHEET 1 OF 6
WEIGHT	CUSTOMER DRAWING	REV A1

THIS DRAWING IS UNPUBLISHED. RELEASED FOR PUBLICATION NOV, 1998.
 © COPYRIGHT 1998 By - ALL RIGHTS RESERVED.

REVISIONS 変更					
P	LTR	DESCRIPTION	DATE	DWN	APVD
-	-	SEE SHEET 1	-	-	-



- ① MATERIAL ; ① HOUSING : HIGH TEMP THERMO PLASTIC UL94V-0 (COLOR : NATURAL)
- ② CONTACT : COPPER ALLOY
- ③ CAP HOUSING : HIGH TEMP THERMO PLASTIC UL94V-0 (COLOR : BLACK)
- △ FINISH ; UNDER PL Ni 0.0013mm MIN ALL OVER.
CONTACT AREA 0.0002 MIN Au PL.
SOLDERING AREA 0.001 MIN TIN PL.
- ③ THIS POSITION IS GROUND CIRCUIT.

AVAILABLE	51.8	50.6	47.4	50	54.7	54.7	320	1-	-1
NOT AVAILABLE	45.8	44.6	41.4	44	48.7	48.7	280	1-	-0
NOT AVAILABLE	39.8	38.6	35.4	38	42.7	42.7	240		-9
NOT AVAILABLE	33.8	32.6	29.4	32	36.7	36.7	200		1318156-8
TOOLING STATUS	F	E	D	C	B	A	POS		CAP P/N

GENERAL TOLERANCE
一般公差

10 ≥ : ±0.2
 30 ≥ : >10: ±0.25
 100 ≥ : >30: ±0.3
 ANGLES: ±3°

THIS DRAWING IS A CONTROLLED DOCUMENT.	
DIMENSIONS: 単位: 概 mm	TOLERANCES UNLESS OTHERWISE SPECIFIED: 一般公差
0 PLC ±-	1 PLC ±-
2 PLC ±-	3 PLC ±-
4 PLC ±-	ANGLES ±-
MATERIAL 材料	FINISH 仕上

THIS DRAWING IS A CONTROLLED DOCUMENT.

DWN
CHK
APVD

PRODUCT SPEC
製品規格

APPLICATION SPEC
取付適用規格

WEIGHT

STE TE Connectivity

NAME
名称

SOFT TRAY ASSY
FH 0.6BTB CONNECTOR
PLUG 8H W/G-PLATE 2ROW TYPE

SIZE
A3

CAGE CODE
00779

DRAWING NO
番号
C-6318154

RESTRICTED TO

CUSTOMER DRAWING

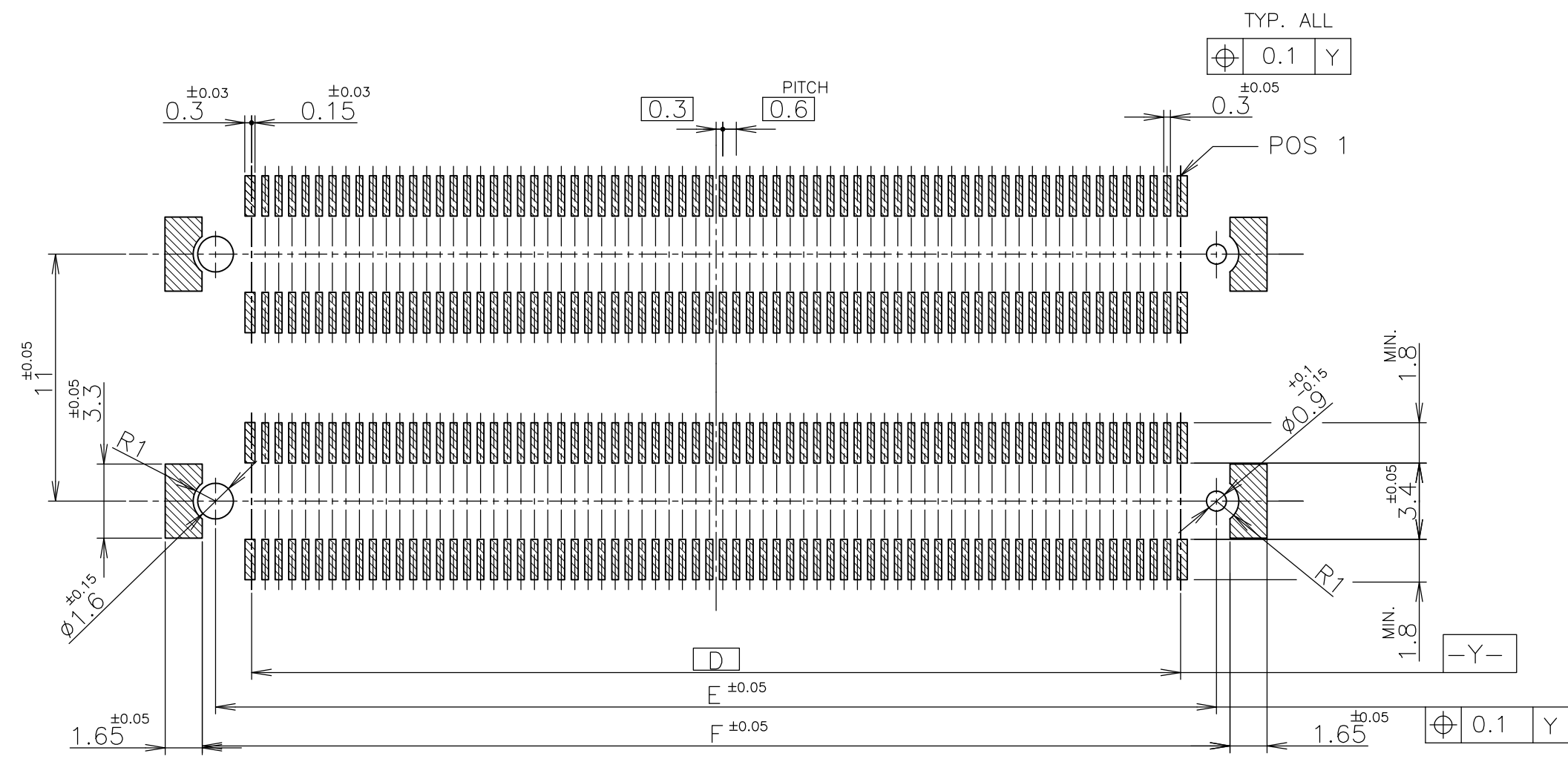
SCALE
尺度 2:1

SHEET
2 of 6

REV
A1

THIS DRAWING IS UNPUBLISHED.
 RELEASED FOR PUBLICATION NOV, 1998.
 ALL RIGHTS RESERVED.

P		LTR		DESCRIPTION	DATE	DWN	APVD
-		-		SEE SHEET 1	-	-	-



REFERENCE P.C.BOARD LAYOUT

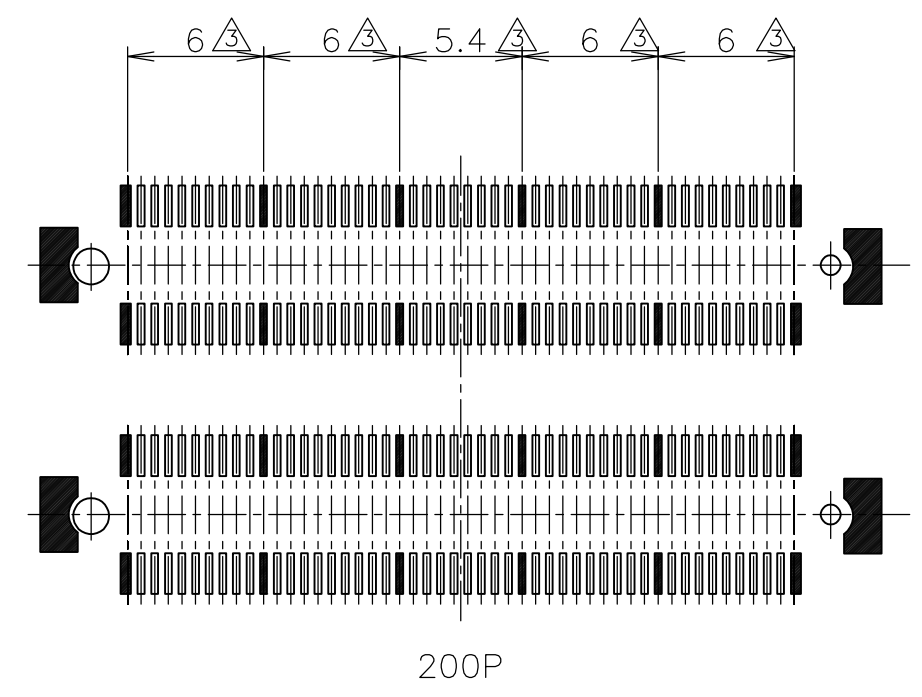
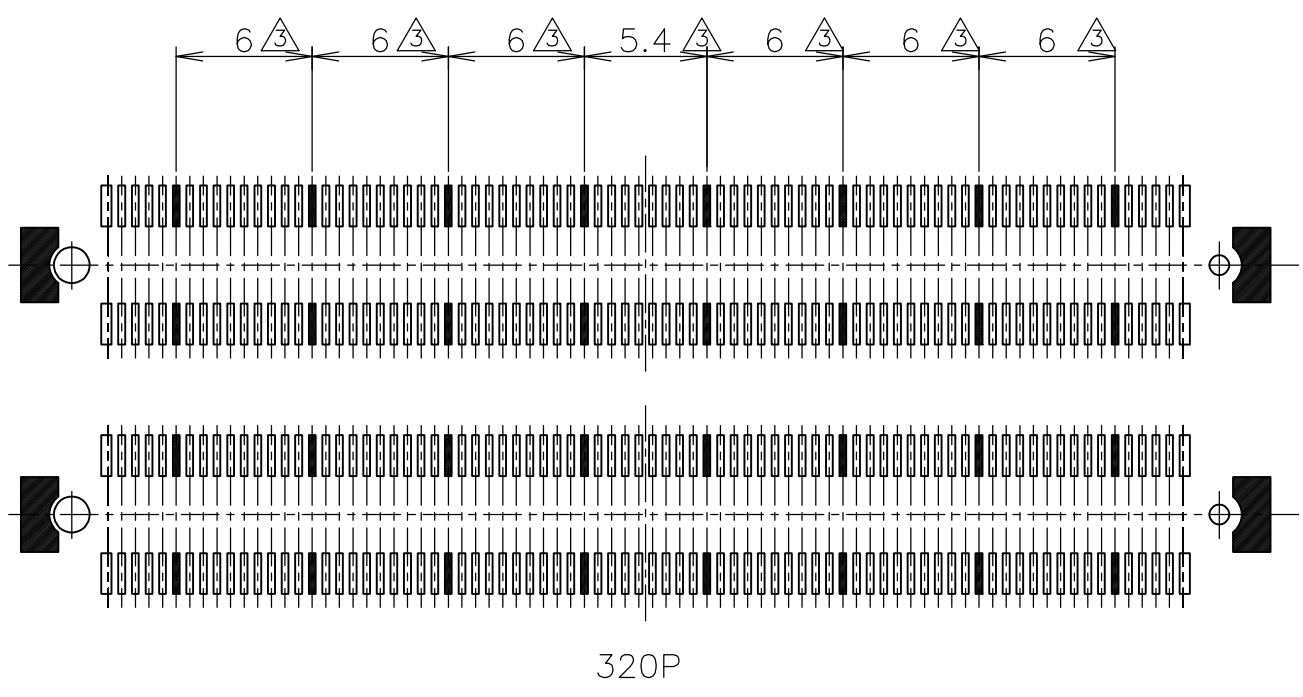
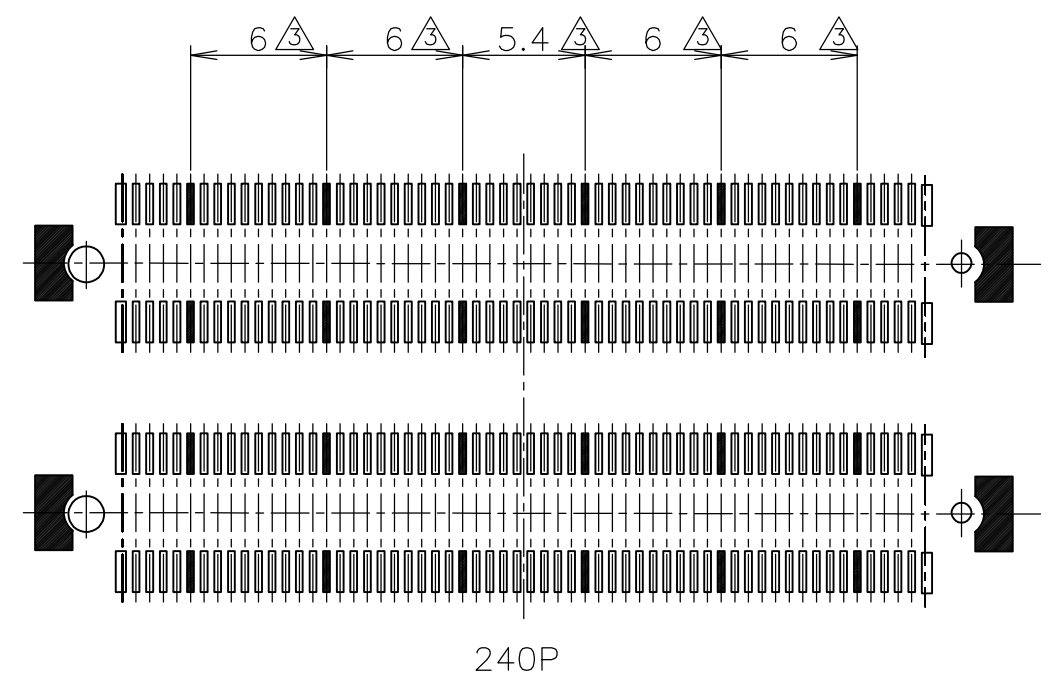
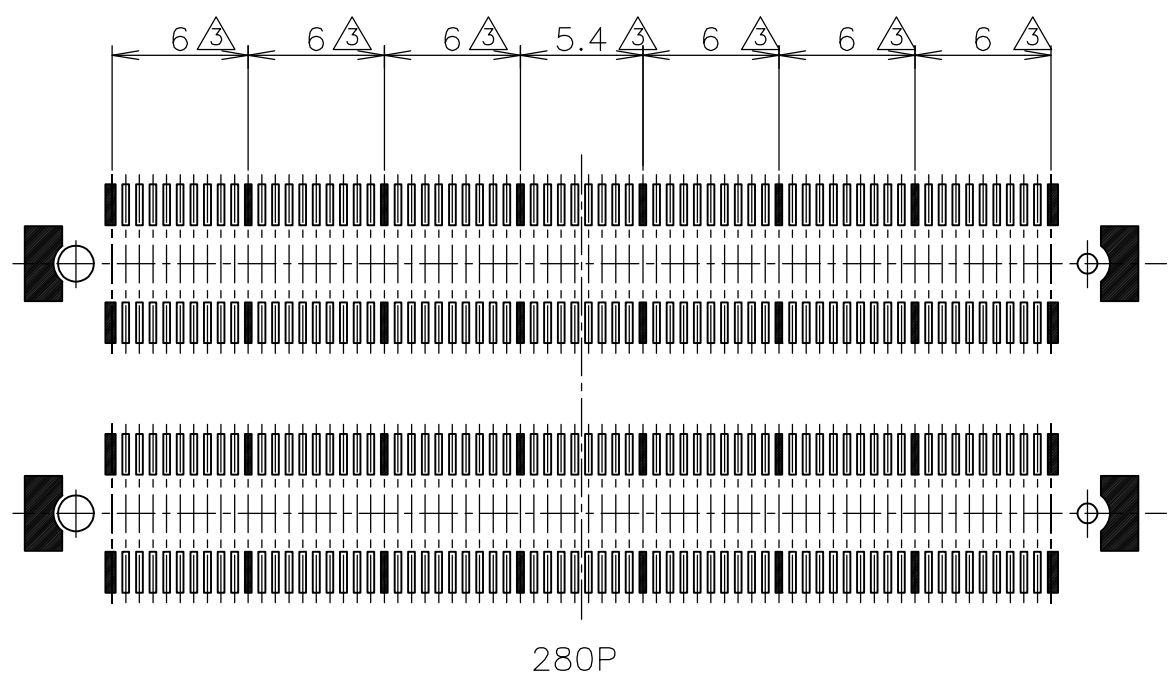
GENERAL TOLERANCE
 一般公差

10 ≥ : ±0.2
 30 ≥ >10 : ±0.25
 100 ≥ >30 : ±0.3
 ANGLES : ±3°

THIS DRAWING IS A CONTROLLED DOCUMENT.		DWN		STE TE Connectivity	
DIMENSIONS: 単位: 耗 mm		CHK			
TOLERANCES UNLESS OTHERWISE SPECIFIED: 一般公差		APVD		NAME 名称	
0 PLC ± - 1 PLC ± - 2 PLC ± - 3 PLC ± - 4 PLC ± - ANGLES ± -		PRODUCT SPEC 製品規格		SOFT TRAY ASSY FH 0.6BTB CONNECTOR PLUG 8H W/G-PLATE 2ROW TYPE	
MATERIAL 材料		FINISH 仕上		APPLICATION SPEC 取付適用規格	
		WEIGHT		SIZE A3	
		CUSTOMER DRAWING		CAGE CODE 00779	
				DRAWING NO G-6318154	
				RESTRICTED TO	
				SCALE 尺度 4:1	
				SHEET 3 OF 6	
				REV A1	

THIS DRAWING IS UNPUBLISHED. RELEASED FOR PUBLICATION NOV , 1998.
 © COPYRIGHT 1998 By - ALL RIGHTS RESERVED.

REVISIONS 変更				
P	LTR	DESCRIPTION	DATE	APVD
-	-	SEE SHEET 1	-	-

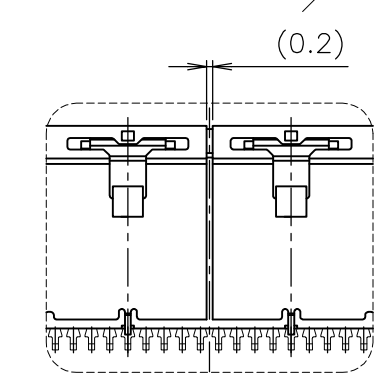
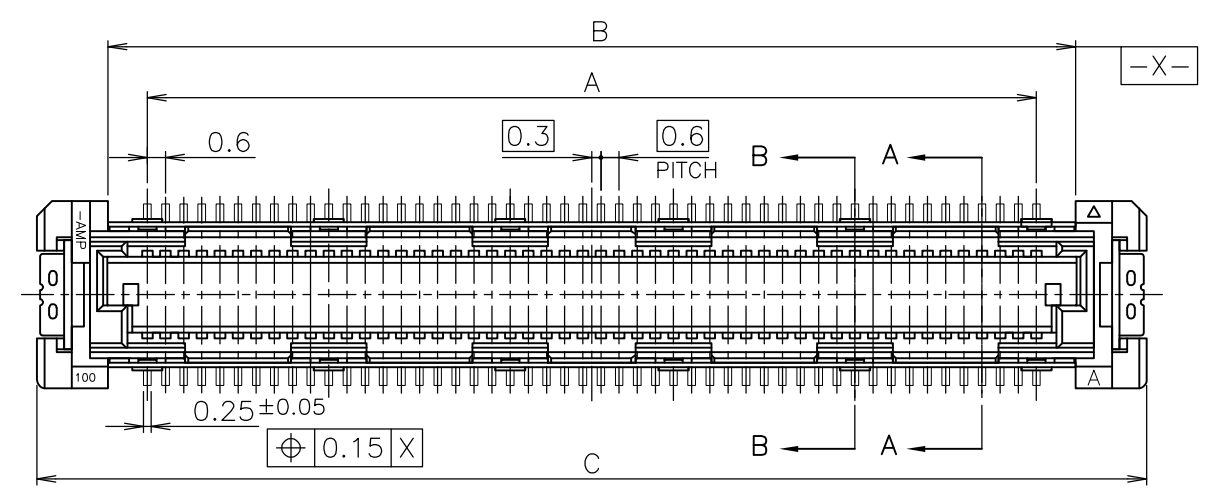


GENERAL TOLERANCE
一般公差

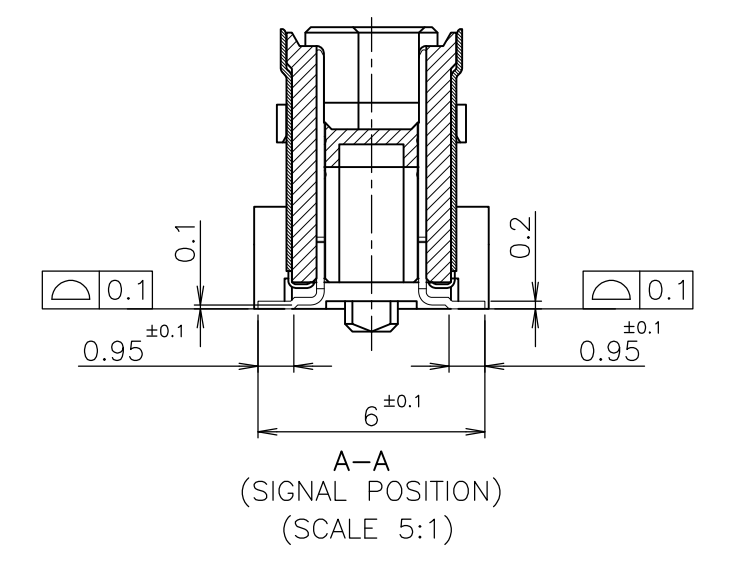
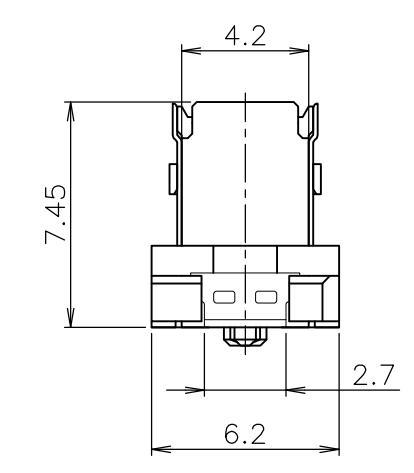
10 ≥	±0.2
30 ≥	>10: ±0.25
100 ≥	>30: ±0.3
ANGLES: ±3°	

THIS DRAWING IS A CONTROLLED DOCUMENT.		DWN		TE Connectivity NAME 名称 SOFT TRAY ASSY FH 0.6BTB CONNECTOR PLUG 8H W/G-PLATE 2ROW TYPE	
DIMENSIONS: 单位: 耗 mm		CHK			
TOLERANCES UNLESS OTHERWISE SPECIFIED: 一般公差		APVD			
0 PLC ±- 1 PLC ±- 2 PLC ±- 3 PLC ±- 4 PLC ±- ANGLES ±-		PRODUCT SPEC 製品規格			
MATERIAL 材料		FINISH 仕上		APPLICATION SPEC 取付適用規格	
CUSTOMER DRAWING		WEIGHT		SIZE	RESTRICTED TO
SCALE 尺度 3:1		SHEET 4 OF 6		REV A1	

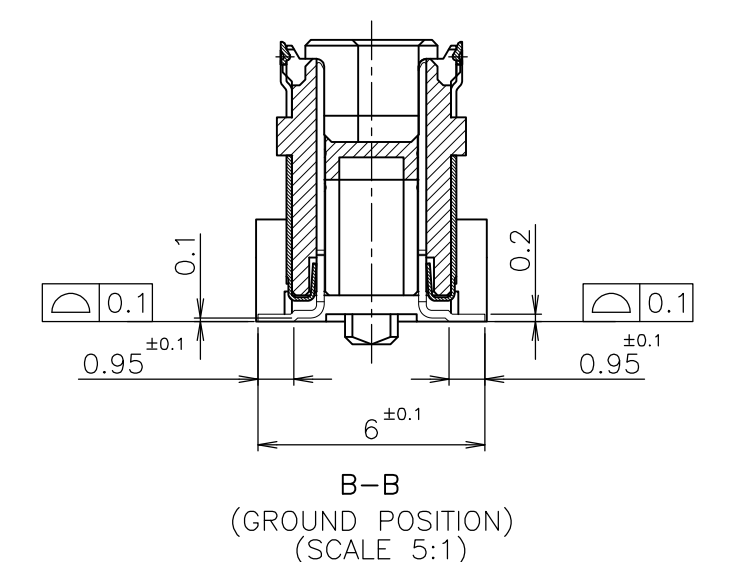
REVISIONS					
P	LTR	DESCRIPTION	DATE	DWN	APVD
-	-	SEE SHEET 1	-	-	-



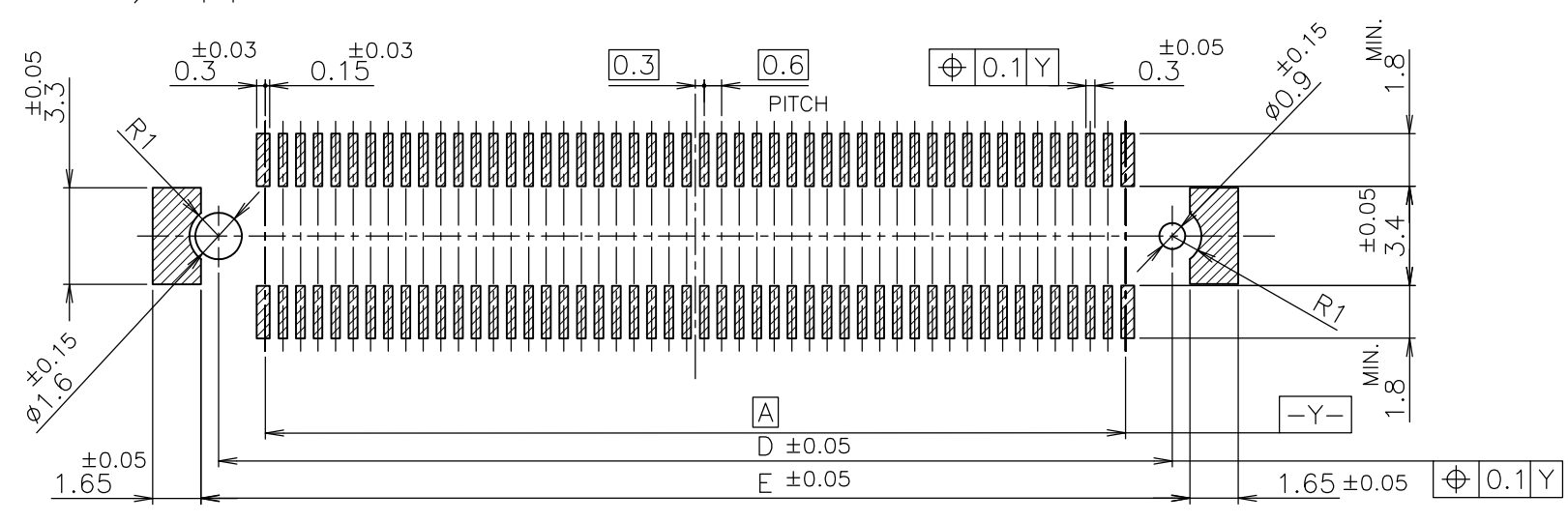
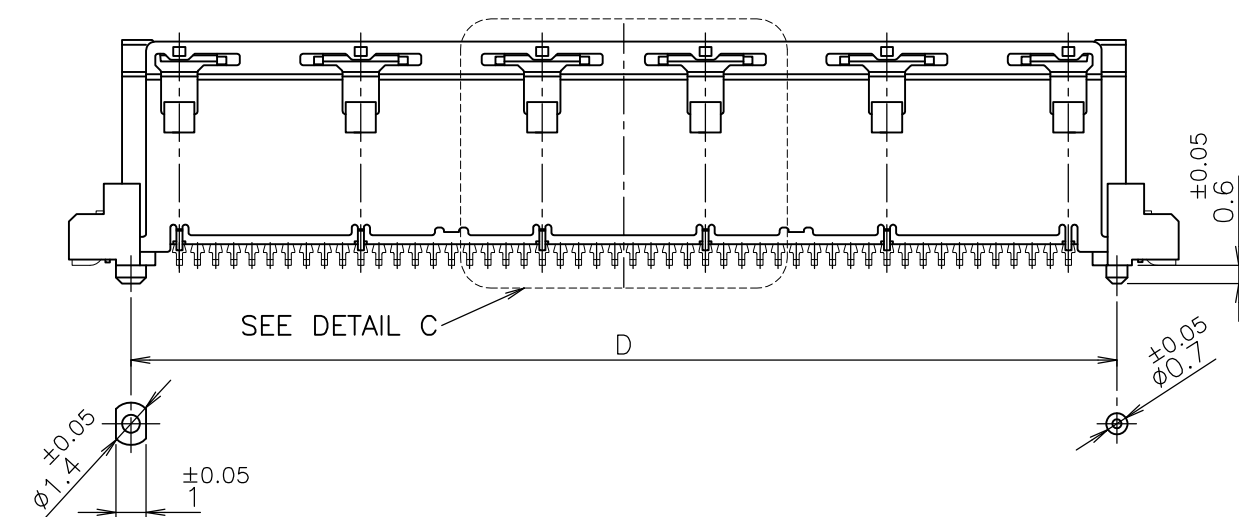
DETAIL C
180P~240P ONLY



A-A
(SIGNAL POSITION)
(SCALE 5:1)



B-B
(GROUND POSITION)
(SCALE 5:1)



REFERENCE P.C.BOARD LAYOUT

AVAILABLE	51.8	50.6	54.7	50	47.4	160
AVAILABLE	45.8	44.6	48.7	44	41.4	140
NOT AVAILABLE	39.8	38.6	42.7	38	35.4	120
NOT AVAILABLE	33.8	32.6	36.7	32	29.4	100
TOOLING STATUS	E	D	C	B	A	POS

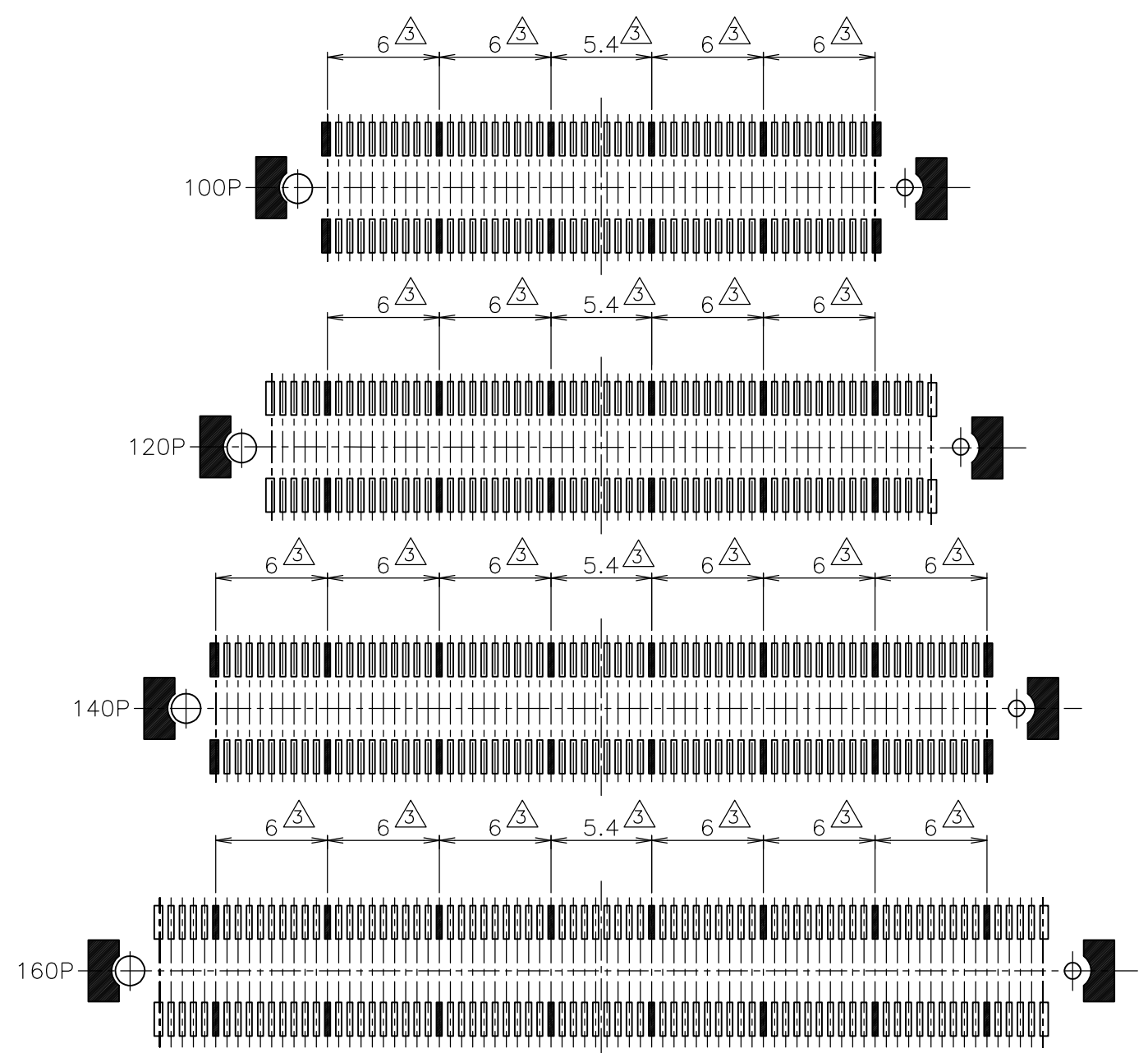
GENERAL TOLERANCE
一般公差

10 ≥ ±0.2
30 ≥ >10: ±0.25
100 ≥ >30: ±0.3
ANGLES: ±3°

THIS DRAWING IS A CONTROLLED DOCUMENT.		DWN	TE Connectivity			
DIMENSIONS: 单位: 耗 mm		CHK				
TOLERANCES UNLESS OTHERWISE SPECIFIED: 一般公差		APVD				
0 PLC ± - 1 PLC ± - 2 PLC ± - 3 PLC ± - 4 PLC ± - ANGLES ± -		NAME 名称				
MATERIAL 材料		WEIGHT	SOFT TRAY ASSY FH 0.6BTB CONNECTOR PLUG 8H W/G-PLATE 2ROW TYPE			
FINISH 仕上 1 2		CUSTOMER DRAWING	SIZE	CAGE CODE	DRAWING NO 番号	RESTRICTED TO
			A3	00779	G-6318154	
			SCALE 尺度	SHEET	REV	
			4:1	5 OF 6	A1	

THIS DRAWING IS UNPUBLISHED. RELEASED FOR PUBLICATION NOV, 1998.
 © COPYRIGHT 1998 By - ALL RIGHTS RESERVED.

REVISIONS 変更				
P	LTR	DESCRIPTION	DATE	APVD
-	-	SEE SHEET 1	-	-



GENERAL TOLERANCE
一般公差

10 ≥ : ±0.2
 30 ≥ >10 : ±0.25
 100 ≥ >30 : ±0.3
 ANGLES : ±3°

THIS DRAWING IS A CONTROLLED DOCUMENT.	
DIMENSIONS: 単位: 耗 mm	TOLERANCES UNLESS OTHERWISE SPECIFIED: 一般公差
	0 PLC ± - 1 PLC ± - 2 PLC ± - 3 PLC ± - 4 PLC ± - ANGLES ± -
MATERIAL 材料	FINISH 仕上

DWN
CHK
APVD
PRODUCT SPEC 製品規格
APPLICATION SPEC 取付適用規格
WEIGHT
CUSTOMER DRAWING

TE Connectivity			
NAME 名称 SOFT TRAY ASSY FH 0.6BTB CONNECTOR PLUG 8H W/G-PLATE 2ROW TYPE			
SIZE	CAGE CODE	DRAWING NO 番号	RESTRICTED TO
A3	00779	G-6318154	
SCALE 尺度 3:1		SHEET 6 OF 6	REV A1

X-ON Electronics

Largest Supplier of Electrical and Electronic Components

Click to view similar products for [Board to Board & Mezzanine Connectors](#) category:

Click to view products by [TE Connectivity](#) manufacturer:

Other Similar products are found below :

[589158040000018](#) [MDF7C-18P-2.54DSA\(55\)](#) [FCN-230C068-11](#) [FCN-268F012-G/BD](#) [FCN-268F036-G/BD](#) [FCN-268M012-G/0D](#) [FCN-268M024-G/1D](#) [FCN-723J004/1](#) [MIS-048-01-F-D-DP-K](#) [832-10-034-10-001000](#) [FX4C-80S-1.27DSA](#) [FCN-214Q030-G/0](#) [FCN-234P048-G/0](#) [FCN-235D050-G/C](#) [210-93-314-41-105000](#) [2-22603-0](#) [MDF7-40DP-2.54DSA\(55\)](#) [AXG720047](#) [5031084030](#) [MIT-114-03-F-D-K](#) [55323-1519](#) [DF33-2P-3.3DSA\(24\)](#) [YFT-20-05-H-03-SB-K](#) [503308-3040](#) [026-6203-PDB](#) [027-6203-PDB](#) [069159702701000](#) [10123981-102LF](#) [101A10019X](#) [55650-0588-C](#) [68682-310LF](#) [68684-306](#) [75140-7012](#) [87471-650](#) [194261-1](#) [FCN-268F024-G0D](#) [10124054-515LF](#) [68685-603](#) [8-1616154-3](#) [MIS-019-01-F-D](#) [FCN-268M024-G/3D](#) [20021832-06016C1LF](#) [KX15-20KLDL-E1000E](#) [MDF7-16DP-2.54DSA\(55\)](#) [AXE810124](#) [FCN-214J100-G/0](#) [FCN-230C068-E/S](#) [AXE812124](#) [AXE816124](#) [AXE720127](#)