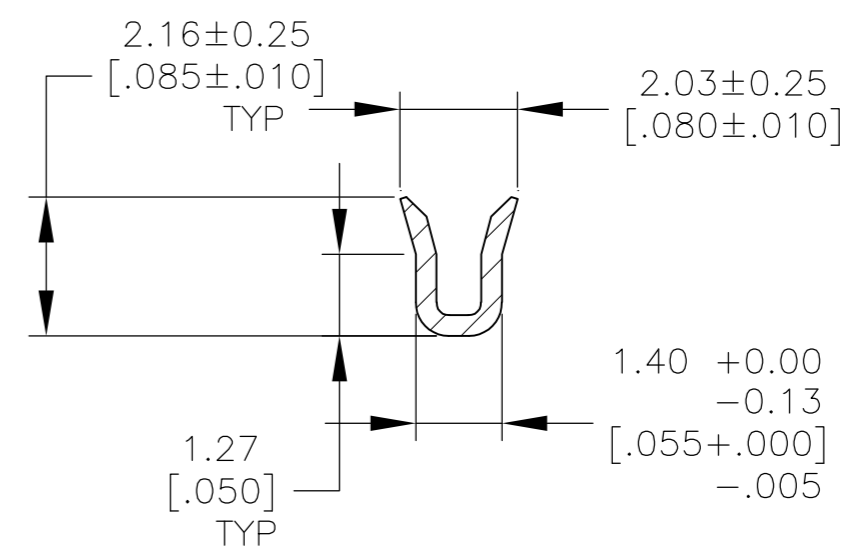
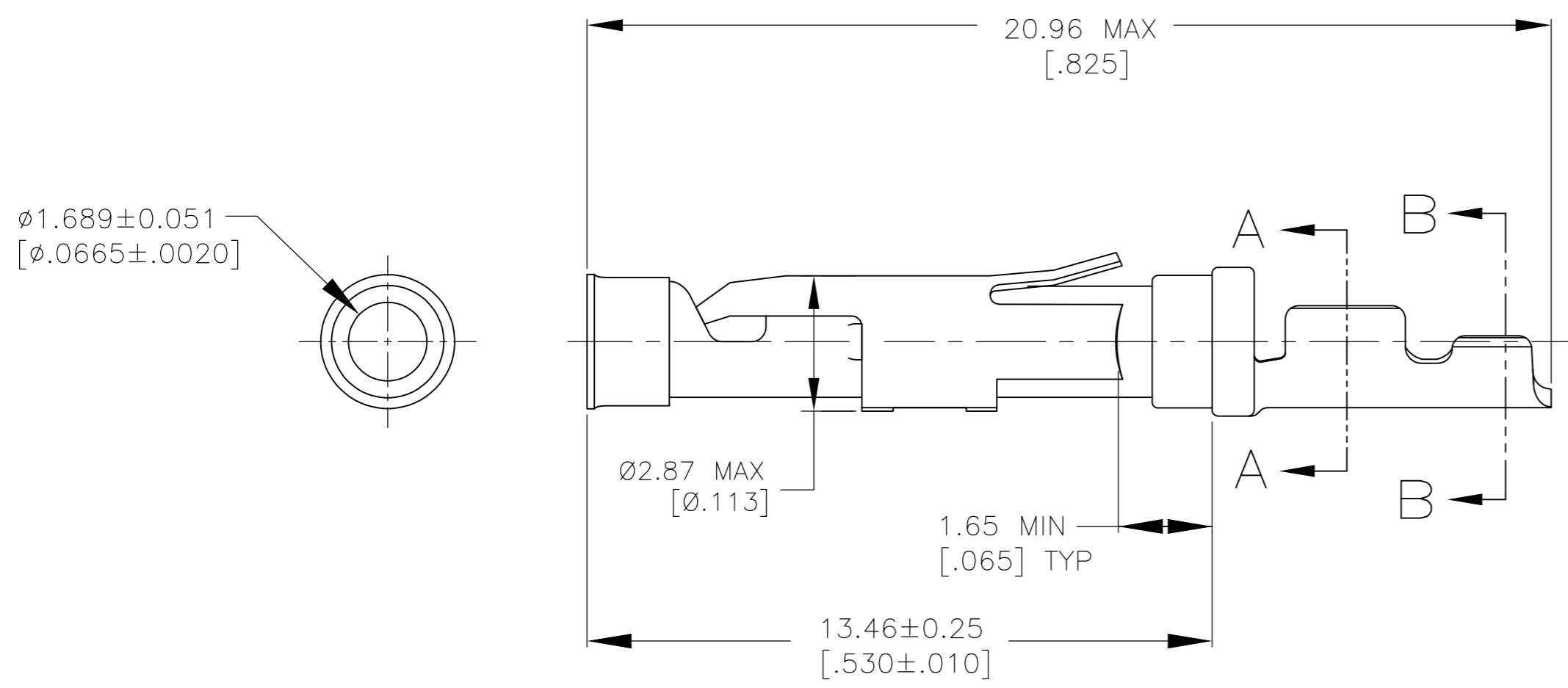
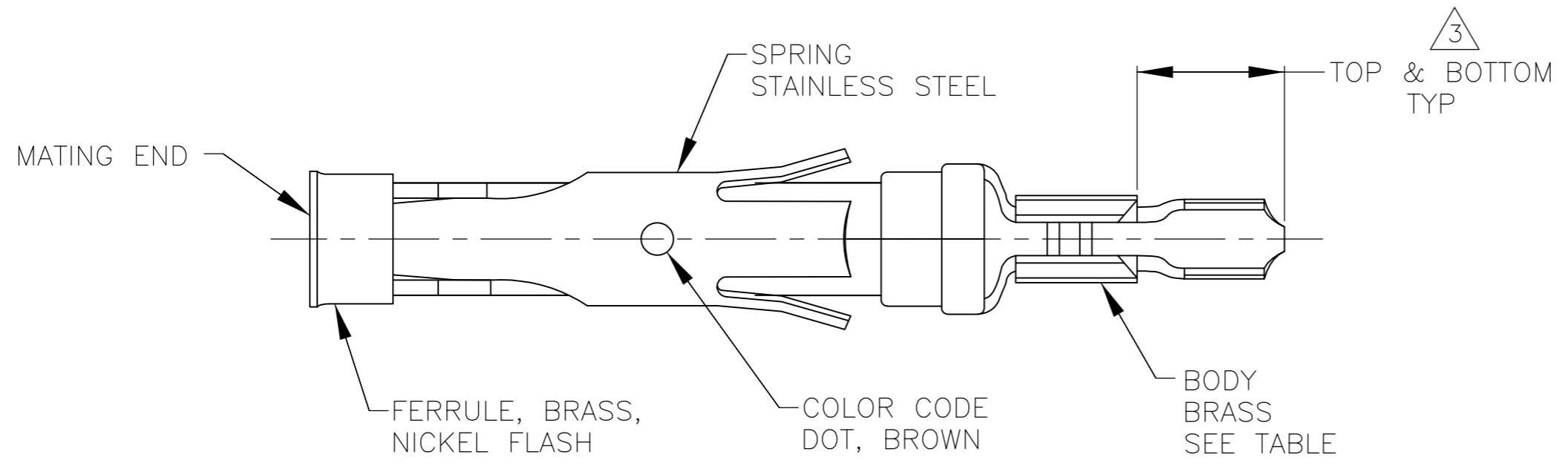
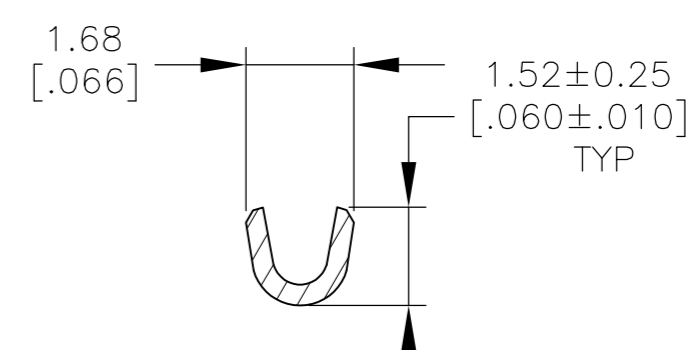


THIS DRAWING IS UNPUBLISHED. RELEASED FOR PUBLICATION  
 © COPYRIGHT - By - ALL RIGHTS RESERVED.

| REVISIONS |     |                           |           |       |
|-----------|-----|---------------------------|-----------|-------|
| P         | LTR | DESCRIPTION               | DATE      | APVD  |
| P1        |     | REVISED PER ECO-16-001847 | 19JUL2016 | NK MZ |



SECTION A-A



SECTION B-B

- 1 0.76µm [.000030] MIN GOLD PER MIL-G-45204 ON MATING END FOR A LENGTH OF 5.08 [.200] MIN WITH 1.27µm [.000050] MATTE TIN PLATE IN WIRE CRIMP AREA, BOTH OVER 0.76µm [.000030] MIN NICKEL PER QQ-N-290.
- 2 0.76µm [.000030] MIN GOLD PER MIL-G-45204 ON MATING END FOR A LENGTH OF 5.08 [.200] MIN WITH A UNIFORM GRADIENT TO 0.25µm [.000010] MIN GOLD PER MIL-G-45204 ON THE REMAINDER OVER 0.76µm [.000030] MIN NICKEL PER QQ-N-290.
- 3 GOLD PLATING NEED NOT APPEAR IN THIS AREA.
- 4 WIRE RANGE 26-30 AWG. INSULATION RANGE 0.36[.014]-0.76[.030].
- 5 0.38µm [.000015] MIN GOLD PER MIL-G-45204 ON MATING END FOR A LENGTH OF 5.08 [.200] MIN, 1.27µm [.000050] MIN TIN-LEAD PER MIL-T-10727 FOR A LENGTH OF 5.69 [.224] MIN ON OPPOSITE END, BOTH OVER 1.27µm [.000050] MIN NICKEL PER QQ-N-290 ON ENTIRE CONTACT.

|          |   |               |         |
|----------|---|---------------|---------|
| OBSOLETE | 5 | 1-66394-4     | 66405-8 |
|          | 1 | 66394-4       | 66405-4 |
| OBSOLETE | 2 | 66394-1       | 66405-1 |
|          | 3 | BODY FINISH   | PART NO |
|          |   | STRIP P/N REF |         |

|  |  |                      |   |                 |
|--|--|----------------------|---|-----------------|
| THIS DRAWING IS A CONTROLLED DOCUMENT. |  | DWN R.SHIREY 7-30-91 | <b>TE</b> TE Connectivity               |                 |
| DIMENSIONS: mm [INCHES]                |  | CHK R.STONE 9-19-91  |   |                 |
| TOLERANCES UNLESS OTHERWISE SPECIFIED: |  | APVD -               | NAME                                    |                 |
| 0 PLC ± -                              |  | PRODUCT SPEC -       | SOCKET ASSEMBLY, LOOSE PIECE, TYPE III+ |                 |
| 1 PLC ± -                              |  | APPLICATION SPEC -   | SIZE A2                                 | CAGE CODE 00779 |
| 2 PLC ± 0.13[.005]                     |  | WEIGHT -             | DRAWING NO C=66405                      | RESTRICTED TO - |
| 3 PLC ± -                              |  | CUSTOMER DRAWING     | SCALE 8:1                               | SHEET 1 of 1    |
| 4 PLC ± -                              |  |                      | REV P1                                  |                 |
| ANGLES ± -                             |  |                      |   |                 |
| FINISH SEE CALLOUTS                    |  |                      |   |                 |

## X-ON Electronics

Largest Supplier of Electrical and Electronic Components

*Click to view similar products for [Standard Circular Contacts](#) category:*

*Click to view products by [TE Connectivity](#) manufacturer:*

Other Similar products are found below :

[RC16M23J](#) [133780-1](#) [RM20M13D28](#) [RM24M9D28](#) [RMMX110-1D28](#) [MS3474W10-6P L/C](#) [ELFH02211](#) [ELVP16100E](#) [164-901-CD](#)  
[EN3545007SCE](#) [BV002BSQ20049CZ](#) [BV002SSQ160404CZ](#) [1900ND05S1B00B](#) [166566-1](#) [1900ND04S1X00D](#) [ST-JL05-16S-C3-100](#) [ST-](#)  
[JL05-20S-C1-100](#) [ST-JL05-20S-C2-100](#) [T01-CRIMP-S03](#) [APK-SA16A07-002](#) [27963-15T12](#) [CONT-JL05-08S-C2-10](#) [CONT-JL05-12S-C1-](#)  
[10](#) [RC16M-23T](#) [RFD26L-1D28](#) [BV002ASJ16049CW](#) [JN1-22-20S-R-PKG100](#) [031-50213](#) [031-50565](#) [031-50794](#) [SJS861301M](#) [ST-JL05-](#)  
[16S-C1-100](#) [ST-JL05-20P-C1-100](#) [82911466K](#) [192991-0087](#) [192900-0570](#) [44-100-1414P-1000-101](#) [T3P16FC3LZ](#) [ST-JL05-16S-C2-3500](#)  
[ZP-4016-10NF](#) [CONT-JL05-12P-C1-10](#) [RM20M12G8D28](#) [031-50676](#) [12115010110](#) [RJFTVC2MG](#) [CAP-DACMDPC2](#) [031-50675-002](#)  
[CAP-DD1FDPC2](#) [CAP-DACMDPC1](#) [031-50966-010](#)