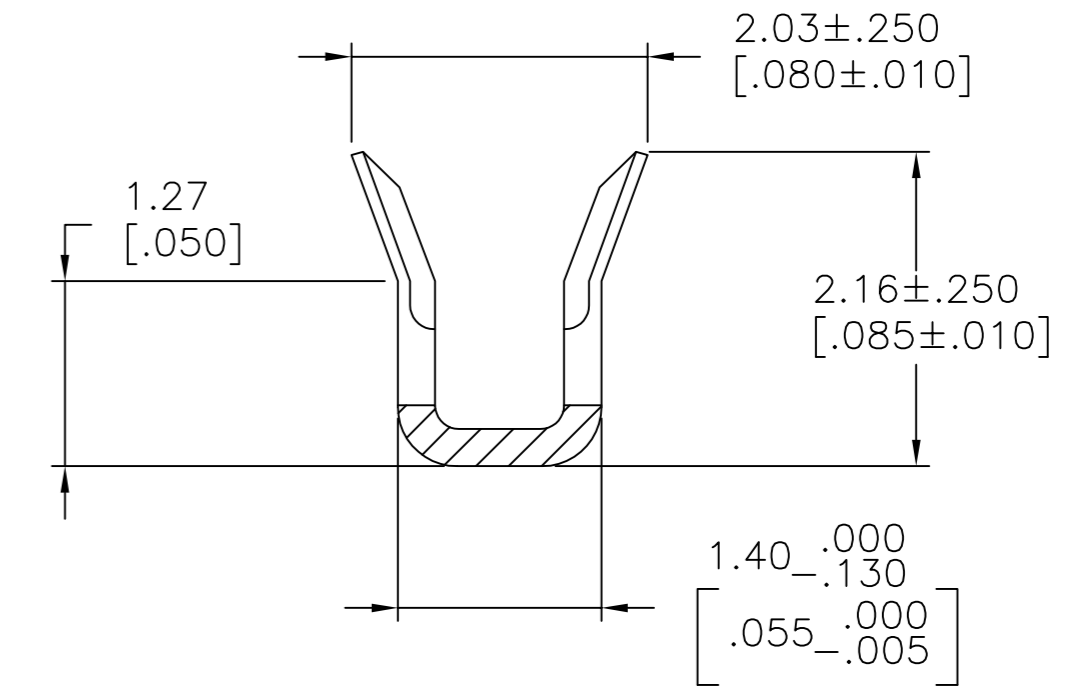
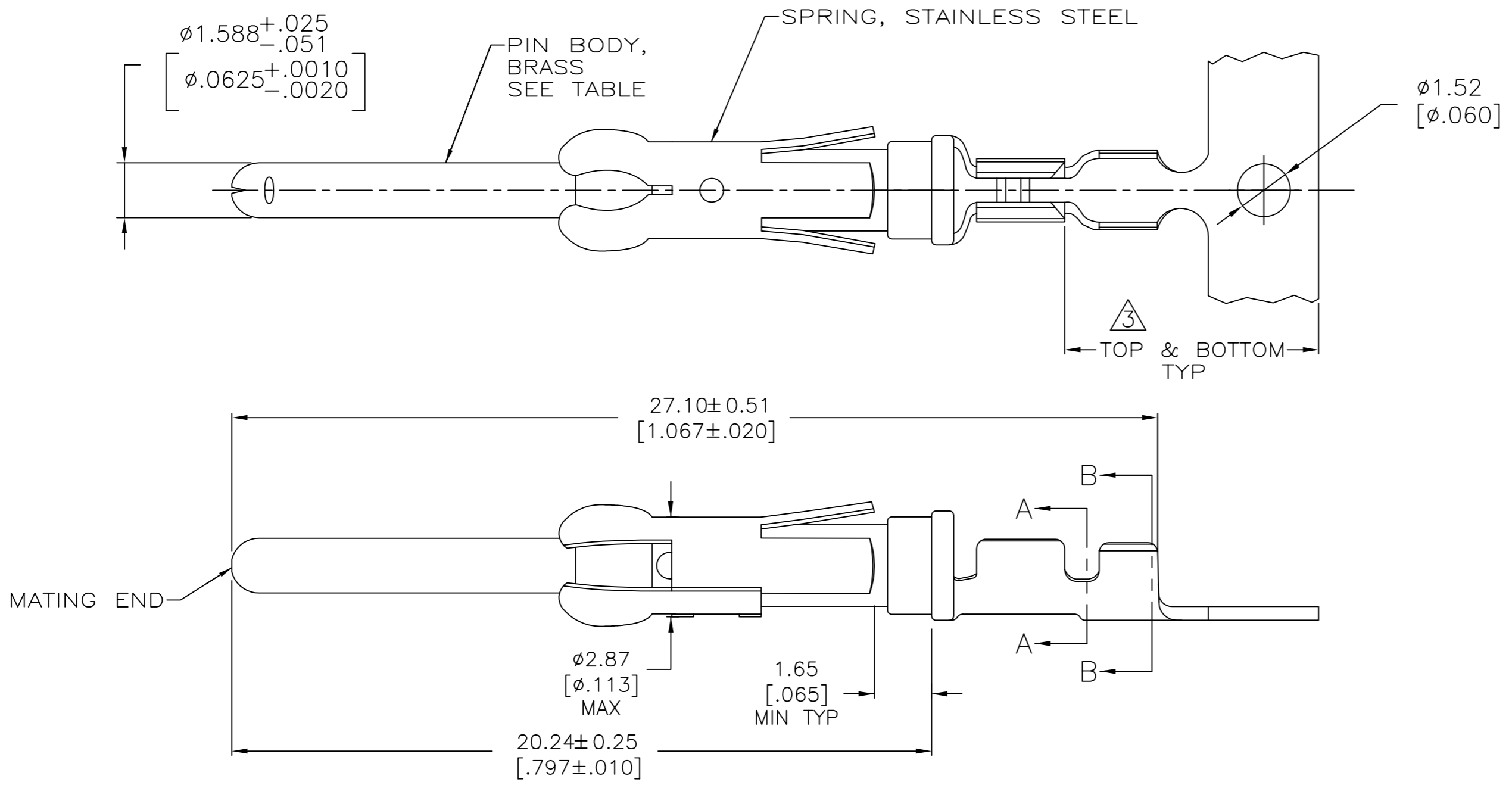
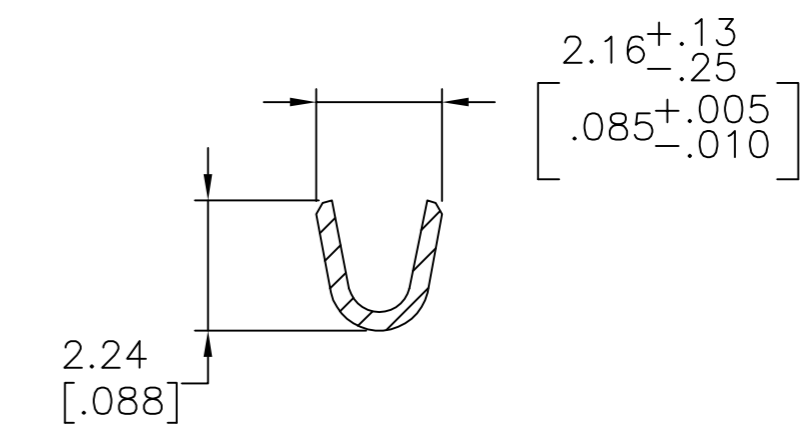


THIS DRAWING IS UNPUBLISHED. RELEASED FOR PUBLICATION  
 © COPYRIGHT - T1 ALL RIGHTS RESERVED.

REVISIONS					
P	LTR	DESCRIPTION	DATE	DWN	APVD
U		REVISED PER ECO-12-012316	05JUL12	KH	MZ
V		REVISED PER ECO-16-017885	06OCT2017	RS	MZ



SECTION A-A



SECTION B-B

- 1.  $0.76 \mu\text{m}$  [ $.000030$ ] MIN PRECIOUS METAL PLATE ON MATING END FOR A LENGTH OF  $5.08$  [ $.200$ ] MIN WITH  $1.27 \mu\text{m}$  [ $.000050$ ] MIN MATTE TIN PLATE IN WIRE CRIMP AREA, BOTH OVER  $1.27 \mu\text{m}$  [ $.000050$ ] MIN NICKEL PLATE. CONFORMS TO THE REQUIREMENTS OF TE CONNECTIVITY PRODUCT SPEC 108-10042, BASED ON EIA/ECA-364-1000.01A ( CONTROLLED ENVIRONMENT APPLICATIONS ).
- 2. REELED FOR MINI-APPLICATOR.
- 3. GOLD PLATING NEED NOT APPEAR IN THIS AREA.
- 4.  $0.76 \mu\text{m}$  [ $.000030$ ] MIN PRECIOUS METAL PLATE ON MATING END FOR A LENGTH OF  $5.08$  [ $.200$ ] MIN WITH A UNIFORM GRADIENT TO  $0.25 \mu\text{m}$  [ $.000010$ ] ON REMAINDER, OVER  $1.27 \mu\text{m}$  [ $.000050$ ] MIN NICKEL PLATE. GOLD FLASH ALL OVER. CONFORMS TO THE REQUIREMENTS OF TE CONNECTIVITY PRODUCT SPEC 108-10042, BASED ON EIA/ECA-364-1000.01A ( CONTROLLED ENVIRONMENT APPLICATIONS ).
- 5.  $0.38 \mu\text{m}$  [ $.000015$ ] MIN GOLD PER MIL-G-45204 ON MATING END FOR A LENGTH OF  $5.08$  [ $.200$ ] MIN WITH  $1.27 \mu\text{m}$  [ $.000050$ ] MIN MATTE TIN PLATE IN WIRE CRIMP AREA, BOTH OVER  $1.27 \mu\text{m}$  [ $.000050$ ] NICKEL PER QQ-N-290.
- 6. WIRE RANGE 26-30 AWG.
- 7. INSULATION RANGE  $1.02$  [ $.040$ ]- $1.52$  [ $.060$ ] DIA.
- 8.  $1.27 \mu\text{m}$  [ $.000050$ ] MIN TIN-LEAD PER MIL-T-10727 OVER  $1.27 \mu\text{m}$  [ $.000050$ ] MIN NICKEL PER QQ-N-290.
- 9.  $0.38 \mu\text{m}$  [ $.000015$ ] MIN GOLD PER MIL-G-45204 ON MATING END FOR A LENGTH OF  $5.08$  [ $.200$ ] MIN,  $1.27$  MIL-T-10727 FOR A LENGTH OF  $5.69$  [ $.224$ ] MIN ON OPPOSITE END, BOTH OVER  $1.27 \mu\text{m}$  [ $.000050$ ] MIN NICKEL PER QQ-N-290 ON ENTIRE CONTACT.
- 10.  $1.27 \mu\text{m}$  [ $.000050$ ] MIN TIN PER MIL-T-10727 OVER  $1.27 \mu\text{m}$  [ $.000050$ ] MIN NICKEL PER QQ-N-290.

	2	10	-	1-66425-2
OBSOLETE	2	9	66429-6	1-66425-1
	2	1	66429-4	66425-8
	2	5	66429-3	66425-7
OBSOLETE	2	8	-	66425-6
OBSOLETE	2	4	66429-1	66425-5
	STANDARD	1	66429-4	66425-4
	STANDARD	5	66429-3	66425-3
OBSOLETE	STANDARD	4	66429-1	66425-1
	REELING	PIN BODY FINISH	LOOSE PIECE REF	PART NO.

THIS DRAWING IS A CONTROLLED DOCUMENT.		DWN V. FURLER 28JUL03	TE Connectivity PIN ASSEMBLY, .062, TYPE III+	
DIMENSIONS: mm [INCHES]		CHK G. STEINHAUER 28JUL03		
TOLERANCES UNLESS OTHERWISE SPECIFIED:		APVD G. STEINHAUER 28JUL03	NAME	
0 PLC ± -		PRODUCT SPEC	SIZE CAGE CODE DRAWING NO RESTRICTED TO	
1 PLC ± -		APPLICATION SPEC	A2 00779 C=66425	
2 PLC ± 0.13 [.005]		WEIGHT -	SCALE 8:1 SHEET 1 of 1 REV V	
3 PLC ± -		CUSTOMER DRAWING		
4 PLC ± -				
ANGLES ± -				
FINISH				
SEE CALLOUTS		SEE TABLE		

## X-ON Electronics

Largest Supplier of Electrical and Electronic Components

*Click to view similar products for [Standard Circular Contacts](#) category:*

*Click to view products by [TE Connectivity](#) manufacturer:*

Other Similar products are found below :

[RC16M23J](#) [133780-1](#) [RM20M13D28](#) [RM24M9D28](#) [RMMX110-1D28](#) [ELFH02211](#) [ELVP16100E](#) [164-901-CD](#) [BACS16X1A](#)  
[EN3545007SCE](#) [BV002BSQ20049CZ](#) [BV002SSQ160404CZ](#) [1900ND05S1B00B](#) [SJS862201](#) [166566-1](#) [1900ND04S1X00D](#) [ST-JL05-16S-](#)  
[C3-100](#) [ST-JL05-20S-C1-100](#) [ST-JL05-20S-C2-100](#) [T01-CRIMP-S03](#) [APK-SA16A07-002](#) [27963-15T12](#) [CONT-JL05-08S-C2-10](#) [CONT-](#)  
[JL05-12S-C1-10](#) [RC16M-23T](#) [RFD26L-1D28](#) [BV002ASJ16049CW](#) [33505815019](#) [JN1-22-20S-R-PKG100](#) [031-50213](#) [031-50794](#)  
[ELFH08251](#) [ELFP0641GE](#) [SJS861301M](#) [ST-JL05-16S-C1-100](#) [ST-JL05-20P-C1-100](#) [82911466K](#) [82911467NK](#) [ESLM03200](#) [192991-0087](#)  
[192900-0570](#) [ELFH07251](#) [M12883/40-07S](#) [BACS16X3A](#) [T3P16FC3LZ](#) [ST-JL05-16S-C2-3500](#) [ZP-4016-10NF](#) [CONT-JL05-12P-C1-10](#)  
[RM20M12G8D28](#) [031-50676](#)