

4

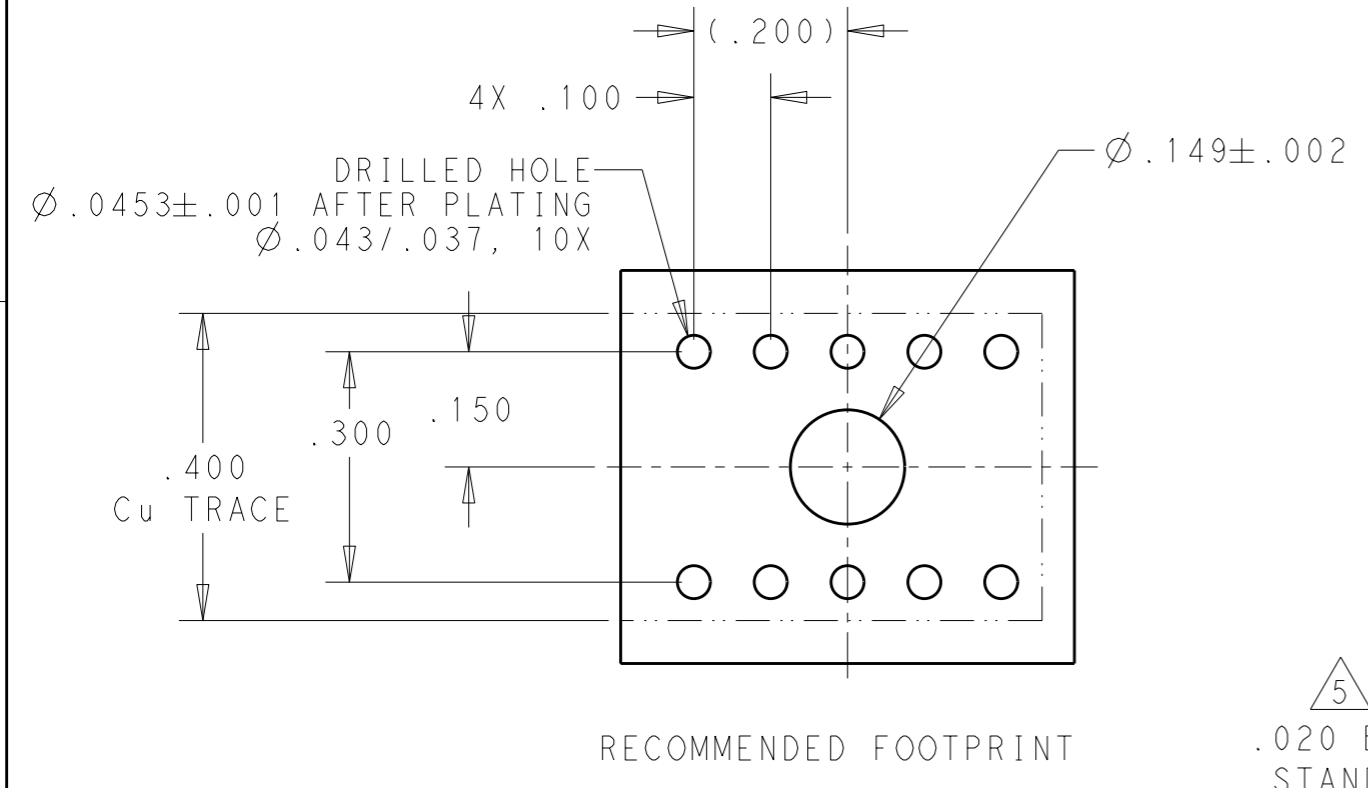
3

2

1

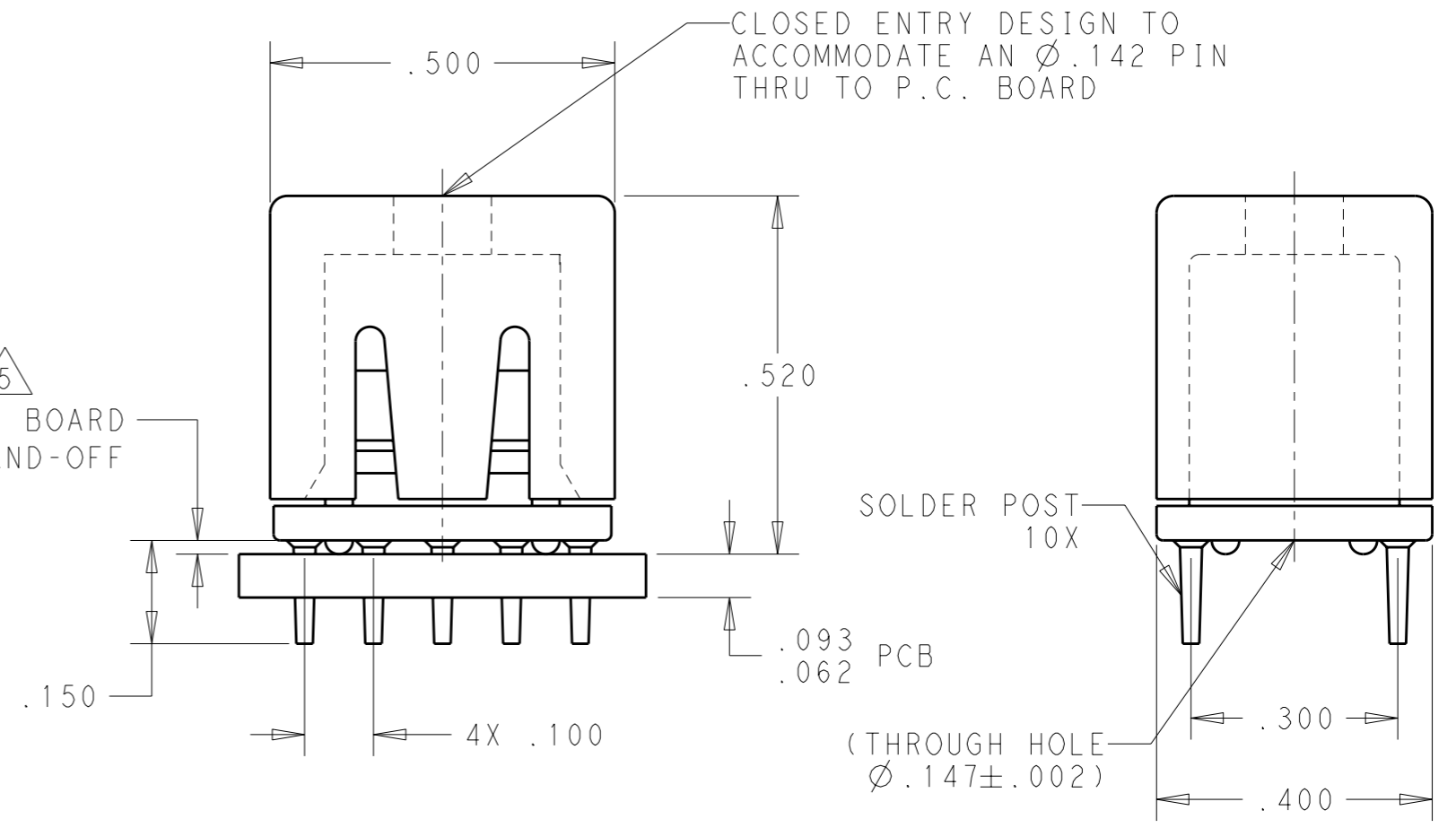
THIS DRAWING IS UNPUBLISHED. RELEASED FOR PUBLICATION 20  
 © COPYRIGHT 20 TE ALL RIGHTS RESERVED.

LOC	DIST	REVISIONS				
P	LTR	DESCRIPTION	DATE	DWN	APVD	
GP	00	B	REV PER ECO-11-007678	19MAY2011	RG DO	



RECOMMENDED FOOTPRINT


$\triangle 5$   
 .020 BOARD  
 STAND-OFF



- PART NUMBER CHANGES AND/OR DESIGN CHANGES AFFECTING ITEM INTERCHANGEABILITY REQUIRE PRIOR TE APPROVAL AND AUTHORIZATION BY REVISION TO THIS DRAWING.
- ITEMS PROVIDED TO THIS SPECIFICATION SHALL BE IDENTIFIED ON CONTAINER WITH THE FOLLOWING INFORMATION, PART NUMBER AND DATE CODE OF MANUFACTURE.
- MATERIAL:  
 INSULATOR - POLYESTER, GLASS FILLED, UL94 V-O RATED, COLOR: BLACK  
 MODULE - METAL CASTING  
 CROWN - BeCu
- FINISH:  
 INSERT - SILVER PLATED .000200 MIN THK. OVER NICKEL .000040 MIN THK.  
 CROWN - GOLD PLATED .000030 MIN THK. OVER NICKEL .000040 MIN THK.

$\triangle 5$  A FIVE POUND (5lb) FORCES REQUIRED TO CORRECTLY SEAT THE CONNECTOR WITH PLATED THRU HOLES LESS THEN  $\phi .040$ .

6643264-1  
 PART NUMBER

THIS DRAWING IS A CONTROLLED DOCUMENT.		DWN 19MAY2011 LOVATO/GRZYBOWSKI	 TE Connectivity													
DIMENSIONS: INCHES		CHK -														
TOLERANCES UNLESS OTHERWISE SPECIFIED:		APVD 19MAY2011 CHAU/ORRIS	NAME ICCON SOCKET, PERPNDICULAR 10 PIN FOOTPRINT SOLDER THRU HOLE													
<table border="1"> <tr><td>0 PLC</td><td>±-</td></tr> <tr><td>1 PLC</td><td>±-</td></tr> <tr><td>2 PLC</td><td>±-</td></tr> <tr><td>3 PLC</td><td>±.020</td></tr> <tr><td>4 PLC</td><td>±-</td></tr> <tr><td>ANGLES</td><td>±.5</td></tr> </table>		0 PLC	±-	1 PLC	±-	2 PLC	±-	3 PLC	±.020	4 PLC	±-	ANGLES	±.5	PRODUCT SPEC -	SIZE A3	
0 PLC	±-															
1 PLC	±-															
2 PLC	±-															
3 PLC	±.020															
4 PLC	±-															
ANGLES	±.5															
MATERIAL -		APPLICATION SPEC -	CAGE CODE 00779	DRAWING NO C-6643264												
FINISH -		WEIGHT -	RESTRICTED TO -													
CUSTOMER DRAWING			SCALE 4:1	SHEET 1 OF 1 REV B												

## X-ON Electronics

Largest Supplier of Electrical and Electronic Components

*Click to view similar products for [Power to the Board](#) category:*

*Click to view products by [TE Connectivity](#) manufacturer:*

Other Similar products are found below :

[6450171-4](#) [6450552-7](#) [6600323-8](#) [6643429-1](#) [6646040-2](#) [6651939-1](#) [6766604-1](#) [120959-1](#) [1393557-2](#) [1393532-2](#) [1393532-3](#) [1393532-4](#)  
[1393557-1](#) [1600812-5](#) [1-6450861-2](#) [1744132-7](#) [1761122-1](#) [1766250-1](#) [1892109-1](#) [2-6450860-5](#) [2-6450870-0](#) [1-6450161-4](#) [1-6450850-6](#) [1-](#)  
[6450869-6](#) [1645526-2](#) [1-6600130-0](#) [2005243-2](#) [377-0020-11130](#) [TE34-12-16P-F0](#) [51700-10201602AALF](#) [5-6450830-6](#) [5646956-4](#) [377-](#)  
[0080-11131A](#) [4-6450830-9](#) [4-6600333-3](#) [10125416-4050LF](#) [10130248-005LF](#) [6600320-3](#) [3-6450860-5](#) [1888123-2](#) [6450166-1](#) [6643978-1](#)  
[6766605-1](#) [701-15-02109](#) [N11444](#) [6651938-1](#) [6450810-7](#) [46437-1112](#) [1-1589677-8](#) [5646956-5](#)