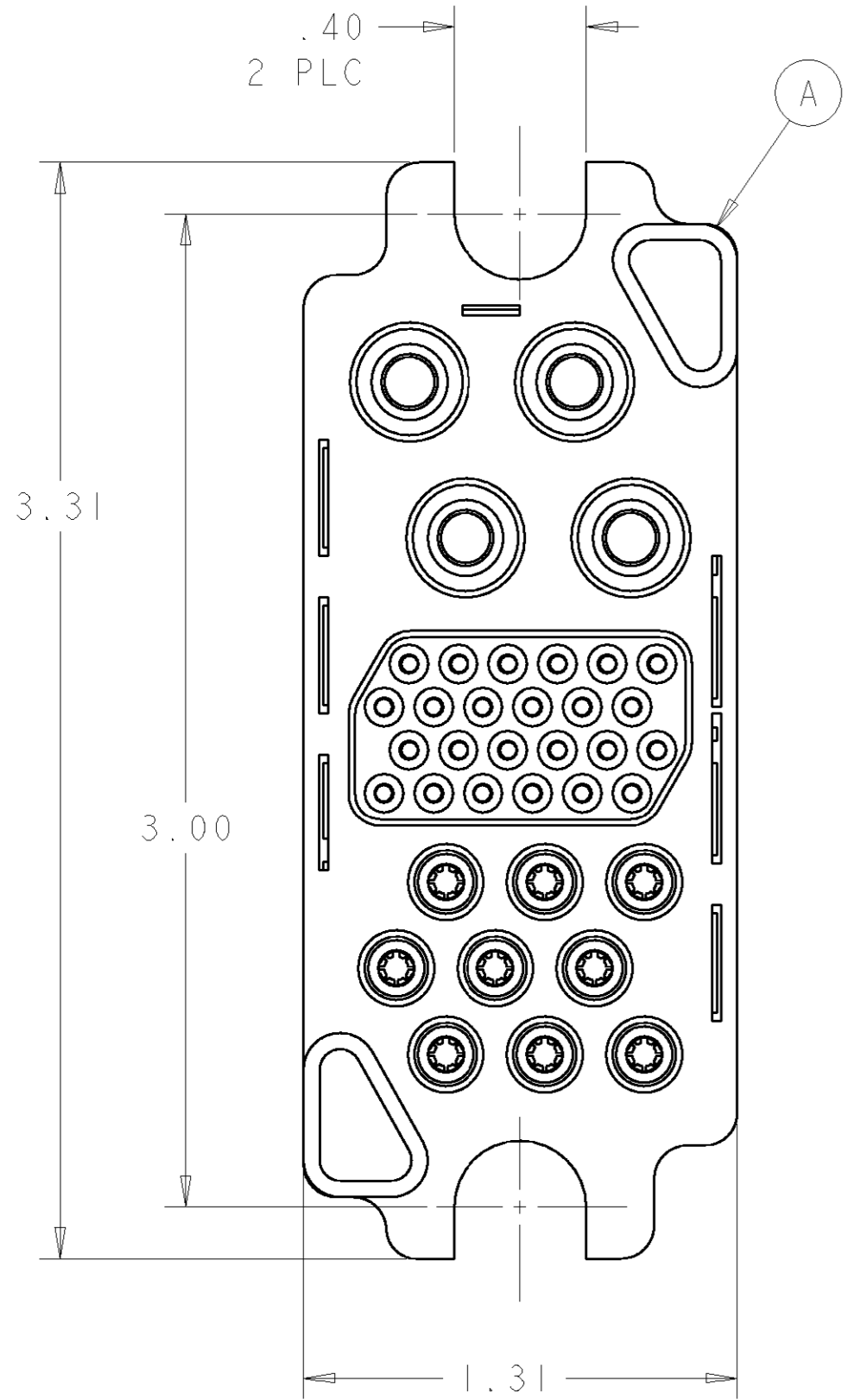
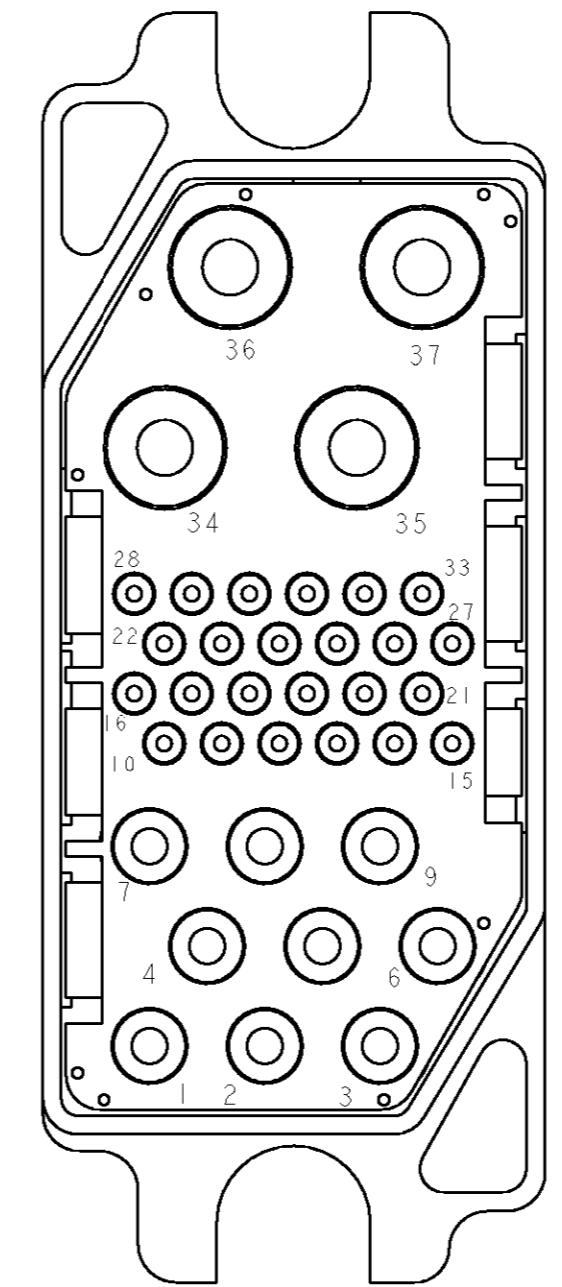
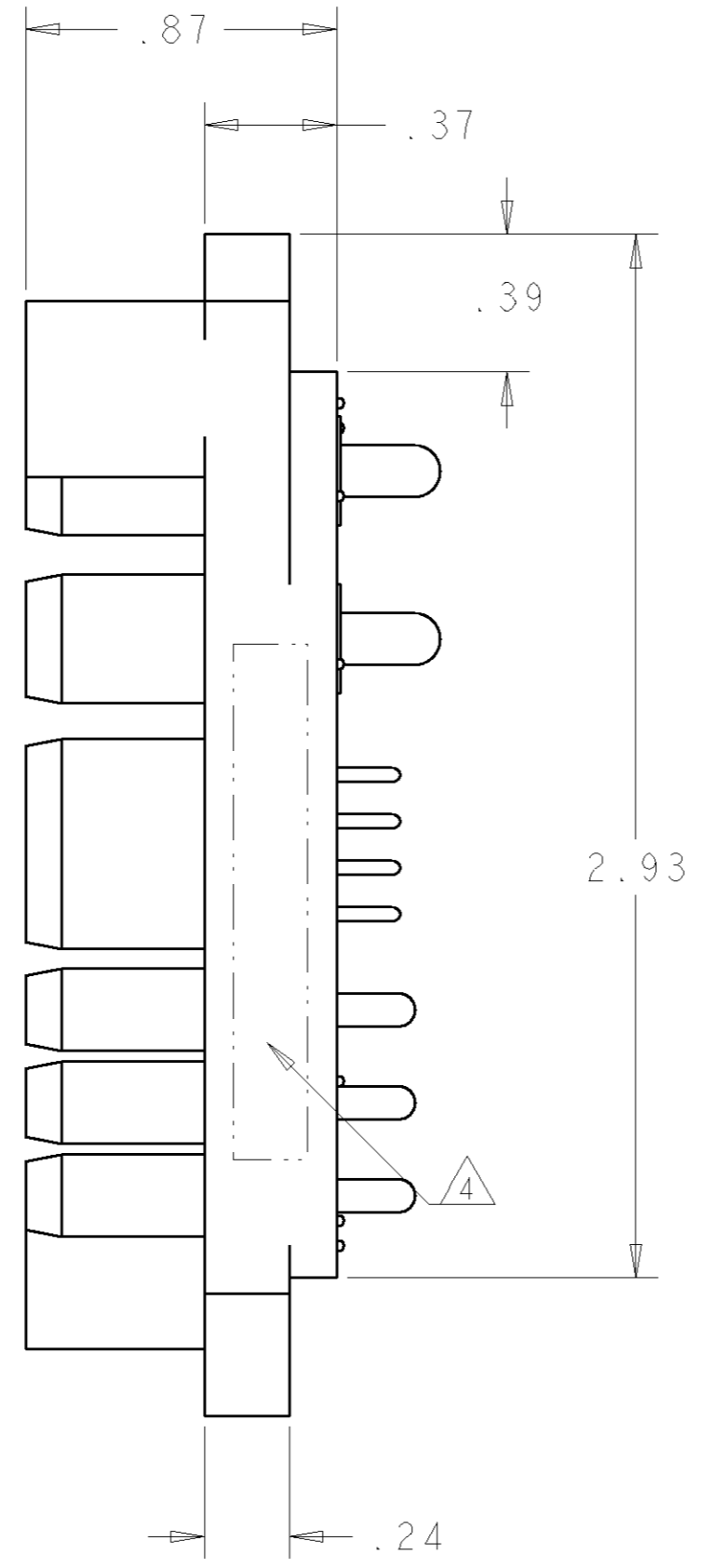


THIS DRAWING IS UNPUBLISHED. RELEASED FOR PUBLICATION 20  
 © COPYRIGHT 20 BY TYCO ELECTRONICS CORPORATION. ALL RIGHTS RESERVED.

LOC	DIST	REVISIONS					
GP	00	P	LTR	DESCRIPTION	DATE	DWN	APVD
		A		NEW RELEASE	20APR2007	RG	DO



FRONT VIEW



REAR VIEW

- SOCKET CONTACT, (B) SIZE #8
- SOCKET CONTACT, (C) SIZE #20
- SOCKET CONTACT, (D) SIZE #12

9	6648374-1	CONTACT, SOCKET, SIZE #12, PB TAIL	D
24	1648382-1	CONTACT, SOCKET, SIZE #20, PCB TAIL	C
4	6648400-1	CONTACT, SOCKET, SIZE #8, PCB TAIL	B
1	1648168-2	HOUSING, SOCKET, FIXED MOUNT	A
-1	PART NUMBER	DESCRIPTION	ITEM

**ELCON DRAWER**

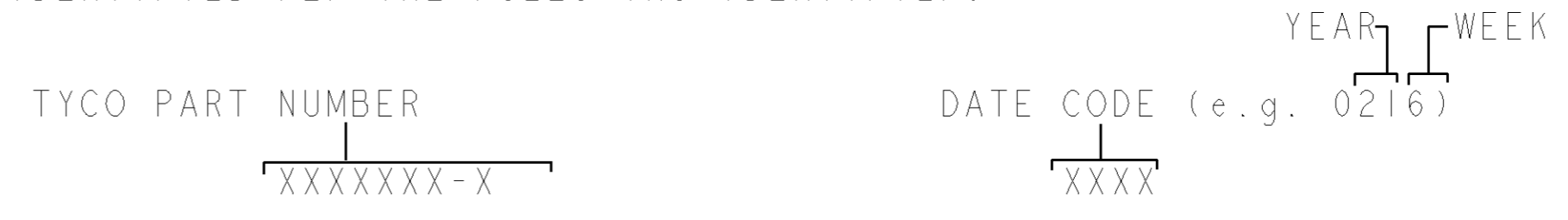
<small>THIS DRAWING IS A CONTROLLED DOCUMENT FOR TYCO ELECTRONICS CORPORATION. IT IS SUBJECT TO CHANGE AND THE CONTROLLING ENGINEERING ORGANIZATION SHOULD BE CONTACTED FOR THE LATEST REVISION.</small>		DWN R. GRZYBOWSKI 20APR07 CHK D. ORRIS 20APR07 APVD D. ORRIS 20APR07	<b>tyco</b> Tyco Electronics <b>Electronics</b> Harrisburg, PA 17105-3608
DIMENSIONS: INCHES 		TOLERANCES UNLESS OTHERWISE SPECIFIED: 0 PLC ± 1 PLC ± 2 PLC ±.02 3 PLC ±.010 4 PLC ±0.0005 ANGLES ±.5	NAME: CONNECTOR, SOCKET 75 AMP MIDDLE DRAWER PRODUCT SPEC: - APPLICATION SPEC: - WEIGHT: -
MATERIAL: - FINISH: -		SCALE: 4:1 SHEET 1 OF 2 REV A	SIZE: A2 CAGE CODE: 00779 DRAWING NO: 6643325 RESTRICTED TO: -

THIS DRAWING IS UNPUBLISHED. RELEASED FOR PUBLICATION 20  
 © COPYRIGHT 20 BY TYCO ELECTRONICS CORPORATION. ALL RIGHTS RESERVED.

LOC	DIST	REVISIONS					
		P	LTR	DESCRIPTION	DATE	DWN	APVD
GP	00			SEE SHEET 1	-	-	-

- 1. PART NUMBER CHANGES AND OR DESIGN CHANGES AFFECTING THE INTERCHANGEABILITY REQUIRE PRIOR TYCO APPROVAL AND AUTHORIZATION BY REVISION TO THIS DRAWING.
- 2. MATERIAL:  
 INSULATOR: THERMOPLASTIC, GLASS REINFORCED, UL 94V-0  
 FLAMMABILITY RATED, COLOR: BLACK  
 CONTACT: BRASS ROD ALLOY  
 CROWN BAND: BERYLLIUM COPPER  
 RETENTION CLIP: BERYLLIUM COPPER
- 3. FINISH:  
 CONTACT BODY SIZE #8 : SILVER .000200 MIN. THK. OVER NICKEL .000040 MIN THK.  
 CONTACT BODY SIZE #12 : SILVER .000200 MIN. THK. OVER NICKEL .000040 MIN THK.  
 CONTACT BODY SIZE #20 : GOLD .000010 MIN. THK. OVER NICKEL .000040 MIN THK.  
 CROWN BAND: GOLD .000030 MIN. THK. OVER NICKEL .000040 MIN THK.

4. ITEMS PROVIDED TO THIS SPECIFICATION TO BE PERMANENTLY IDENTIFIED PER THE FOLLOWING IDENTIFIER:



5. SOCKET CONTACTS ARE INSERTABLE/ NONREMOVABLE. THEY WILL BE INSTALLED IN THE CONNECTOR ASSY.

**ELCON DRAWER**

<small>THIS DRAWING IS A CONTROLLED DOCUMENT FOR TYCO ELECTRONICS CORPORATION. IT IS SUBJECT TO CHANGE AND THE CONTROLLING ENGINEERING ORGANIZATION SHOULD BE CONTACTED FOR THE LATEST REVISION.</small>		DWN: R. GRZYBOWSKI 20APR07 CHK: D. ORRIS 20APR07 APVD: D. ORRIS 20APR07	<b>tyco</b> Tyco Electronics Harrisburg, PA 17105-3608
DIMENSIONS: INCHES 	TOLERANCES UNLESS OTHERWISE SPECIFIED: 0 PLC ± 1 PLC ± 2 PLC ±.02 3 PLC ±.010 4 PLC ±0.0005 ANGLES ±.5	PRODUCT SPEC: - APPLICATION SPEC: - WEIGHT: -	NAME: CONNECTOR, SOCKET 75 AMP MIDDLE DRAWER
MATERIAL: -	FINISH: -	CUSTOMER DRAWING	SIZE: A2 CAGE CODE: 00779 DRAWING NO: 6643325 RESTRICTED TO: - SCALE: 4:1 SHEET 2 OF 2 REV A

## X-ON Electronics

Largest Supplier of Electrical and Electronic Components

*Click to view similar products for [Jones Plugs & Sockets](#) category:*

*Click to view products by [TE Connectivity](#) manufacturer:*

Other Similar products are found below :

[750-1103](#) [HDRA-E68LFD-7C](#) [MR-8LK2+](#) [S-2408-CCE](#) [302R](#) [30-9733](#) [30-9798](#) [38330-0203](#) [38330-1908](#) [38330-2604](#) [38330-2610](#) [38330-4015](#) [38330-5704](#) [38330-6418](#) [38331-0804](#) [38331-1406](#) [38331-1410](#) [38331-3908](#) [38331-8206](#) [38335-5104](#) [38339-0100](#) [38339-0374](#) [38540-0405](#) [38540-0613](#) [38540-1505](#) [38540-1909](#) [38540-1913](#) [38540-4209](#) [38540-6412](#) [38540-9405](#) [38541-0008](#) [38541-0009](#) [38541-1212](#) [38541-3008](#) [38541-5510](#) [38542-0806](#) [38542-1006](#) [38549-0213](#) [38549-0751](#) [312R](#) [333R](#) [38330-1512](#) [38330-1518](#) [38330-1903](#) [38330-8503](#) [38331-0808](#) [38331-1415](#) [38331-1421](#) [38331-3803](#) [38331-3806](#)