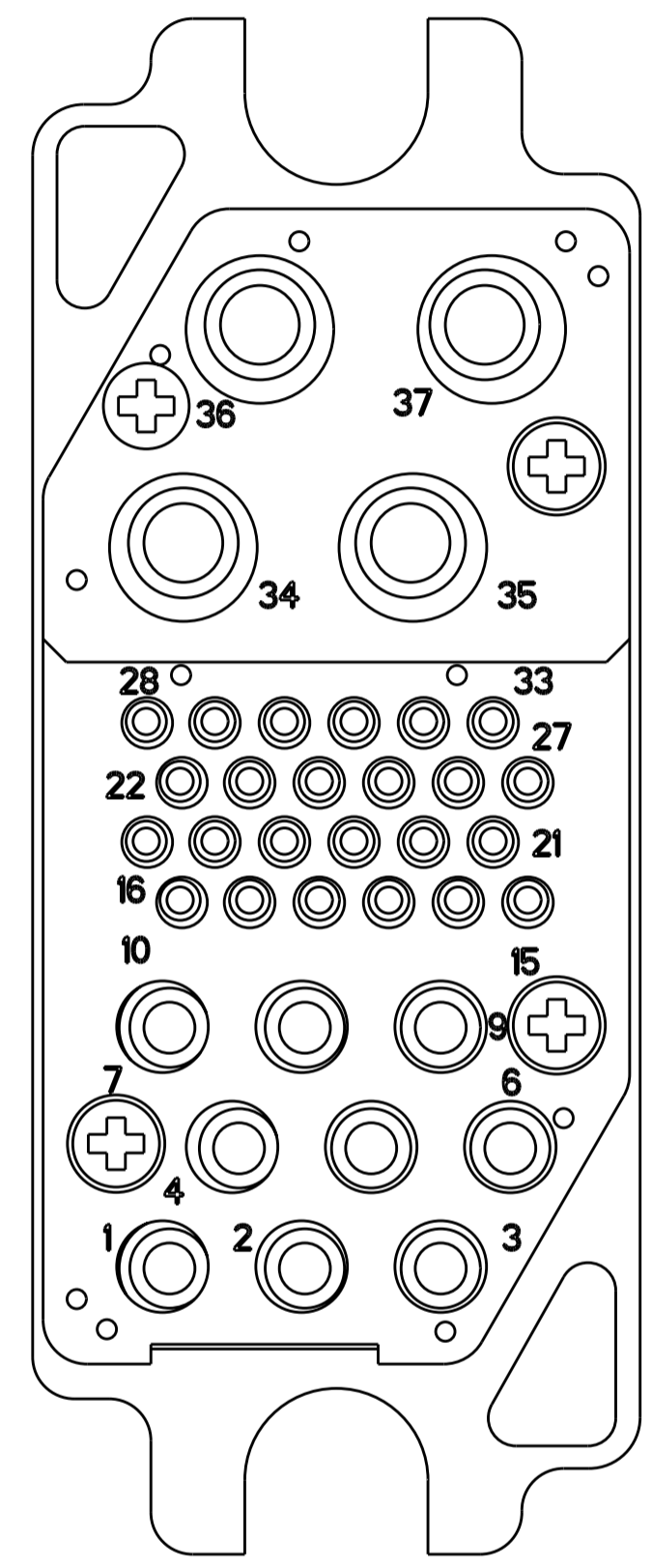
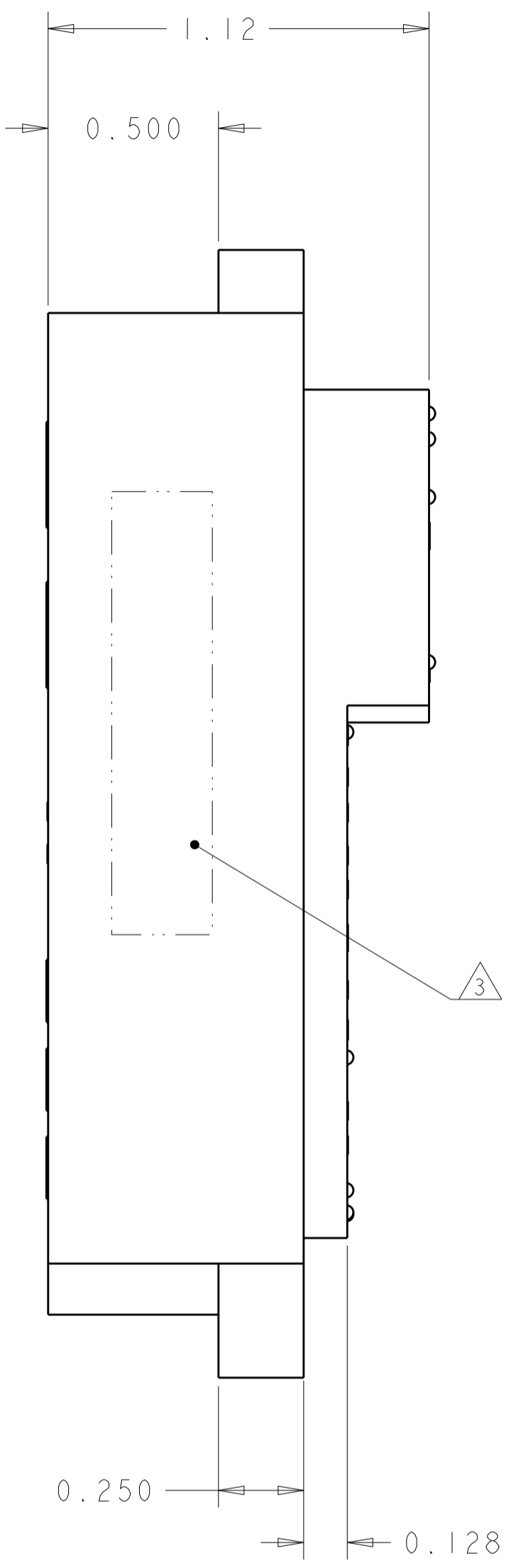
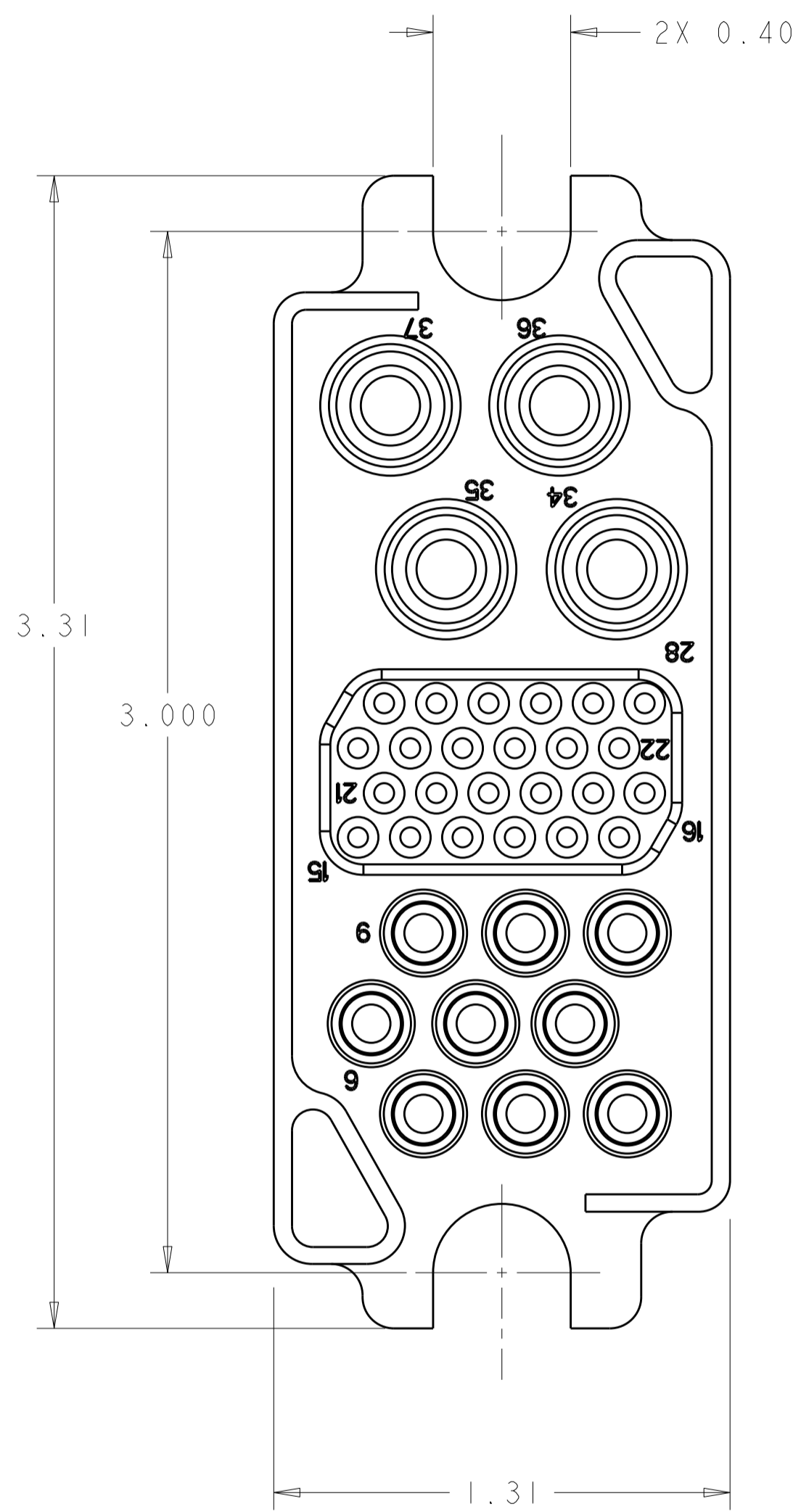


THIS DRAWING IS UNPUBLISHED. RELEASED FOR PUBLICATION 20
 © COPYRIGHT 20 TE ALL RIGHTS RESERVED.

LOC		DIST		REVISIONS			
P	LTR	DESCRIPTION	DATE	DWN	APVD		
GP	00	A	NEW RELEASE	25JAN2012	RG	DO	



REAR VIEW

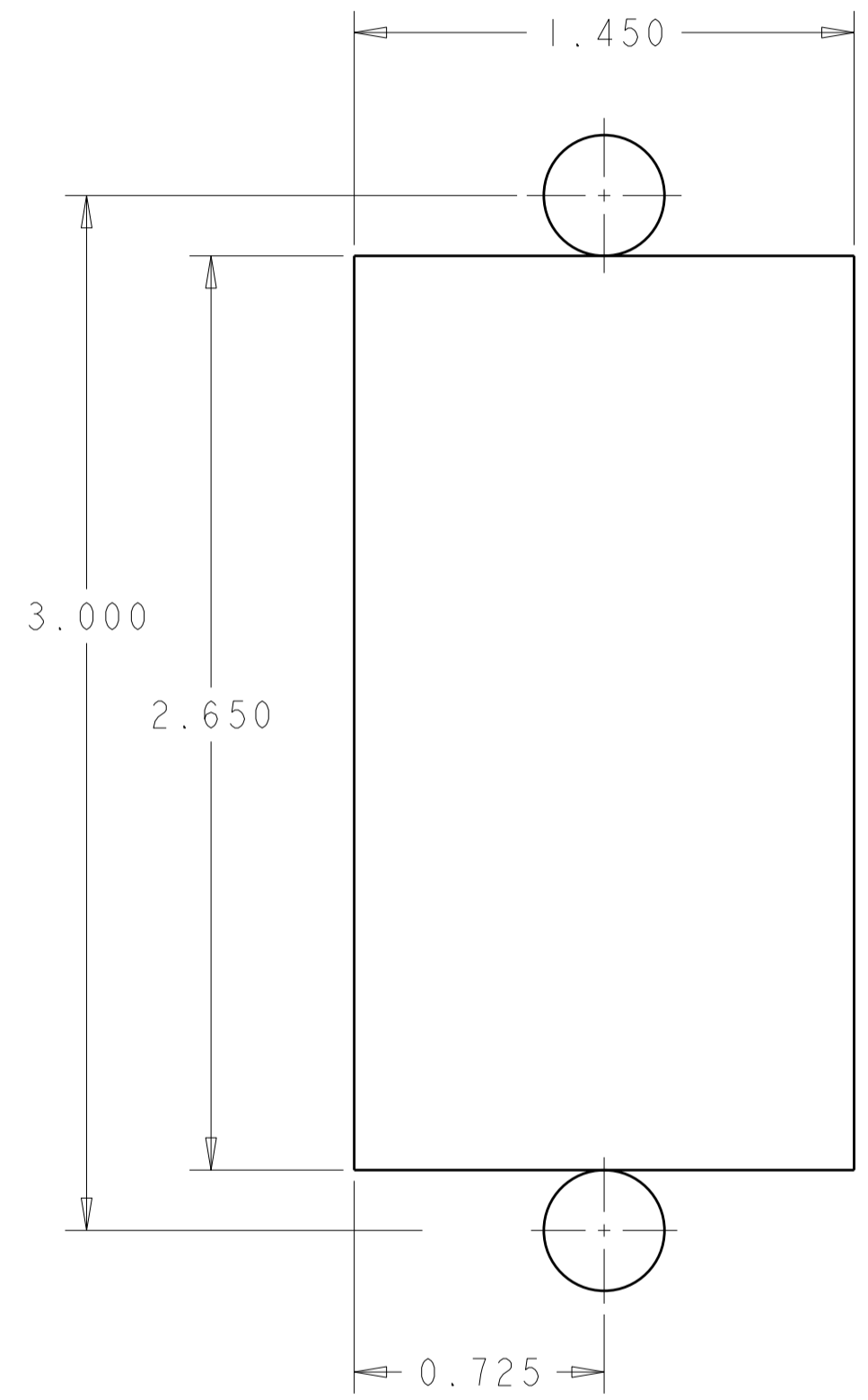
- SOCKET CONTACT (B) SIZE #8
- SOCKET CONTACT SIZE #20
- SOCKET CONTACT (D) SIZE #12

AS SHOWN	6643411-1
DESCRIPTION	PART NUMBER

THIS DRAWING IS A CONTROLLED DOCUMENT.		DWN R. GRZYBOWSKI 25 JAN 2012	TE Connectivity	
DIMENSIONS: INCHES		CHK D. ORRIS 25 JAN 2012		
TOLERANCES UNLESS OTHERWISE SPECIFIED:		APVD D. ORRIS 25 JAN 2012	NAME CONNECTOR ASSEMBLY SOCKET 75 AMP, MIDDLE DRAWER	
0 PLC ± 1 PLC ± 2 PLC ±.02 3 PLC ±.010 4 PLC ± ANGLES ±.5 FINISH		PRODUCT SPEC 108-2285	SIZE A200779	
MATERIAL		APPLICATION SPEC 114-13206	DRAWING NO C-6643411	
1 - 2 -		WEIGHT -	RESTRICTED TO -	
CUSTOMER DRAWING		SCALE 3:1	SHEET 1 OF 2 REV A	

THIS DRAWING IS UNPUBLISHED. RELEASED FOR PUBLICATION 20
 © COPYRIGHT 20 TE ALL RIGHTS RESERVED.

LOC	DIST	REVISIONS			
P	LTR	DESCRIPTION	DATE	DWN	APVD
GP	00	-	SEE SHEET 1	-	-



SUGGESTED PANEL CUTOUT
 VIEW FROM CONNECTOR MOUNTING SIDE

- 1 MATERIAL:
 INSULATOR: THERMOPLASTIC, GLASS REINFORCED,
 FLAMMABILITY RATED, COLOR: BLACK
 SOCKET CONTACT: COPPER ALLOY
 RETENTION CLIP: COPPER ALLOY OR STAINLESS STEEL
- 2 FINISH:
 CONTACT BODY SIZE #8 & 12 - SILVER PLATE .000200 MIN. THK.
 OVER NICKEL .000050 MIN. THK.
 CROWN BANDS - GOLD PLATE .000030 MIN THK. OVER
 NICKEL .000050 MIN THK.
- 3 ITEMS PROVIDED TO THIS SPECIFICATION TO BE PERMANENTLY
 IDENTIFIED PER THE FOLLOWING IDENTIFIER:

 PART NUMBER AND MANUFACTURING DATE CODE
- 4 CRIMP CONTACTS (ITEMS B & C) SHALL BE PACKAGED
 SEPARATELY AND PLACED IN THE BOX WITH THE
 CONNECTOR ASSEMBLY.

6	6648318-1	CONTACT, SOCKET, #12, CRIMP	C
3	6648317-1	CONTACT, SOCKET, #8, CRIMP	B
1	6648167-2	CONNECTOR, SOCKET	A
-1	PART NUMBER	DESCRIPTION	ITEM

THIS DRAWING IS A CONTROLLED DOCUMENT.		DWN R. GRZYBOWSKI 25 JAN 2012	STE TE Connectivity	
DIMENSIONS: INCHES		CHK D. ORRIS 25 JAN 2012		
TOLERANCES UNLESS OTHERWISE SPECIFIED:		APVD D. ORRIS 25 JAN 2012	NAME CONNECTOR ASSEMBLY SOCKET 75 AMP, MIDDLE DRAWER	
0 PLC ± 1 PLC ± 2 PLC ±.02 3 PLC ±.010 4 PLC ± ANGLES ±.5 FINISH		PRODUCT SPEC 108-2285	SIZE A200779	CAGE CODE C-6643411
MATERIAL		APPLICATION SPEC 114-13206	DRAWING NO	RESTRICTED TO
-		WEIGHT -	SCALE 3:1	SHEET 2 OF 2
-		CUSTOMER DRAWING	REV A	

X-ON Electronics

Largest Supplier of Electrical and Electronic Components

Click to view similar products for [Heavy Duty Power Connectors](#) category:

Click to view products by [TE Connectivity](#) manufacturer:

Other Similar products are found below :

[1424439](#) [1424438](#) [09330062652](#) [2-8675P1](#) [580129-2](#) [605601-1](#) [6340G1](#) [6341G1](#) [6360G1](#) [6373G1](#) [6374g2](#) [6396G1](#) [647757-1](#) [66394-4](#)
[6643411-1](#) [6646058-2](#) [6646137-1](#) [6646138-1](#) [6646348-1](#) [6646479-1](#) [6646608-1](#) [6646786-1](#) [6646940-1](#) [6651091-1](#) [6651525-1](#) [6651529-1](#)
[6651778-1](#) [6651788-1](#) [696465-1](#) [696475-1](#) [73000005059](#) [73000005349](#) [73000005642](#) [73080255059](#) [73080965046](#) [765-15-0080A](#)
[765-16-0080B](#) [789.700-44](#) [789.700-54](#) [80-1010](#) [80-9](#) [827381-1](#) [829992-1](#) [902-77-02113](#) [PL00U-301-10D10](#) [PM103MOOLOO](#)
[PM16S1620S32-50](#) [PM212MOOLOO](#) [PM309FOOLOO](#) [PM324FOOLCH](#)