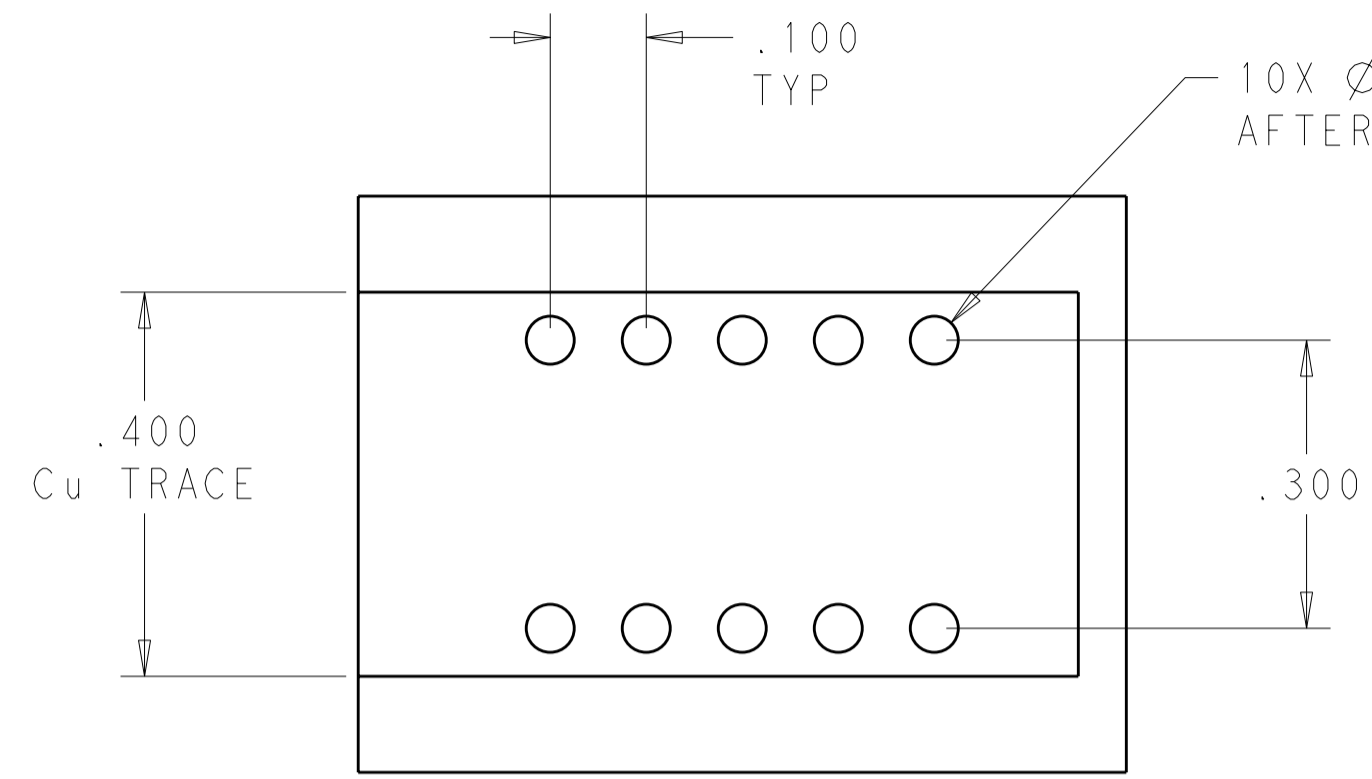


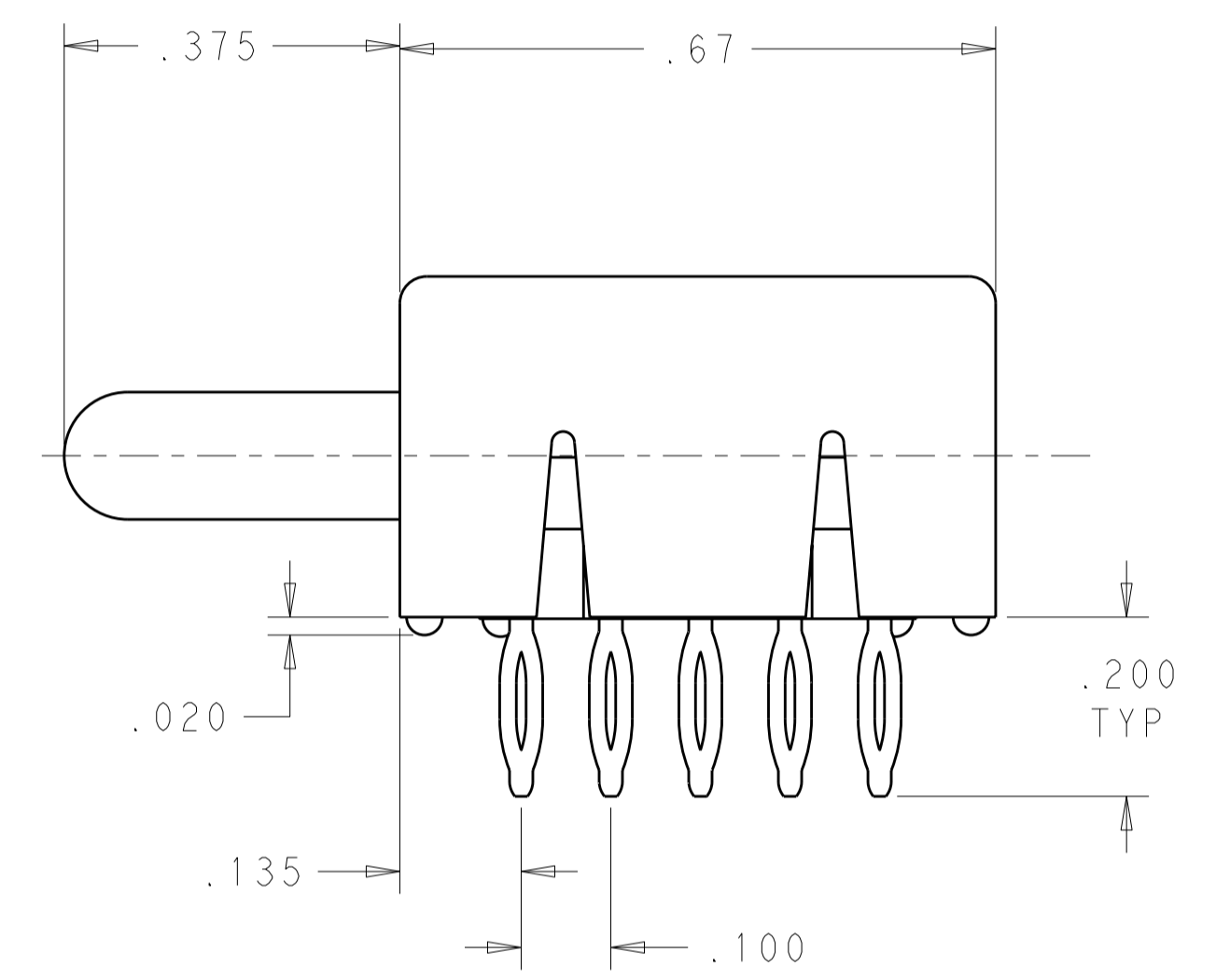
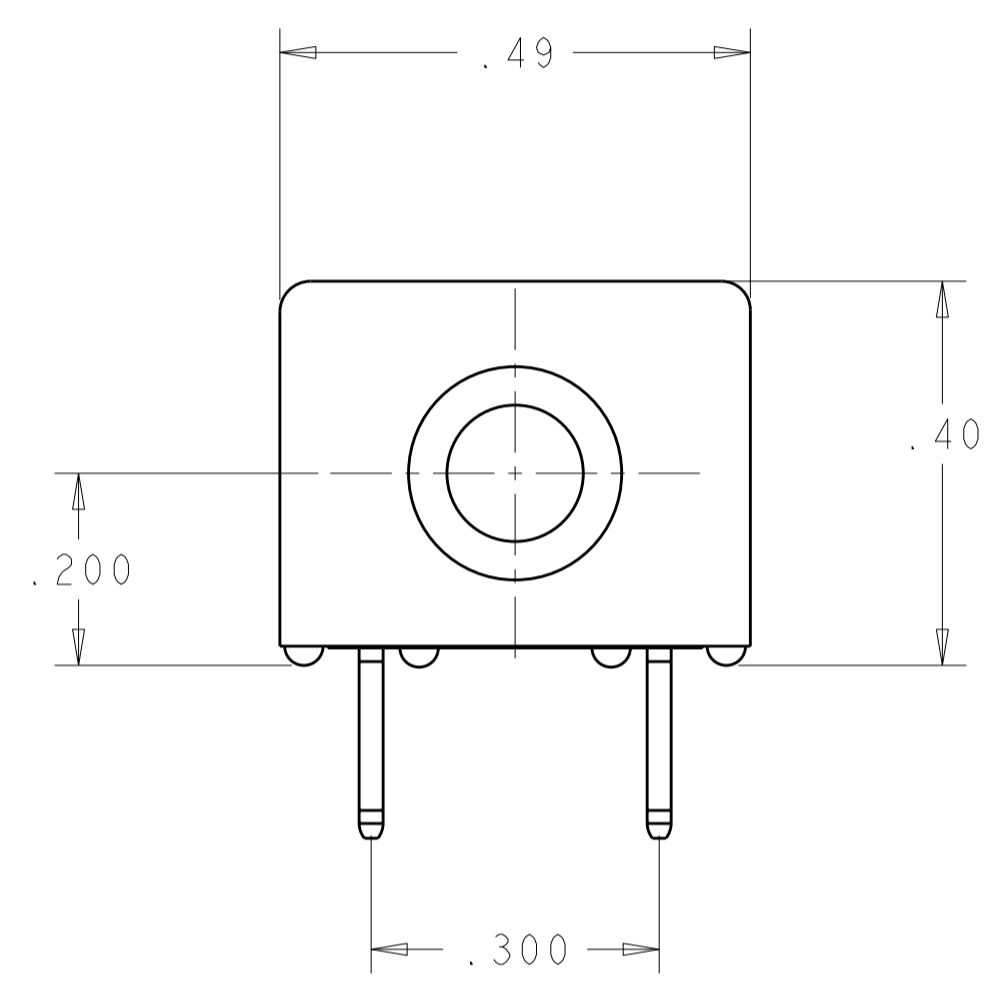
THIS DRAWING IS UNPUBLISHED. RELEASED FOR PUBLICATION 20
 © COPYRIGHT 20 BY TYCO ELECTRONICS CORPORATION. ALL INTERNATIONAL RIGHTS RESERVED.

LOC	DIST	REVISIONS			
P	LTR	DESCRIPTION	DATE	DWN	APVD
GP	00	A	RELEASED	29OCT2009	RG DO



RECOMMENDED FOOTPRINT

10X $\phi .0453 \pm .001$ (DRILLED HOLE AFTER PLATING $\phi .043 / .037$)



1. ITEMS PROVIDED TO THIS SPECIFICATION SHALL BE IDENTIFIED ON THE CONTAINER WITH THE FOLLOWING INFORMATION:
 PART NUMBER AND DATE CODE OF MANUFACTURING

2 MATERIAL:
 INSULATOR - POLYESTER, GLASS FILLED, COLOR BLACK
 SOCKET BODY - ZINC METAL CASTING
 CROWN BAND - COPPER ALLOY
 PIN CONTACT - BRASS ALLOY
 SOLDER TAIL - PHOSPHOR BRONZE

3 FINISH:
 CROWN BAND - GOLD PLATE .000030 MIN THK.
 OVER NICKEL .000050 MIN THK.
 COMPLIANT TAIL - SILVER PLATE .000200 MIN THK.
 OVER NICKEL .000050 MIN THK.
 SOCKET BODY - SILVER PLATE .000200 MIN THK.
 OVER NICKEL .000050 MIN THK.
 PIN CONTACT - SILVER PLATE .000200 MIN THK.
 OVER NICKEL .000050 MIN THK.

AS SHOWN	6643429-1
DESCRIPTION	PART NO.

THIS DRAWING IS A CONTROLLED DOCUMENT FOR TYCO ELECTRONICS CORPORATION. IT IS SUBJECT TO CHANGE AND THE CONTROLLING ENGINEERING ORGANIZATION SHOULD BE CONTACTED FOR THE LATEST REVISION.		DWN R. GRZYBOWSKI 29OCT2009	Tyco Electronics Harrisburg, PA 17105-3608	
DIMENSIONS: INCHES		CHK D. ORRIS 29OCT2009	NAME PIN, PARALLEL COMPLIANT TAIL, NON-LOCKING STYLE ICCON	
TOLERANCES UNLESS OTHERWISE SPECIFIED: 0 PLC ± 1 PLC ±.02 2 PLC ±.010 3 PLC ± 4 PLC ± ANGLES ± FINISH		APVD M. PERCHERKE 29OCT2009	PRODUCT SPEC -	RESTRICTED TO -
MATERIAL 2 -		APPLICATION SPEC -	WEIGHT -	SIZE A200779
CUSTOMER DRAWING		SCALE 5:1	DRAWING NO. 6643429	SHEET 1 OF 1

X-ON Electronics

Largest Supplier of Electrical and Electronic Components

Click to view similar products for [Power to the Board](#) category:

Click to view products by [TE Connectivity](#) manufacturer:

Other Similar products are found below :

[10131318-08512GRLF](#) [6450171-4](#) [6450552-7](#) [6600323-8](#) [6643429-1](#) [6646040-2](#) [6651939-1](#) [6766604-1](#) [120959-1](#) [1393557-2](#) [1393532-2](#)
[1393532-3](#) [1393532-4](#) [1393557-1](#) [1600812-5](#) [1-6450861-2](#) [1645595-1](#) [1743490-1](#) [1744132-7](#) [1761122-1](#) [1766169-1](#) [1766250-1](#) [18362](#)
[1892109-1](#) [1-967627-6](#) [2226808-1](#) [2-6450860-5](#) [2-6450860-6](#) [2-6450870-0](#) [93003-0502](#) [953552-1](#) [1-6450161-4](#) [1-6450850-6](#) [1645526-2](#) [1-](#)
[6600130-0](#) [1743419-1](#) [1766150-1](#) [2005243-2](#) [211110-1](#) [2-6600130-2](#) [TE34-12-16P-F0](#) [51700-10201602AALF](#) [5-6450830-6](#) [5646956-4](#)
[36662-0005](#) [40585-3000](#) [4-6450830-9](#) [4-6600333-3](#) [51142-0214](#) [10125416-4050LF](#)