

LOC	DIST	REVISIONS			
GP	00	REV	DATE	BY	APPD
		A	11APR2007	RG	DO
		B	06APR2009	RG	DO

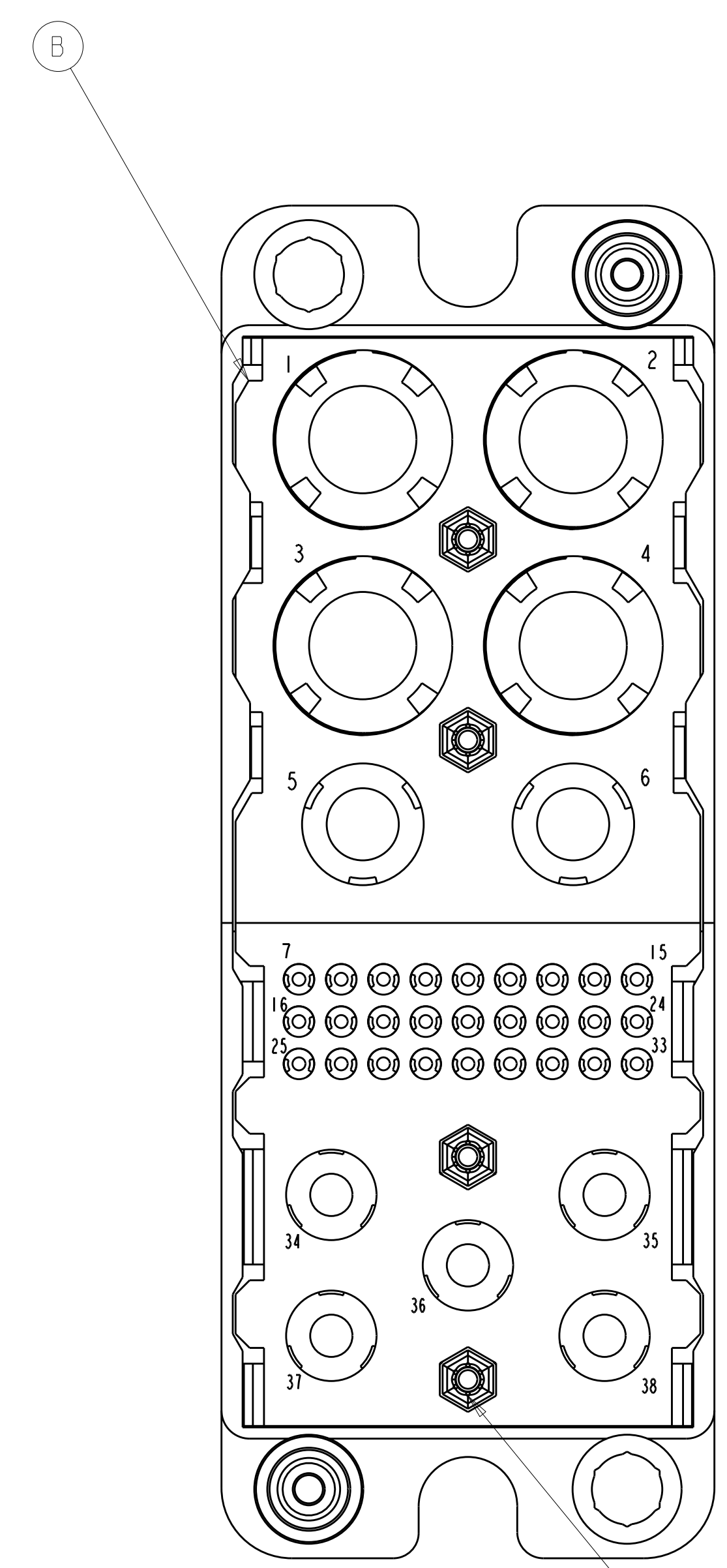
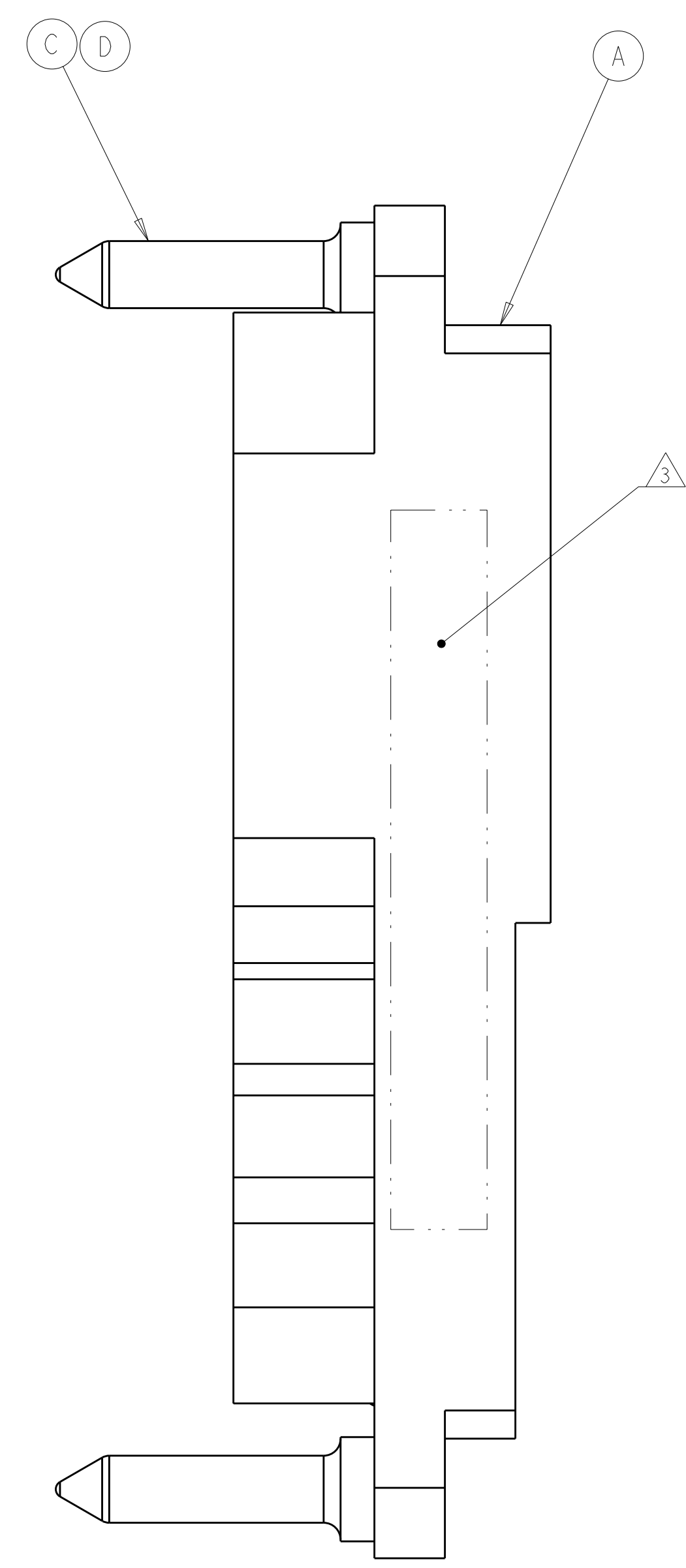
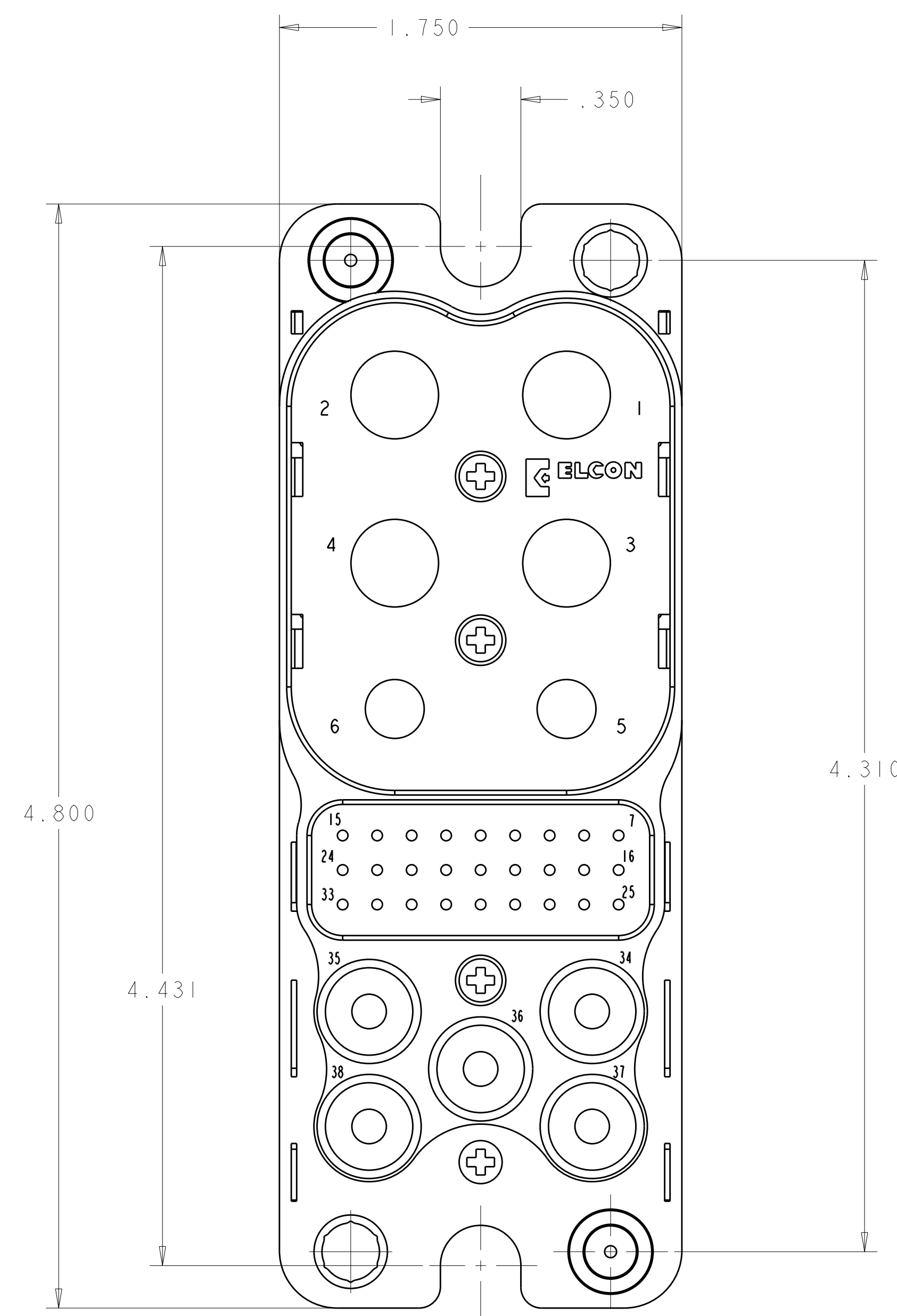
- PART NUMBER CHANGES AND OR DESIGN CHANGES AFFECTING THE INTERCHANGEABILITY REQUIRE PRIOR TYCO APPROVAL AND AUTHORIZATION BY REVISION TO THIS DRAWING.
- MATERIAL:
 INSULATOR: THERMOPLASTIC, GLASS REINFORCED,
 FLAMMABILITY RATED, COLOR: BLACK
 GUIDE PIN: STAINLESS STEEL
 RETENTION CLIP: BERYLLIUM COPPER

△ ITEMS PROVIDED TO THIS SPECIFICATION TO BE PERMANENTLY IDENTIFIED PER THE FOLLOWING IDENTIFIER:

YEAR | WEEK

TYCO PART NUMBER: XXXXXXXX-X DATE CODE (e.g. 0216): XXXX

- GUIDE PINS, RETENTION CLIPS, SCREWS AND NUTS ARE INSTALLED. ITEMS ARE SHIPPED AS AN ASSEMBLED CONNECTOR.



- RETENTION CLIP (E) SIZE #0
- RETENTION CLIP (F) SIZE #4
- RETENTION CLIP (H) SIZE #20
- RETENTION CLIP (G) SIZE #8

A/R	7-1567152-0	THREAD SEALANT, LOCITTE 271	L
4	1766844-1	SCREW, PAN HD., M2.5 X 0.45 X 12 LG	K
4	1766843-1	NUT, HEX, M2.5 X 0.45	J
27	1650484-1	CLIP, RETENTION, SIZE #20	H
5	1650482-1	CLIP, RETENTION, SIZE #8	G
2	1650485-1	CLIP, RETENTION, SIZE #4	F
4	1650486-1	CLIP, RETENTION, SIZE #0	E
2	1650094-2	COLLAR, LOCKING, 3/8 DIA	D
2	1650558-1	GUIDE PIN, 1/4 DIA. W/6-32 INT. THD	C
1	1648677-1	HOUSING, REAR, PIN SIDE	B
1	1648676-1	HOUSING, FRONT, PIN SIDE	A
-1	PART NUMBER	DESCRIPTION	ITEM

DIMENSIONS: INCHES TOLERANCES UNLESS OTHERWISE SPECIFIED: 9 PLC ±.005 1 PLC ±.002 3 PLC ±.010 4 PLC ±.015 ANGLES ±.5° FINISH: -		DWN: R. GRZYBOWSKI 11APR2007 CHK: D. ORRIS 11APR2007 APVD: S. FLICKINGER 11APR2007 NAME: S. FLICKINGER PRODUCT SPEC: - APPLICATION SPEC: - WEIGHT: - CUSTOMER DRAWING: -		Tyco Electronics Harrisburg, PA 17105-3608 PIN CONNECTOR ASSY, W/ GUIDES TDI CUSTOM DRAWER SIZE: A 00779 C=6643691 SCALE: 2:1 SHEET 1 OF 1 REV B	
--	--	---	--	--	--

X-ON Electronics

Largest Supplier of Electrical and Electronic Components

Click to view similar products for [Heavy Duty Power Connectors](#) category:

Click to view products by [TE Connectivity](#) manufacturer:

Other Similar products are found below :

[1424439](#) [1424438](#) [09330062652](#) [2-8675P1](#) [580129-2](#) [605601-1](#) [6340G1](#) [6341G1](#) [6360G1](#) [6373G1](#) [6374g2](#) [6396G1](#) [647757-1](#) [66394-4](#)
[6643411-1](#) [6646058-2](#) [6646137-1](#) [6646138-1](#) [6646348-1](#) [6646479-1](#) [6646608-1](#) [6646786-1](#) [6646940-1](#) [6651091-1](#) [6651525-1](#) [6651529-1](#)
[6651778-1](#) [6651788-1](#) [696465-1](#) [696475-1](#) [73000005059](#) [73000005349](#) [73000005642](#) [73080255059](#) [73080965046](#) [765-15-0080A](#)
[765-16-0080B](#) [789.700-44](#) [789.700-54](#) [80-1010](#) [80-9](#) [827381-1](#) [829992-1](#) [902-77-02113](#) [PL00U-301-10D10](#) [PM103MOOLOO](#)
[PM16S1620S32-50](#) [PM212MOOLOO](#) [PM309FOOLOO](#) [PM324FOOLCH](#)