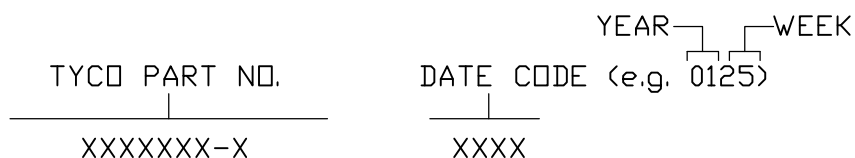


THIS DRAWING IS UNPUBLISHED. RELEASED FOR PUBLICATION
 © COPYRIGHT - BY TYCO ELECTRONICS CORPORATION. ALL RIGHTS RESERVED.

LOC	DIST	REVISIONS					
		P	LTR	DESCRIPTION	DATE	DWN	APVD
GP	00		A	RELEASED	08AUG06	RG	SF

6. FOR MATING CONNECTOR SEE PN 6643737-1.

5 ITEMS PROVIDED TO THIS SPECIFICATION TO BE PERMANENTLY IDENTIFIED PER THE FOLLOWING IDENTIFIER:



4 PIN AND SOCKET PCB TAIL CONTACTS INSTALLED IN THE CONNECTOR ASSEMBLY.

3 FINISHES:

#12 PCB TAILS: TIN PLATE .000120" MIN THK. OVER NICKEL .00005" MIN THK.

#12 PIN CONTACT: GOLD PLATED .00003" MIN THK. OVER NICKEL .00005" MIN THK.

#20 SOCKET BODY: GOLD PLATED .00001" MIN THK. OVER NICKEL .00004" MIN THK.

2 MATERIALS:

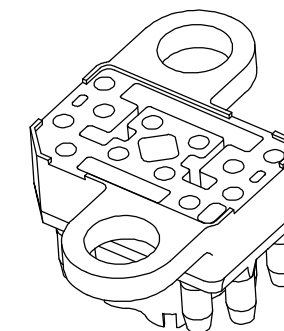
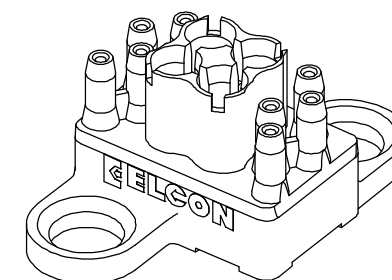
INSULATORS: THERMOPLASTIC, GLASS REINFORCED, COLOR-BLACK, UL94V-0 FLAMMABILITY RATED. OR LCP, 30% GLASS REINFORCED.

#12 PIN CONTACT, PCB TAIL: BRASS ALLOY.

#20 SOCKET BODY, PCB TAIL: LEADED COPPER OR BRASS ALLOY.

CROWN BANDS: BERYLLIUM COPPER.

1. PART NUMBER CHANGES AND OR DESIGN CHANGES AFFECTING ITEM INTERCHANGEABILITY REQUIRE PRIOR ELCON APPROVAL AND AUTHORIZATION BY REVISION TO THIS DRAWING.



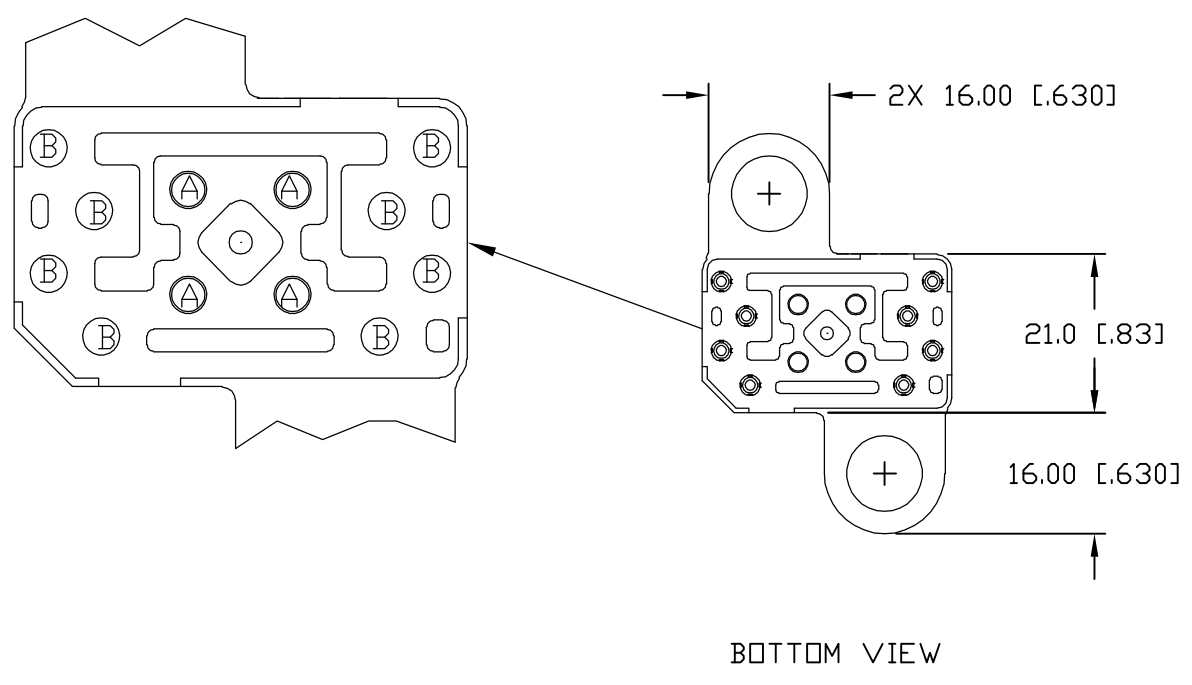
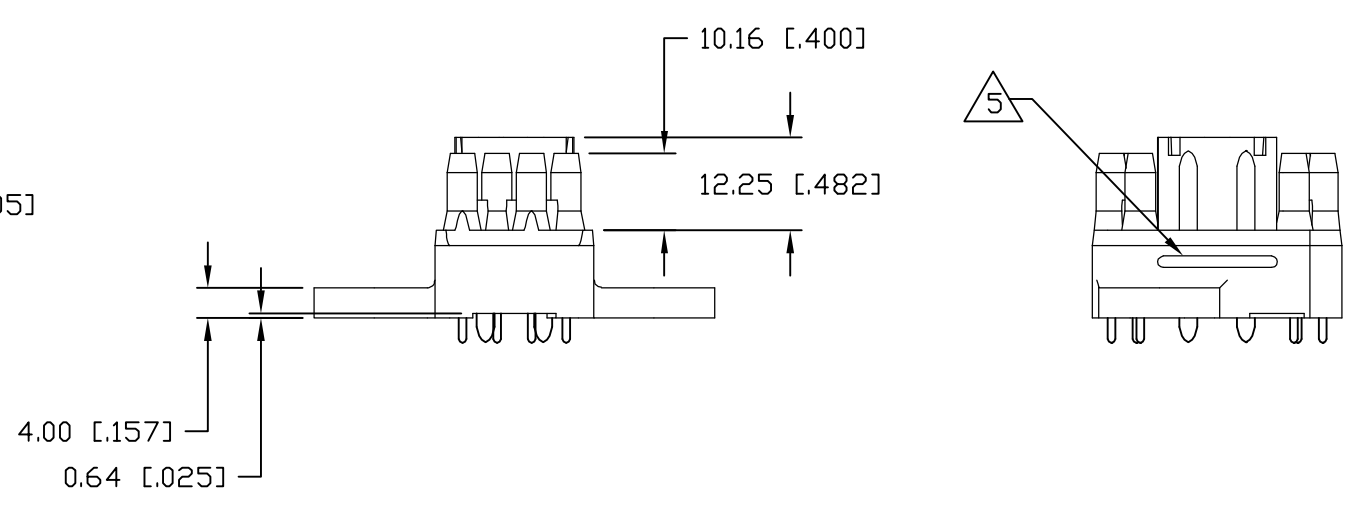
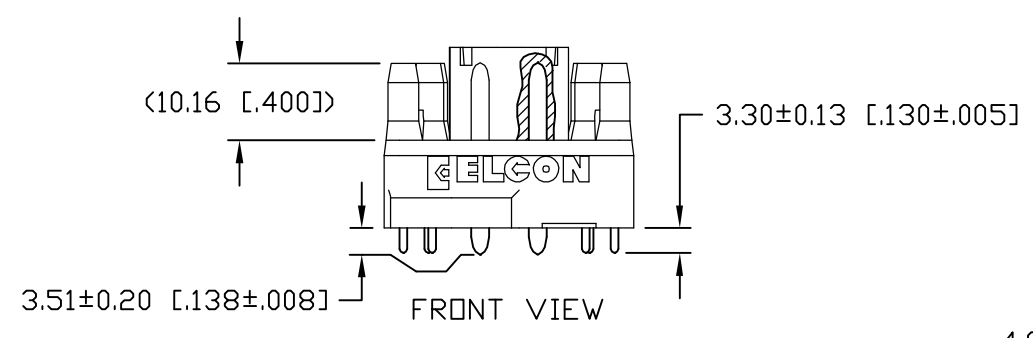
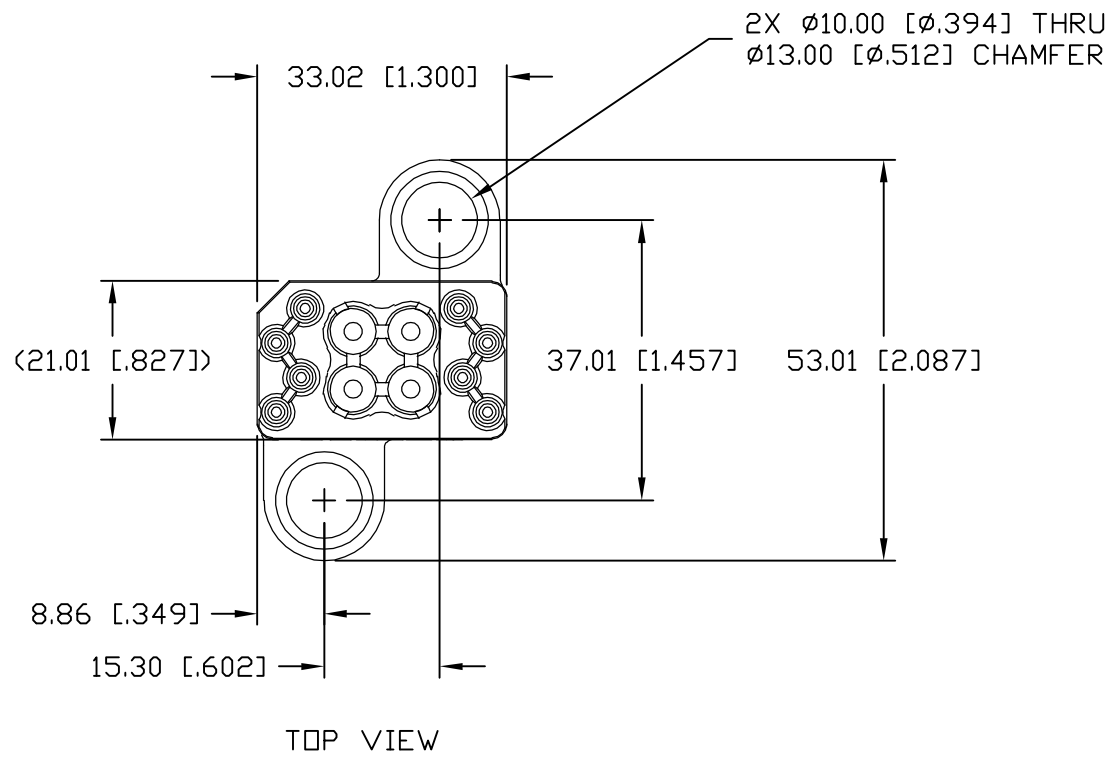
VIEW SHOWN WITHOUT CONTACTS

1	1648915-1	HOUSING, PCB SIDE, FRONT	C
8	1648366-1	SA CONTACT, SOCKET, #20, PCB TAIL, GOLD	B
4	1766907-1	CONTACT, PIN, #12, PCB TAIL, STAMP	A
-1	PART NUMBER	DESCRIPTION	ITEM

THIS DRAWING IS A CONTROLLED DOCUMENT.		DWN 09AUG2006 R.GRZYBOWSKI	Tyco Electronics Corporation Harrisburg, PA 17105-3608	
DIMENSIONS: mm		CHK 09AUG06 S.FLICKINGER	NAME CUSTOMER DRAWER, PD-P4S8 STRAIGHT CONNECTOR, PCB SIDE	
TOLERANCES UNLESS OTHERWISE SPECIFIED: 0 PLC ± - 1 PLC ± .5 [.02] 2 PLC ± .25 [.010] 3 PLC ± - 4 PLC ± - ANGLES ± .5		APVD 09AUG06 S.FLICKINGER	PRODUCT SPEC APPLICATION SPEC	
MATERIAL	FINISH	WEIGHT	SIZE A3	CAGE CODE 00779
			DRAWING NO C-6643735	RESTRICTED TO
		CUSTOMER DRAWING	SCALE 1:1	SHEET 1 OF 3
			REV A	

THIS DRAWING IS UNPUBLISHED. RELEASED FOR PUBLICATION
 © COPYRIGHT - BY TYCO ELECTRONICS CORPORATION. ALL RIGHTS RESERVED.

LOC	DIST	REVISIONS			
P	LTR	DESCRIPTION	DATE	DWN	APVD
GP	00	SEE SHEET 1	-	-	-



THIS DRAWING IS A CONTROLLED DOCUMENT.		DWN R.GRZYBOWSKI 09AUG2006	Tyco Electronics Corporation Harrisburg, PA 17105-3608		
DIMENSIONS: mm		CHK S.FLICKINGER 09AUG06	NAME		
TOLERANCES UNLESS OTHERWISE SPECIFIED:		APVD S.FLICKINGER 09AUG06	CUSTOM DRAWER, PD-P4S8 STRAIGHT CONNECTOR, PCB SIDE		
<ul style="list-style-type: none"> 0 PLC ± - 1 PLC ± .5 [.02] 2 PLC ± .25 [.010] 3 PLC ± - 4 PLC ± - ANGLES ± .5 		PRODUCT SPEC -	APPLICATION SPEC -	SIZE A3	CAGE CODE 00779
MATERIAL -		FINISH -	WEIGHT -	DRAWING NO C-6643735	RESTRICTED TO -
CUSTOMER DRAWING			SCALE 1:1	SHEET 2 OF 3	REV A

THIS DRAWING IS UNPUBLISHED.

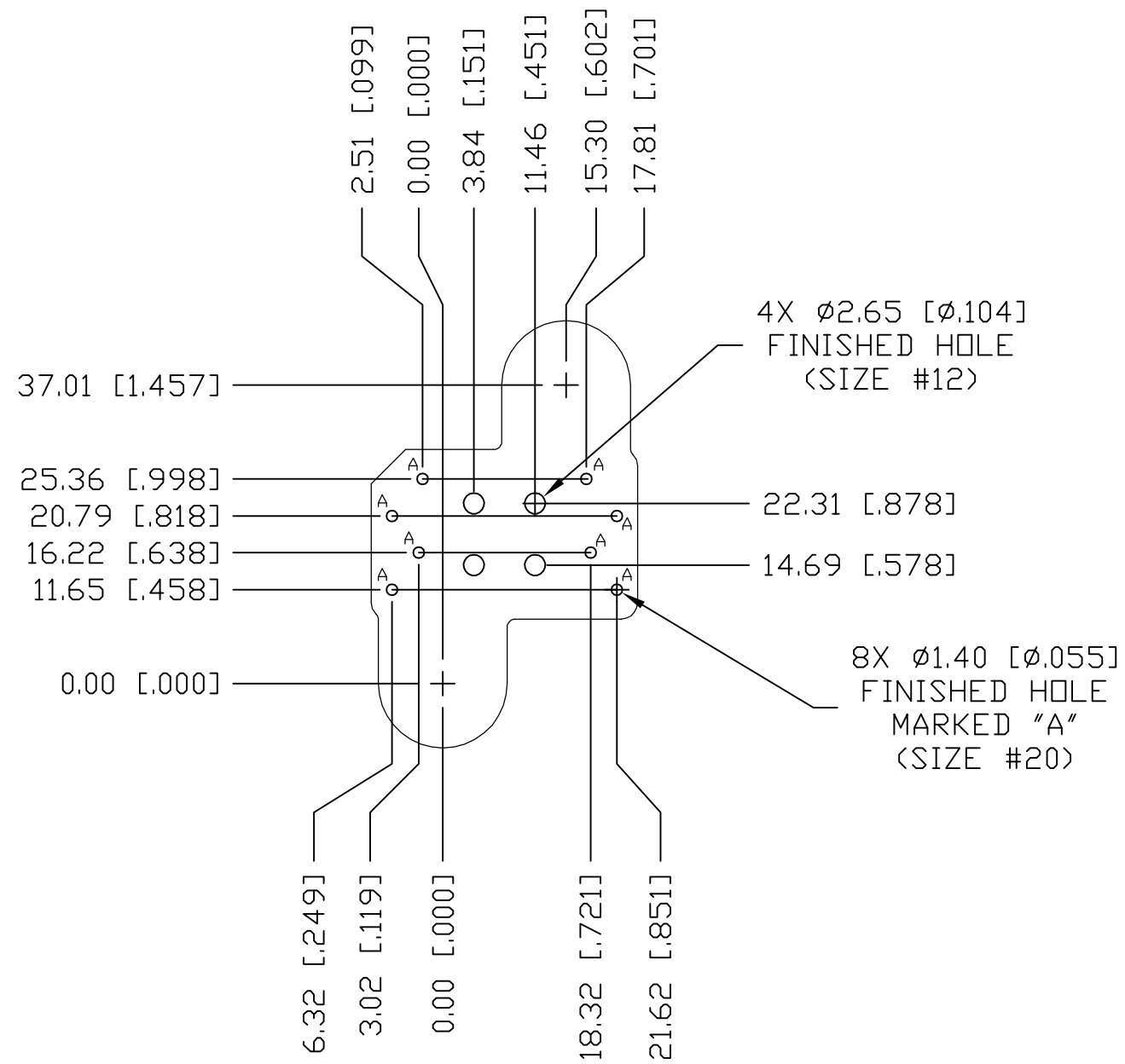
RELEASED FOR PUBLICATION

© COPYRIGHT - BY TYCO ELECTRONICS CORPORATION. ALL RIGHTS RESERVED.

LOC GP DIST 00

REVISIONS

P	LTR	DESCRIPTION	DATE	DWN	APVD
-	-	SEE SHEET 1	-	-	-



SUGGESTED PCB LAYOUT
(VIEWED FROM CONNECTOR MOUNTING SIDE)

THIS DRAWING IS A CONTROLLED DOCUMENT.		DWN R.GRZYBOWSKI 09AUG2006	Tyco Electronics Corporation Harrisburg, PA 17105-3608		
DIMENSIONS: mm		CHK S.FLICKINGER 09AUG06	NAME		
TOLERANCES UNLESS OTHERWISE SPECIFIED:		APVD S.FLICKINGER 09AUG06	CUSTOM DRAWER, PD-P4S8 STRAIGHT CONNECTOR, PCB SIDE		
0 PLC ± - 1 PLC ± .5 [.02] 2 PLC ± .25 [.010] 3 PLC ± - 4 PLC ± - ANGLES ± .5		PRODUCT SPEC -	RESTRICTED TO -		
MATERIAL -		APPLICATION SPEC -	SIZE A3	CAGE CODE 00779	DRAWING NO C-6643735
FINISH -		WEIGHT -	SCALE 1:1		SHEET 3 OF 3
CUSTOMER DRAWING			REV A		

X-ON Electronics

Largest Supplier of Electrical and Electronic Components

Click to view similar products for [Bench Top Tools](#) category:

Click to view products by [TE Connectivity](#) manufacturer:

Other Similar products are found below :

[63801-7271](#) [5-690451-2](#) [570416-000](#) [59737-3](#) [6-1372442-6](#) [6-21084-7](#) [6-2119582-2](#) [63801-4462](#) [63801-7269](#) [639029070](#) [679527-1](#) [68284-1](#) [690223-2](#) [691530-1](#) [7-18023-8](#) [768514-1](#) [768539-1](#) [768597-1](#) [809696-1](#) [810408](#) [811070-1](#) [819347-1](#) [852772-1](#) [853858-1](#) [854130-1](#) [854178-1](#) [854946-1](#) [854946-2](#) [856189-1](#) [904262-1](#) [904449-1](#) [9-1633962-3](#) [9-1633962-4](#) [9-1633962-5](#) [9-22279-4](#) [9-22280-9](#) [970609-000](#) [986096-2](#) [1-1901695-2](#) [1-1901696-2](#) [992438-3](#) [1-1976053-3](#) [1-2119644-2](#) [1-2119644-3](#) [1-2119791-1](#) [1-25022-4](#) [125327-000](#) [122760-1](#) [1-23470-5](#) [126379-1](#)