

4

3

2

1

This drawing involves proprietary design rights of Tyco Electronics Corporation, and all design, manufacture, reproduction, use and sale rights regarding the same are expressly reserved. It is submitted for a specific purpose and the recipient by accepting this drawing, assumes custody and control and agrees to take reasonable precautions: (a) that this drawing will not be copied and reproduced, in whole or in part, or its contents revealed in any manner, or to any person except to meet the purpose for which it was delivered and (b) that any special features peculiar to this design will not be incorporated in other projects without the expressed written permission of Tyco Electronics Corporation.

REVISIONS			
EC	REV	DESCRIPTION	DATE
CPR	A	NEW RELEASE	11/28/05

7 ITEM PROVIDED TO THIS SPECIFICATION TO BE PERMANENTLY IDENTIFIED PER THE FOLLOWING IDENTIFIER:



6. REFERENCE DIMENSION (X.XX) IS WITHOUT TOLERANCE AND USED FOR INFORMATION ONLY.

5 MOUNTING HARDWARE: SHOULDER SCREW REF. ELCON PN 903-0134-02113 TO BE ORDERED SEPARATELY. SHOWN FOR REFERENCE ONLY.

4 PIN CRIMP CONTACTS TO BE PACKAGED SEPARATELY AND SHIPPED LOOSE WITH THE CONNECTOR ASSEMBLY.

3. FINISHES:
 SIZE #16 CRIMP CONTACTS: SILVER PLATED.
 SIZE #20 CRIMP CONTACTS: GOLD PLATED.
 CROWN BANDS: GOLD PLATED.

2. MATERIALS:
 HOUSINGS: THERMOPLASTIC, GLASS REINFORCED,
 UL94V-0 FLAMMABILITY RATED, COLOR-BLACK.
 PIN CONTACTS: TELLURIUM COPPER ALLOY
 SOCKET CONTACTS: LEAD COPPER
 CROWN BANDS: BERYLLIUM COPPER
 RETENTION CLIPS: BERYLLIUM COPPER OR STAINLESS STEEL

1. PART NUMBER CHANGES AND/OR DESIGN CHANGES AFFECTING ITEM INTERCHANGEABILITY REQUIRE PRIOR ELCON APPROVAL AND AUTHORIZATION BY REVISION TO THIS DRAWING.

NOTES: UNLESS OTHERWISE SPECIFIED

TABLE - PIN CONNECTOR PN 6643738-1			
PART NUMBER	DESCRIPTION	POSITION	QTY
1648686-1	HOUSING, PIN, FRONT	N/A	1
1648687-1	HOUSING, PIN, REAR INSERT	N/A	1
1650483-1	RETENTION CLIP, #16	1-6, 19-24	12
1650484-1	RETENTION CLIP, #20	7-18	12
1766841-1	SCREW, SELF TAPPING, Ø2.5 X 10.00mm LONG	N/A	2
1766194-1	CONTACT, PIN #16, CRIMP, STD	1-6, 19-24	12
1650155-1	CONTACT, PIN, #20, CRIMP, STD	7-18	12

 THIRD ANGLE PROJECTION	DRAWN MC CANT/M. ALIM	DATE 11/28/05	Tyco Electronics Corporation Menlo Park, Ca 94025		
	CHECKED		TITLE CONNECTOR, PIN P12S12 MINI DRAWER PN 6643738-1		
UNLESS OTHERWISE SPECIFIED DIMENSIONS ARE IN METRIC [INCHES]	APPROVED		SIZE		DWG NUMBER
TOLERANCES	APPROVED		B		C = 6643738
ANGLES ± .5°	D. CHAU	11/28/05	REV.		A
DECIMALS	DCA APPROVED	11/28/05	ACAD FILE NUMBER		C6643738A.DWG
.XX ± .25 [.010]			DWG SCALE		1=1
.X ± .5 [.020]			SH		1 OF 4

4

3

2

1

This drawing involves proprietary design rights of Tyco Electronics Corporation, and all design, manufacture, reproduction, use and sale rights regarding the same are expressly reserved. It is submitted for a specific purpose and the recipient by accepting this drawing, assumes custody and control and agrees to take reasonable precautions: (a) that this drawing will not be copied and reproduced, in whole or in part, or its contents revealed in any manner, or to any person except to meet the purpose for which it was delivered and (b) that any special features peculiar to this design will not be incorporated in other projects without the expressed written permission of Tyco Electronics Corporation.

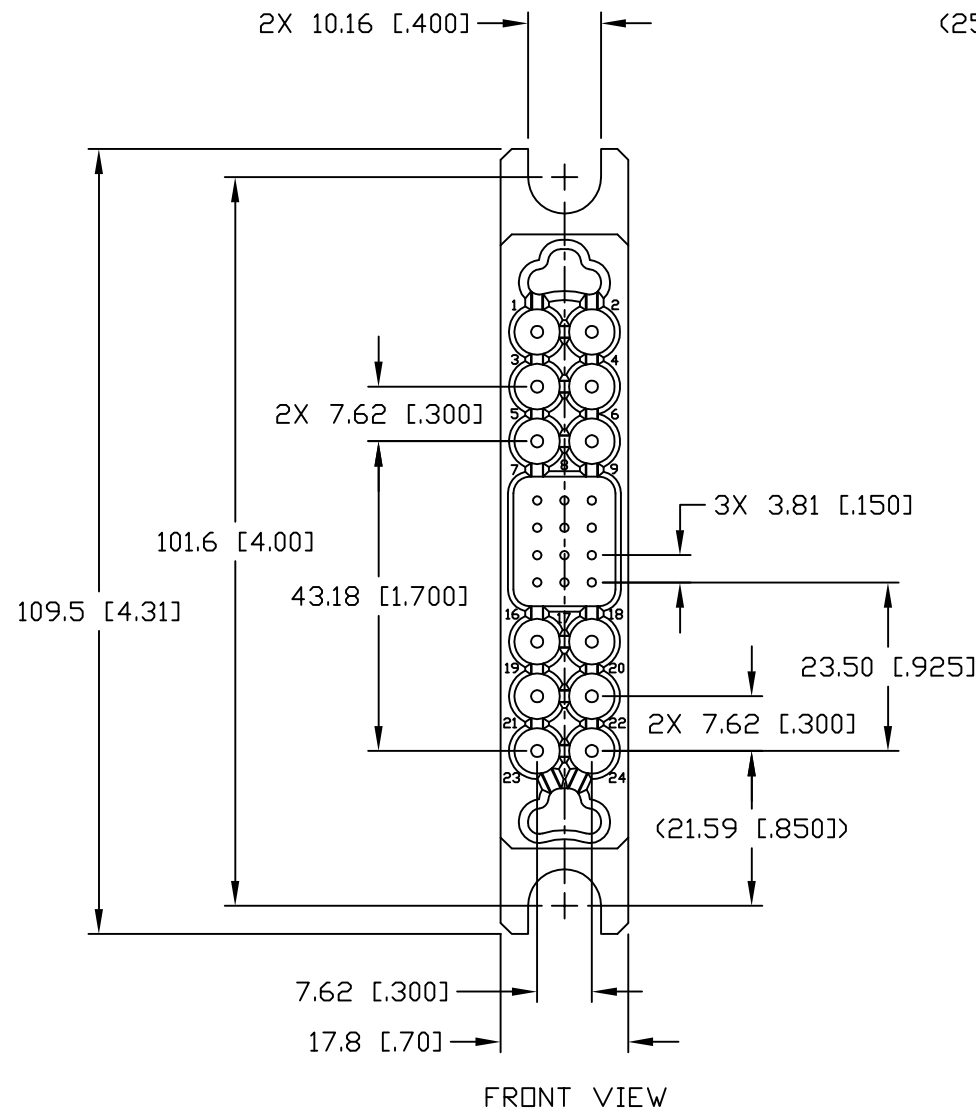
REVISIONS			
EC	REV	DESCRIPTION	DATE
		SEE SHEET 1	

B

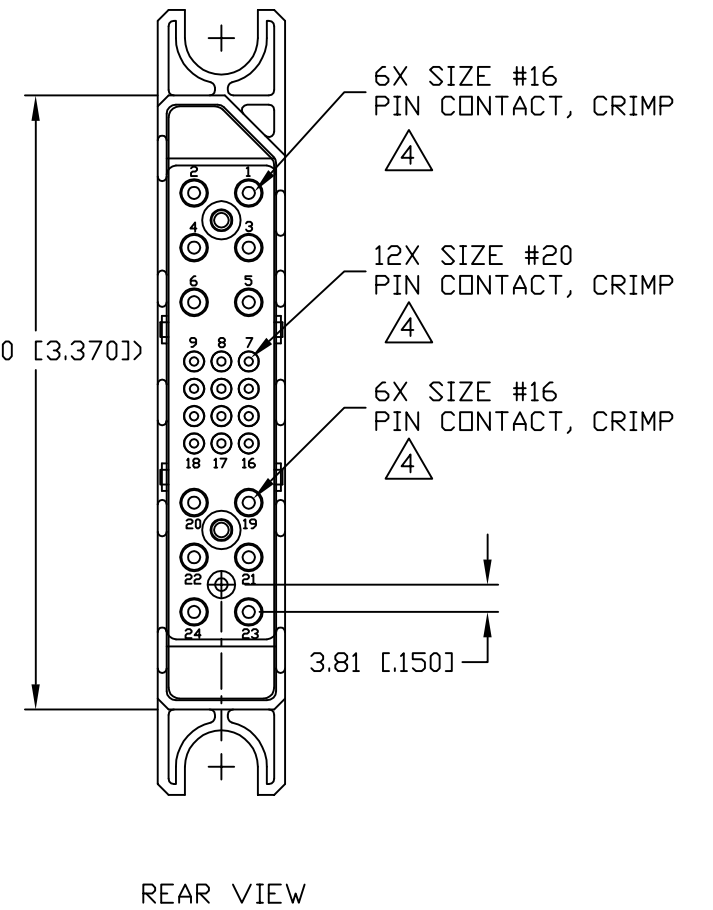
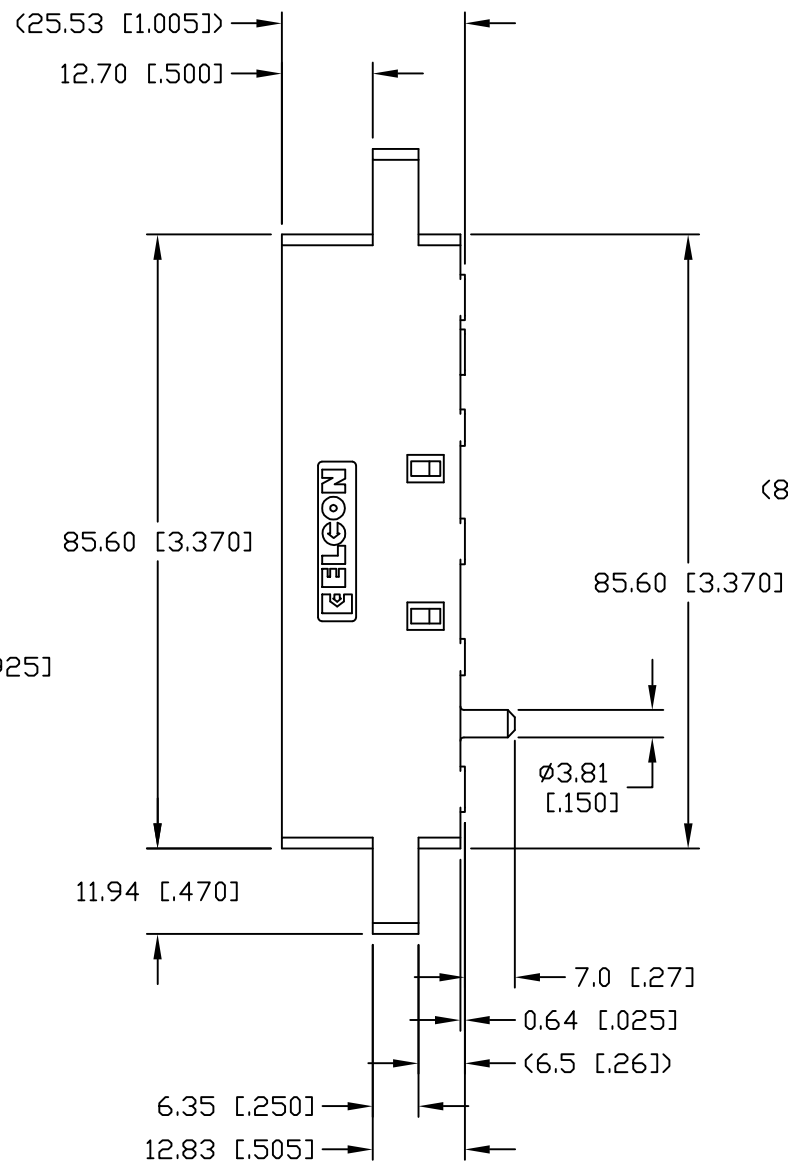
B

A

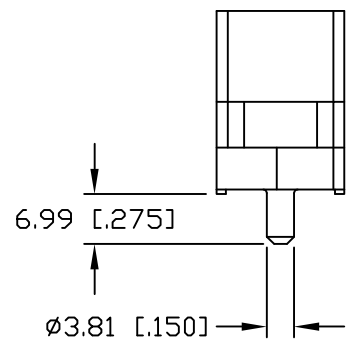
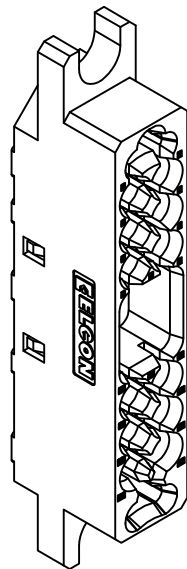
A



FRONT VIEW



REAR VIEW



<p>THIRD ANGLE PROJECTION</p> <p>UNLESS OTHERWISE SPECIFIED DIMENSIONS ARE IN METRIC [INCHES]</p> <p>TOLERANCES</p> <p>ANGLES ± .5°</p> <p>DECIMALS</p> <p>.XX ± .25 [.010]</p> <p>.X ± .5 [.020]</p>	<p>DRAWN</p> <p>MC CANT/M. ALIM</p>	<p>DATE</p> <p>11/28/05</p>	<p>tyco Tyco Electronics Corporation Electronics Menlo Park, Ca 94025</p>		<p>TITLE</p> <p>CONNECTOR, PIN P12S12 MINI DRAWER PN 6643738-1</p>
	<p>CHECKED</p>		<p>SIZE</p> <p>B</p>	<p>DWG NUMBER</p> <p>C = 6643738</p>	
	<p>APPROVED</p>		<p>APPROVED</p> <p>D. CHAU</p> <p>11/28/05</p>	<p>REV.</p> <p>A</p>	
	<p>APPROVED</p> <p>M. ALIM</p> <p>11/28/05</p>	<p>ACAD FILE NUMBER</p> <p>C6643738A.DWG</p>	<p>DWG SCALE</p> <p>1=1</p>		<p>SH 2 OF 4</p>

4

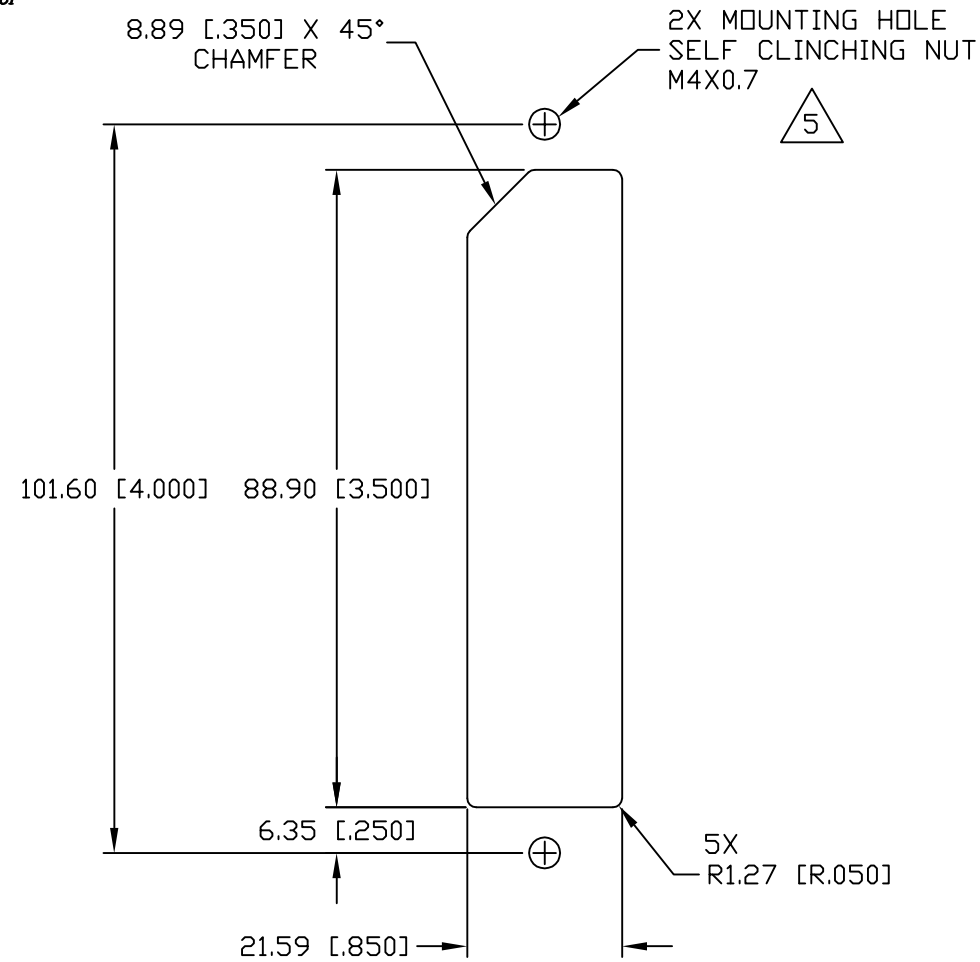
3

2

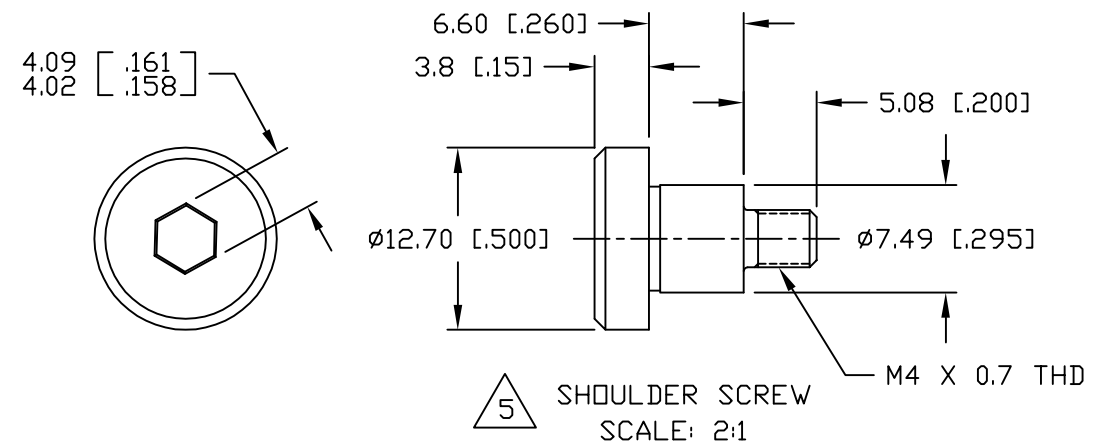
1

This drawing involves proprietary design rights of Tyco Electronics Corporation, and all design, manufacture, reproduction, use and sale rights regarding the same are expressly reserved. It is submitted for a specific purpose and the recipient by accepting this drawing, assumes custody and control and agrees to take reasonable precautions: (a) that this drawing will not be copied and reproduced in whole or in part, or its contents revealed in any manner, or to any person except to meet the purpose for which it was delivered and (b) that any special features peculiar to this design will not be incorporated in other projects without the expressed written permission of Tyco Electronics Corporation.

REVISIONS			
EC	REV	DESCRIPTION	DATE
		SEE SHEET 1	



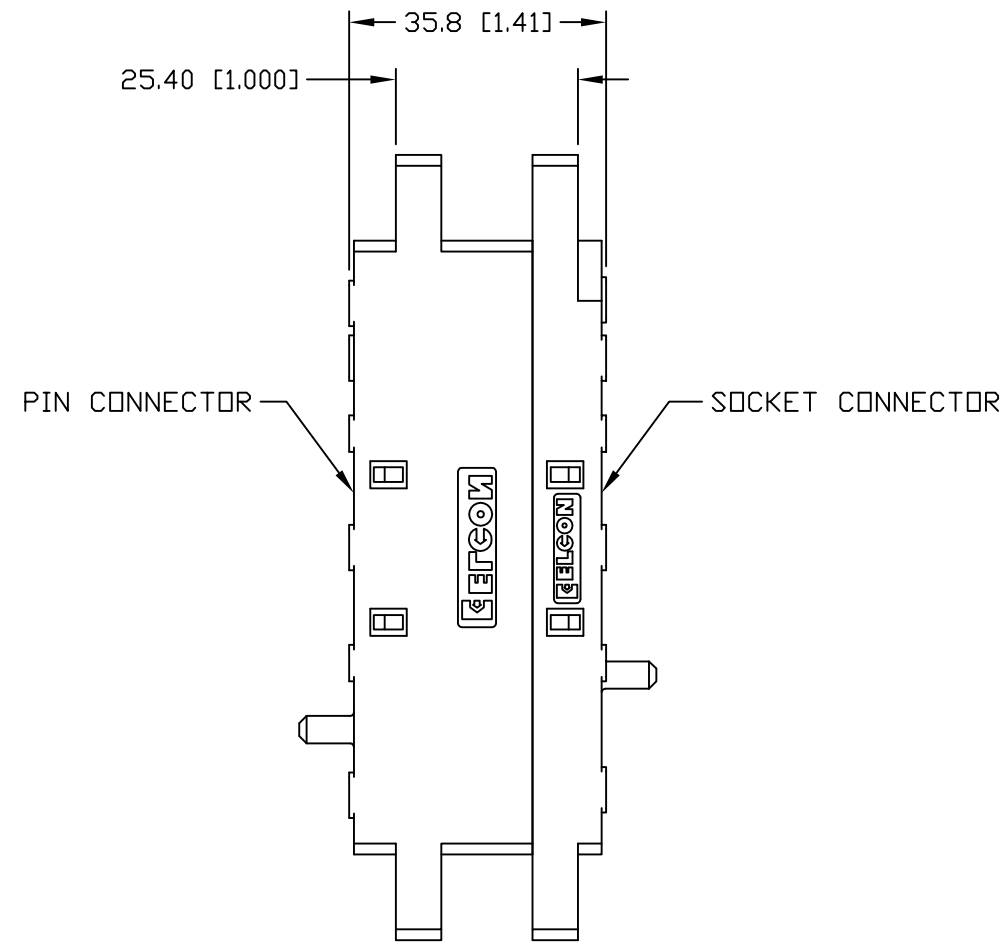
SUGGESTED PANEL CUTOUT
VIEWED FROM CONNECTOR MOUNTING SIDE



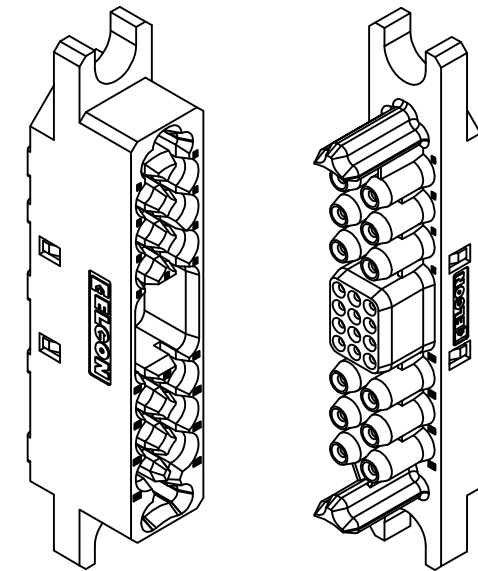
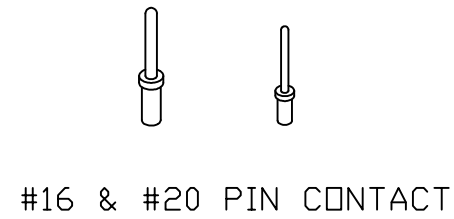
<p>THIRD ANGLE PROJECTION</p> <p>UNLESS OTHERWISE SPECIFIED DIMENSIONS ARE IN METRIC [INCHES]</p> <p>TOLERANCES</p> <p>ANGLES ± .5°</p> <p>DECIMALS</p> <p>.XX ± .25 [.010]</p> <p>.X ± .5 [.020]</p>	<p>DRAWN</p> <p>MC CANT/M. ALIM</p>	<p>DATE</p> <p>11/28/05</p>	<p>tyco Tyco Electronics Corporation Electronics Menlo Park, Ca 94025</p>		<p>TITLE</p> <p>CONNECTOR, PIN P12S12 MINI DRAWER PN 6643738-1</p>	
	<p>CHECKED</p>		<p>SIZE</p> <p>B</p>	<p>DWG NUMBER</p> <p>C = 6643738</p>		<p>REV.</p> <p>A</p>
	<p>APPROVED</p>	<p>D. CHAU</p>	<p>11/28/05</p>			
	<p>APPROVED</p>	<p>M. ALIM</p>	<p>11/28/05</p>			
<p>ACAD FILE NUMBER C6643738A.DWG</p>			<p>DWG SCALE 1=1</p>	<p>SH 3 OF 4</p>		

This drawing involves proprietary design rights of Tyco Electronics Corporation, and all design, manufacture, reproduction, use and sale rights regarding the same are expressly reserved. It is submitted for a specific purpose and the recipient by accepting this drawing, assumes custody and control and agrees to take reasonable precautions; (a) that this drawing will not be copied and reproduced, in whole or in part, or its contents revealed in any manner, or to any person except to meet the purpose for which it was delivered and (b) that any special features peculiar to this design will not be incorporated in other projects without the expressed written permission of Tyco Electronics Corporation.

REVISIONS			
EC	REV	DESCRIPTION	DATE
		SEE SHEET 1	



MATED CONDITION



<p>THIRD ANGLE PROJECTION</p> <p>UNLESS OTHERWISE SPECIFIED DIMENSIONS ARE IN METRIC [INCHES]</p> <p>TOLERANCES</p> <p>ANGLES ± .5°</p> <p>DECIMALS</p> <p>.XX ± .25 [.010]</p> <p>.X ± .5 [.020]</p>	<p>DRAWN</p> <p>MC CANT/M. ALIM</p>	<p>DATE</p> <p>11/28/05</p>	<p>tyco Tyco Electronics Corporation ELCON</p> <p>Menlo Park, Ca 94025</p>	
	CHECKED		TITLE	
	APPROVED		USER INFORMATION AND MATED CONDITION	
	APPROVED		PN 6643738-1	
	D. CHAU	11/28/05	SIZE	DWG NUMBER
	DCA APPROVED		B	C = 6643738
	M. ALIM	11/28/05		REV. A
	ACAD FILE NUMBER	C6643738A.DWG	DWG SCALE	1=1 SH 4 OF 4

X-ON Electronics

Largest Supplier of Electrical and Electronic Components

Click to view similar products for [Heavy Duty Power Connectors](#) category:

Click to view products by [TE Connectivity](#) manufacturer:

Other Similar products are found below :

[1424439](#) [1424438](#) [09330062652](#) [2-8675P1](#) [605601-1](#) [6340G1](#) [6341G1](#) [6360G1](#) [6373G1](#) [6374g2](#) [6396G1](#) [647757-1](#) [66394-4](#) [6643411-1](#)
[6646058-2](#) [6646137-1](#) [6646138-1](#) [6646348-1](#) [6646479-1](#) [6646608-1](#) [6646786-1](#) [6646940-1](#) [6651091-1](#) [6651525-1](#) [6651529-1](#) [6651778-1](#)
[6651788-1](#) [696465-1](#) [696475-1](#) [73000005059](#) [73000005349](#) [73000005642](#) [73080255059](#) [73080965046](#) [765-15-0080A](#) [765-16-0080B](#)
[789.700-44](#) [789.700-54](#) [80-1010](#) [80-9](#) [827381-1](#) [829992-1](#) [902-77-02113](#) [PL00U-301-10D10](#) [PM103MOOLOO](#) [PM16S1620S32-50](#)
[PM212MOOLOO](#) [PM309FOOLOO](#) [PM324FOOLCH](#) [PMHPAF11S03](#)